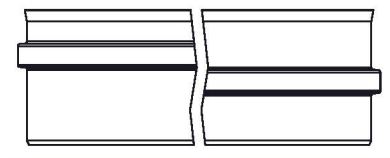
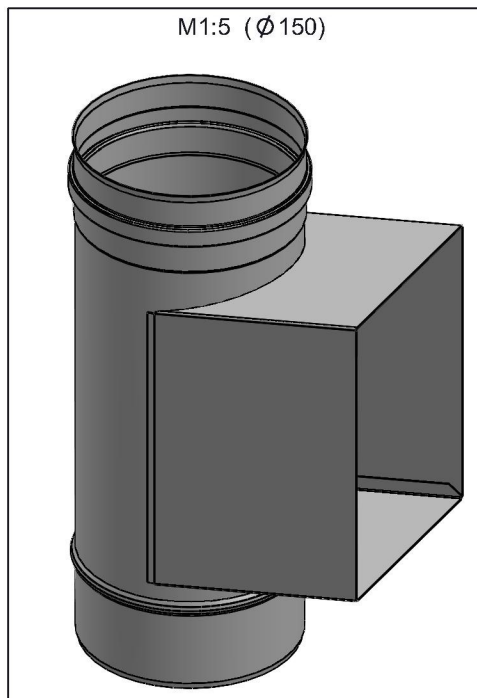
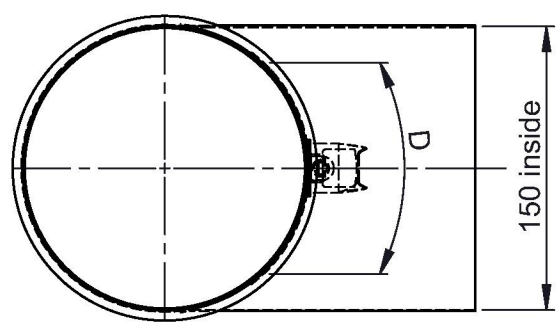
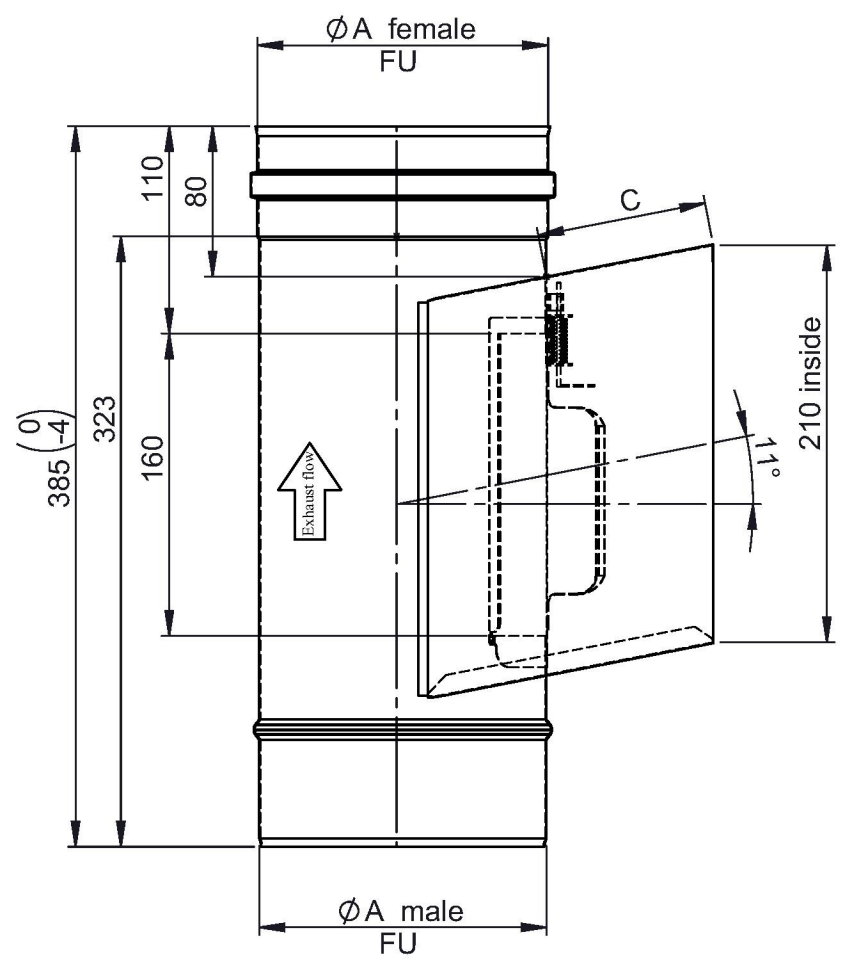


Possible type of female part "FU"



A
B
C
D
E
F



Ø					150	160	180													
A					150	160	180													
C																				90
D																				
kg																				
					1,4	1,4	1,5													

notes:

DIN ISO 13920 Tolerances B	
revisions-no.	03
date	29.11.22
name	AKO
checked by	JAD
approved by	JWY
modified by	

Jeremias[®]
CHIMNEY SYSTEMS

description: Inspection length (up to 600°C/N1), square door with box 210x140mm

code: **FU 07K**

drawing-no.: **01-020-1510-000**

scale	1:4
format	A4
sheet	3 of 3