

A

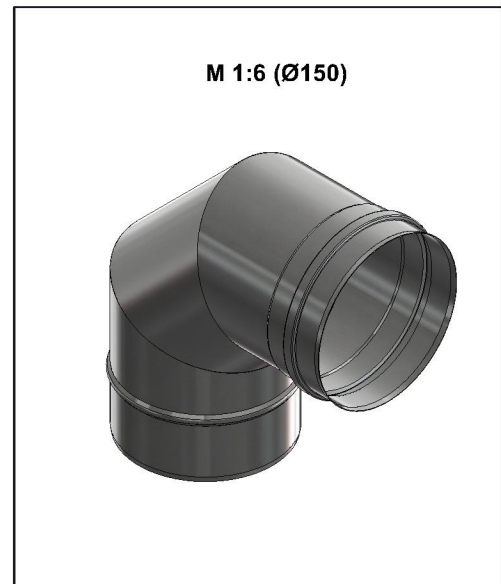
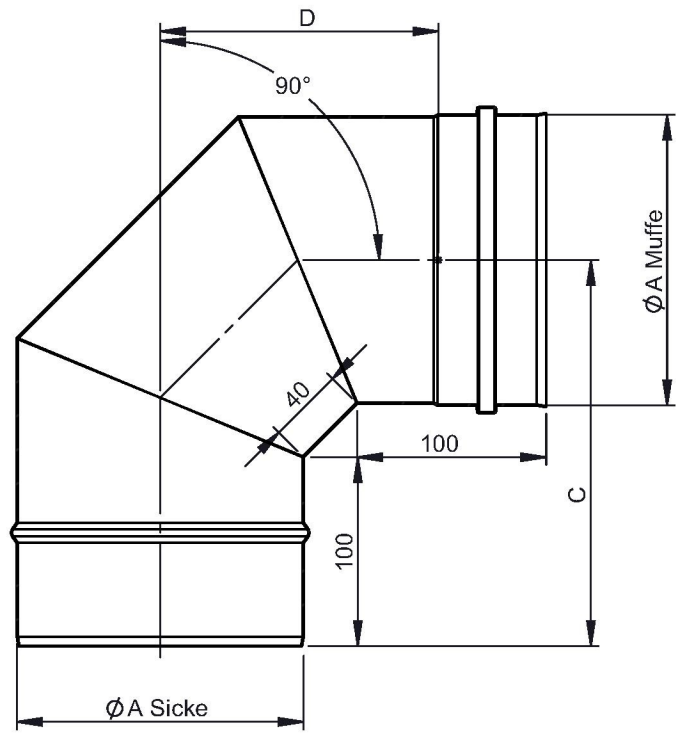
B

C

D

E

F



Ø				115	120		130		150	160	180									
A				115	120		130		150	160	180									
C				186	189		194		204	209	219									
D				129	132		137		147	152	162									
kg				0,61	0,64		0,71		0,86	0,93	1,09									

notes:

DIN ISO 13920 Tolerances B	
revisions-no.	A3
	mm / kg
date	name
drawn by	09.11.2017 KAB
checked by	
approved by	
modified by	24.03.2021 TRA

**Jeremias**<sup>®</sup>  
CHIMNEY SYSTEMS

description **Winkel 90° starr**

code **FU0629N150 Ø**

drawing-no. **01-01-20-6250-000**

scale	1:4
format	A4
sheet	1 of 1