

A

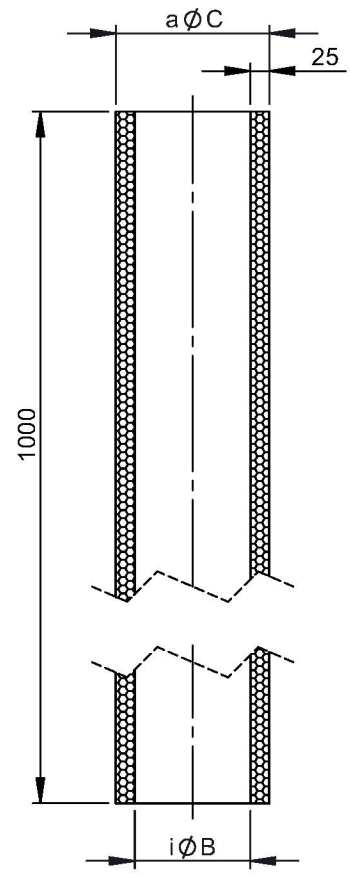
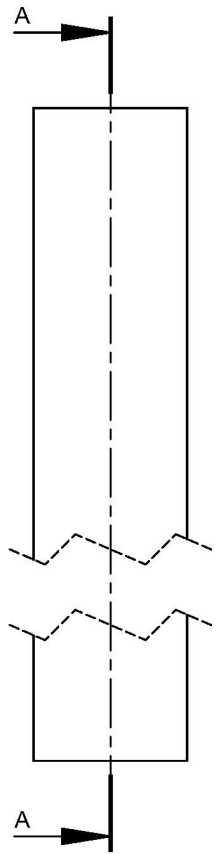
B

C

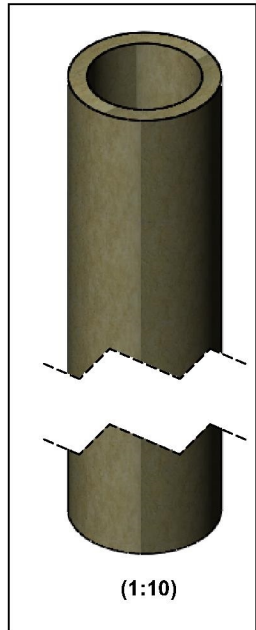
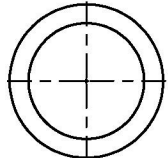
D

E

F



A-A



Ø			0115	0120	0130		0150	0160	0180									
B			116	123	133		153	163	183									
C			166	173	183		203	213	233									
t	25																	
kg			1,09	1,16	1,24		1,40	1,48	1,63									

material: Isover		surface:		revisions-no. A1				Scale 1:10	
				date 27.07.2015 name KAB				Format A4	
				checked		description FU 39-25 Isolierschale / Stärke 25mm		Sheet 1	
				checked		code FU 39-25			
A1		31.07.2015		OSP		drawing-no.			
revision		date		name		All rights reserved!			