

A

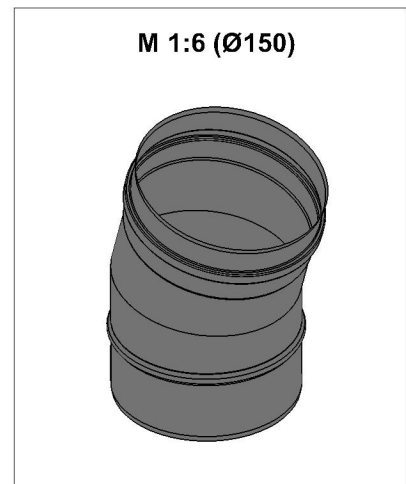
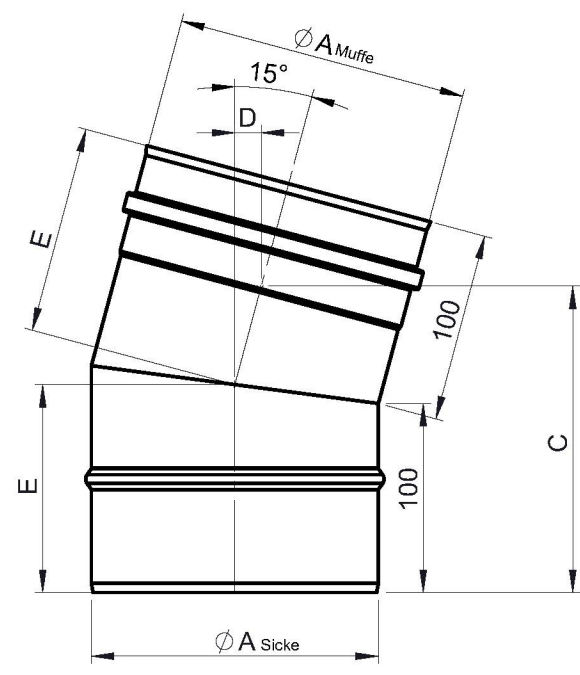
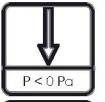
B

C

D

E

F



∅				<b>115</b>	<b>120</b>		<b>130</b>		<b>150</b>	<b>160</b>	<b>180</b>											
A				115	120		130		150	160	180											
C				157	157		158		161	162	165											
D				13				14														
kg				0,39	0,41		0,45		0,53	0,56	0,64											

notes:

DIN ISO 13920 Tolerances B	
revisions-no.	A2
	mm / kg
date	name
drawn by	20.11.2017 KAB
checked by	
approved by	
modified by	23.03.2021 TRA

**Jeremias**<sup>®</sup>  
CHIMNEY SYSTEMS

description **Winkel 15° starr**

code **FU0617N**

drawing-no. **01-01-20-6001-000**

scale	1:4
format	A4
sheet	1 of 1

© Jeremias GmbH. All rights reserved, also regarding any disposal, exploitation, editing, distribution, as well as in the event of applications for industrial property rights.