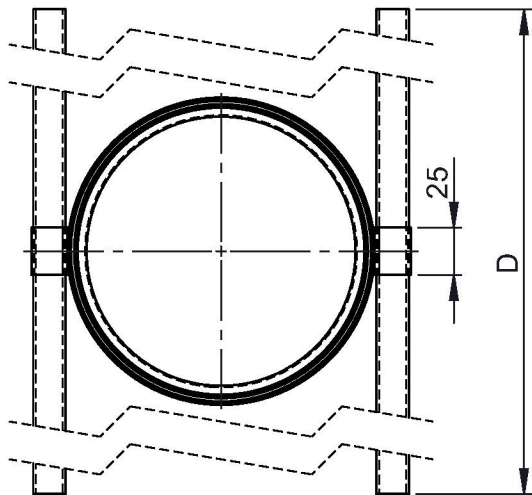
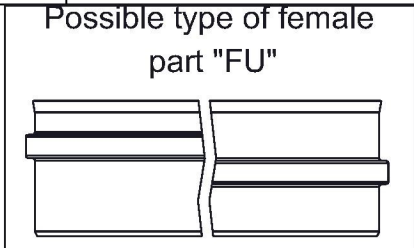
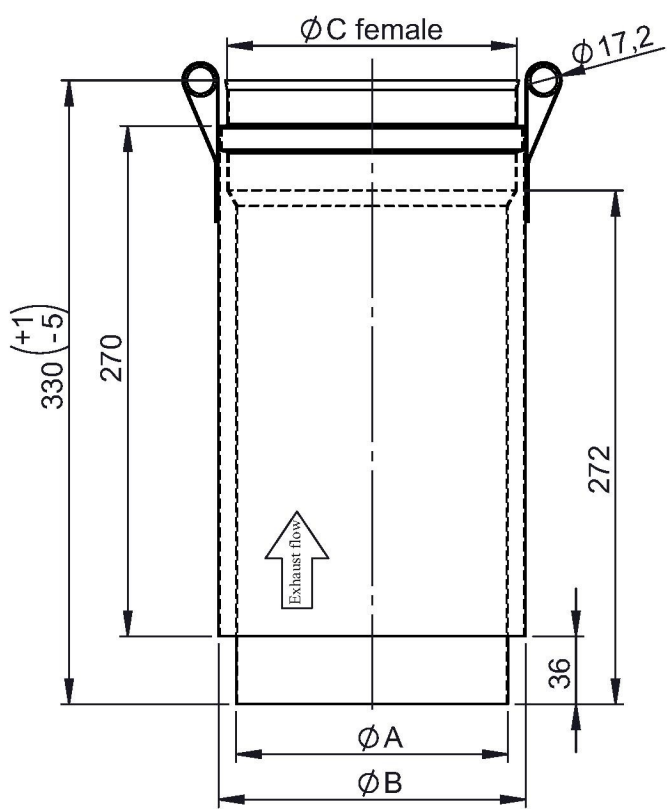
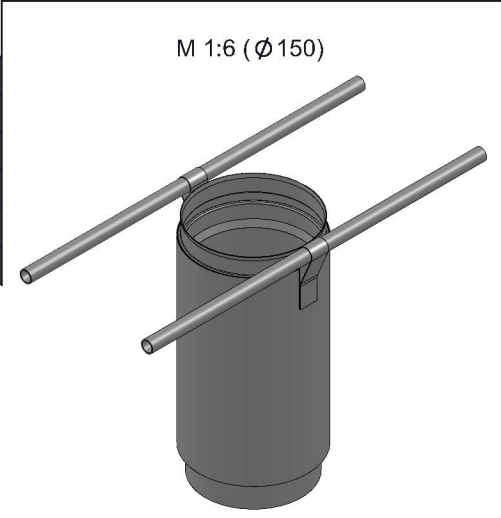


A
B
C
D
E
F



Ø			115	120	130		150	160	180	
A			109	114	124		144	154	174	
B			125	130	140		161	170	190	
C			115	120	130		150	160	180	
D	500									
kg			2,0	2,1	2,2		2,4	2,6	2,8	



notes:
ENCD

DIN ISO 13920 Tolerances B	
revisions-no. 02	mm / kg
date	name
drawn by 12.09.23	NSO
checked by 12.09.23	JAD
approved by 12.09.23	JWY
modified by 22.01.24	NSO

		scale 1:4
description Intermediate support for expansion compensation		format A4
code FU33Ø		sheet 1 of 1
drawing-no. 01-20-1200-000		