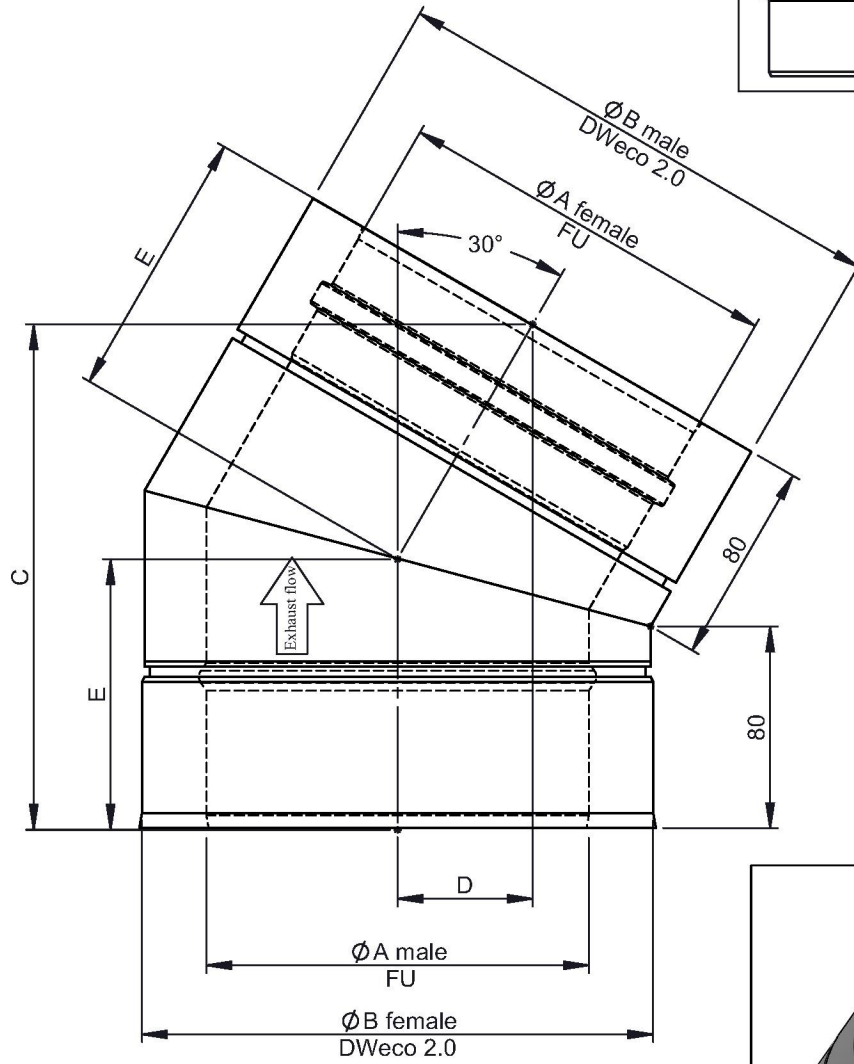
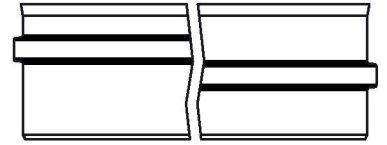
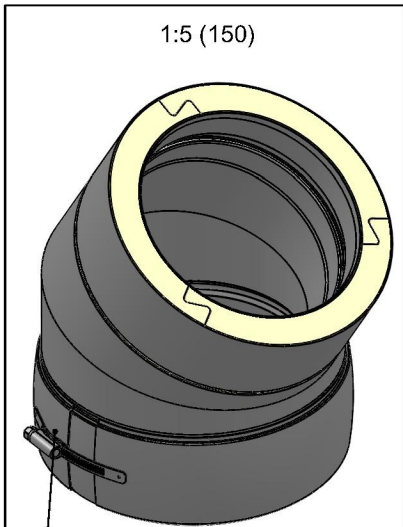


Possible type of female part "FU"



1:5 (150)




incl. System Clamp

Ø					130	150	160	180												
A					130	150	160	180												
B					180	200	210	230												
C					144	149	152	157												
D					23	24	25	26												
E					104	107	108	111												
kg					1,22	1,4	1,5	1,69												

notes:
ENCN

DIN ISO 13920 Tolerances B			
revisions-no.		mm / kg	
A1			
	date	name	
drawn by	25.10.19	JMA	
checked by	25.10.19	SWA	
approved by	25.10.19	JMA	
modified by			

 CHIMNEY SYSTEMS		description	Elbow 30°
		code	215-DWECO17
		drawing-no.	01-02-35-6050-205

scale	1:3
format	A4
sheet	1 of 1
