

A

B

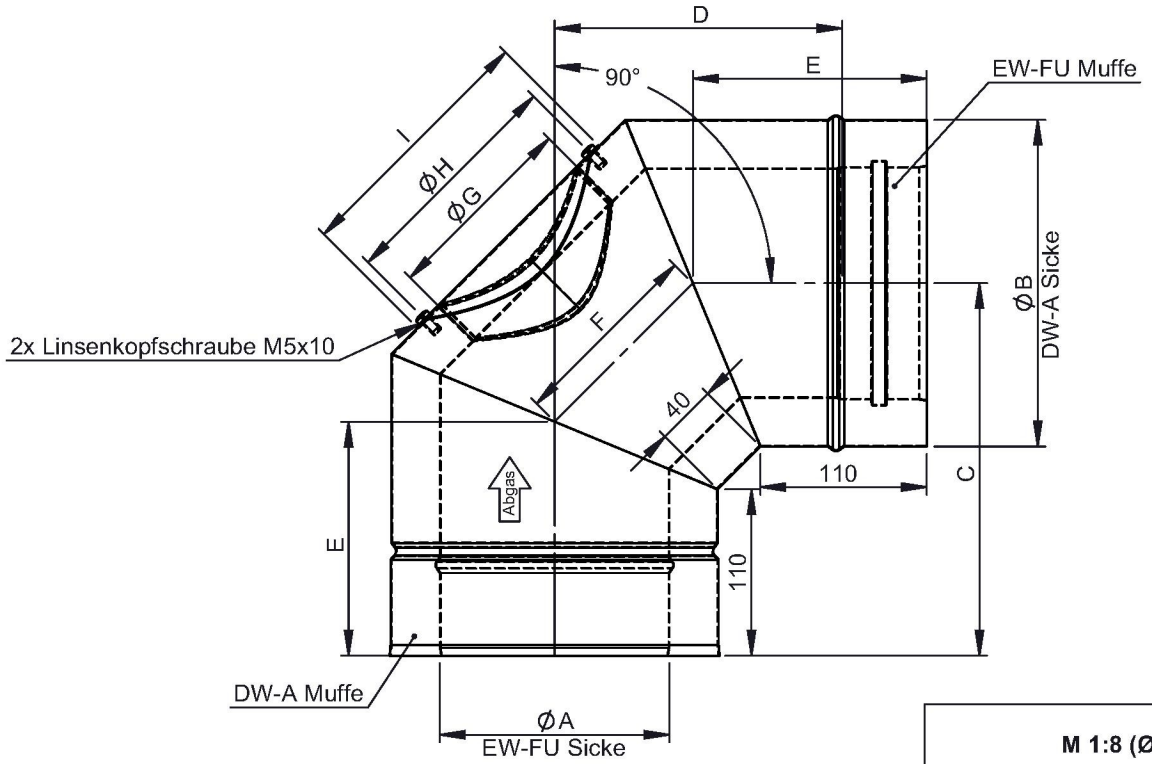
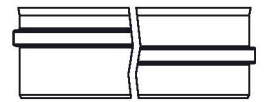
C

D

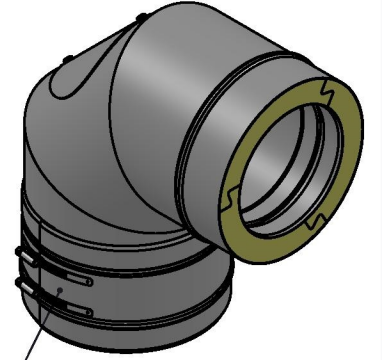
E

F

Ausführungsvarianten für Muffe Innenrohr



M 1:8 (∅150)



inkl. Systemklemmband

| | | | | | | | | | | | | | | | | | | | |
|----|--|--|--|--|--|--|--|--|-----|-----|-----|-----|--|--|--|--|--|--|--|
| ∅ | | | | | | | | | 130 | 150 | 160 | 180 | | | | | | | |
| A | | | | | | | | | 130 | 150 | 160 | 180 | | | | | | | |
| B | | | | | | | | | 195 | 215 | 225 | 245 | | | | | | | |
| C | | | | | | | | | 236 | 246 | 251 | 261 | | | | | | | |
| D | | | | | | | | | 180 | 190 | 195 | 205 | | | | | | | |
| E | | | | | | | | | 151 | 155 | 157 | 161 | | | | | | | |
| F | | | | | | | | | 121 | 129 | 134 | 142 | | | | | | | |
| G | | | | | | | | | 130 | | 150 | | | | | | | | |
| H | | | | | | | | | 155 | | 175 | | | | | | | | |
| I | | | | | | | | | 170 | | 190 | | | | | | | | |
| kg | | | | | | | | | 3,9 | 4,4 | 4,8 | 5,3 | | | | | | | |

© Jeremias GmbH. All rights reserved, also regarding any disposal, exploitation, as well as in the event of applications for industrial property rights.

| | | | | | | | | | |
|----------------|----------------------------|--|---------|-------------|---|--|-------------------|--|--------|
| notes: | DIN ISO 13920 Tolerances B | | | | Jeremias [®] CHIMNEY SYSTEMS | | scale | | |
| | revisions-no. | | mm / kg | | | | 1:5 | | |
| | A1 | | | | format | | A4 | | |
| | date | | name | | description | | sheet | | |
| | 28.09.2020 | | KSA | | Winkel 90° mit Revisionsöffnung mit Design Deckel (600°C/N1) | | 1 of 1 | | |
| | checked by | | | | | | code | | DW1228 |
| approved by | | | | drawing-no. | | | 01-02-20-6559-000 | | |
| modified by | | | | | | | | | |

