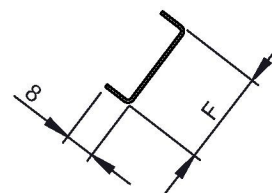
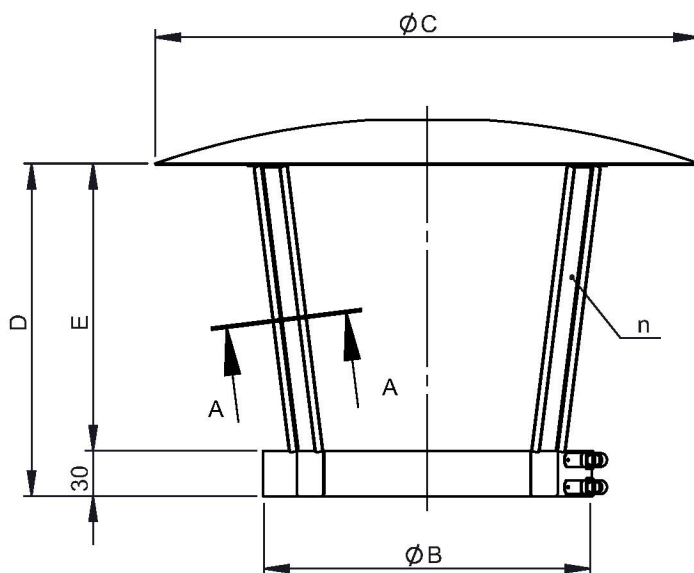
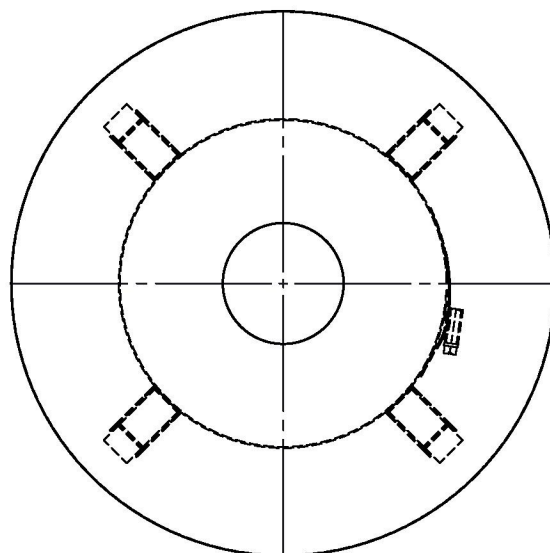


A

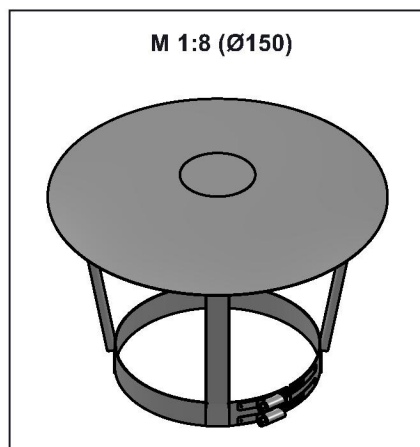


A-A (1 : 2)

C



D



E

\varnothing						130		150	160	180	
B						195		215	225	245	
C						330		360		410	
D						215		220		240	
E						185		190		210	
F						25					
n						4					
kg						1,1		1,2	1,2	1,5	

F

notes:

DIN ISO 13920 Tolerances B

revisions-no.

A1

mm / kg

date

13.07.2018

name

FBA

checked by

approved by

modified by

Jeremias[®]
CHIMNEY SYSTEMS

description Regenhaube

code DW33

drawing-no.

01-02-20-5100-000

scale

1:5

format

A4

sheet

1 of 1

