

Assembly instructions

Activity toys to be assembled by adults for outdoor domestic use.

Montageanleitung

Aktivitätsspielzeug zum Zusammenbauen durch Erwachsene für den Einsatz im häuslichen Außenbereich.

Instructions de montage

Jouets d'activité à assembler par des adultes pour une utilisation extérieure familial.

2

PART

Manual ID: 048_073_2611

Design code: **hK7bwd**

Product name: **Lagoon 2-Swing 3.0**

Product number: **211416**



Jungle Gym

BACKYARD PLAYGROUNDS

since 1988

Assembly time hours by 2 adults v2715		EN. Warning! Only for domestic use. Maximum number of users is 8. DE. Achtung! Nur für den Hausgebrauch. Maximale Benutzerzahl: 8. FR. Attention! Réserve à un usage familial. Le nombre maximal d'utilisateurs est de 8. BG. Внимание! За употреба само в домашни условия. Максималният брой потребители е 8. CS. Varování! Jen pro domácí použití. Maximální počet uživatelů je 8. DA. Advarsler! Kun til privat brug. Maksimum antal brugere er 8. EL. Προειδοποίησης! Μόνο για οικιακή χρήση. Μέγιστος αριθμός χρηστών 8. ES. Advertencias! Sólo para uso doméstico. Número máximo de usuarios: 8. ET. Hoiatused! Ainult koduseks kasutamiseks. Maksimaalne kasutajate arv on 8. FI. Varoitukset! Ainoastaan kotikäyttöön. Käyttäjää yhteensä enintään 8. HR. Upozorenja! Samo za uporabu u domu. Maksimalan broj korisnika je 8. HU. Figyelmeztetések! Csak otthoni használatra! A használók max. száma: 8. IS. Varnaðarorð! Eingöngu fyrir einkanothun í heimahúsum og á einkalóðum. Hámarksfjöldi notenda er 8. IT. Avvertenze! Solo per uso domestico. Massimo numero di utenti è 8. LT. Dėmesio! Tik buitiniam naudojimui. Maksimalus naudotojų skaičius 8. LV. Brīdinājumi. Izmantot tikai mājās. Maksimālais lietotāju skaits ir 8. NL. Waarschuwing! Uitsluitend voor huishoudelijk gebruik. Het maximale aantal gebruikers is 8. NO. Advarsler! Kun for privat bruk. Maksimalt antall brukere er 8. PL. Ostrzeżenia! Wyłącznie do użytku domowego. Maksymalna liczba użytkowników to 8. PT. Avisos! Apenas para uso doméstico. O número máximo de utilizadores é 8. RO. Avertismente! Numai pentru uz domestic. Numărul maxim de utilizatori este 8. SK. Upozornenia! Iba na domáce použitie. Maximálne množstvo osôb je 8. SL. Opozorila! Samo za domačo uporabo. Maksimalno število uporabnikov je 8. SV. Varningar! Endast för hemmabruk. Det maximala antalet användare är 8.	

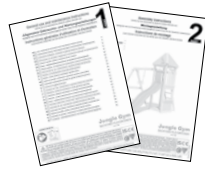


General safety notice

Allgemeine Sicherheitswarnung

Avertissement de sécurité général

OWNER MANUAL



Important: Before assembling and using this product, please carefully read the provided Use- and maintenance instructions ([part 1](#)) and assembly instructions ([part 2](#)) thoroughly.

Wichtig: Lesen Sie vor der Montage und Benutzung dieses Produkts die beiliegende Gebrauchs- und Wartungsanweisungen ([Teil 1](#)) und die Montageanleitung ([Teil 2](#)) sorgfältig durch.

Important: Avant de monter et d'utiliser ce produit, veuillez lire attentivement le manuel Instructions d'utilisation et de maintenance ([partie 1](#)) et les instructions de montage ([partie 2](#)).



1-5

Warnings!
Achtung!
Attention!



1-12

Potential hazards
Potenzielle Gefahren
Dangers potentiels



1-7

Installation notices
Installationsplanung
Planification de l'installation



1-14

Assembly instructions
Montageanweisungen
Instructions de montage



1-7

Safe play instructions
Sichere Spielanweisungen
Consignes de jeu sécurité



Customer service and support

Kundendienst und Unterstützung

Service clients et support



[Frequently Asked Questions](#)
[Häufig gestellte Fragen](#)
[Foire aux questions](#)
[Veelgestelde Vragen](#)



Fill out the [contact form](#) and we'll get back to you as soon as possible.
Füllen Sie das [Kontaktformular](#) aus und wir melden uns so schnell wie möglich bei Ihnen.
Remplissez le [formulaire de contact](#) et nous vous répondrons dans les plus brefs délais.
Vul het [contactformulier](#) in en we nemen zo snel mogelijk contact met je op.



Get in touch

Availability:
Monday – Thursday:
CET 09:00 AM – 04:00 PM
Friday:
CET 09:00 AM – 01:00 PM



EU +31 85 44 44 102
International phone charges may apply.



info@junglegym.com



www.junglegym.com



[instagram.com/junglegymofficial](https://www.instagram.com/junglegymofficial)



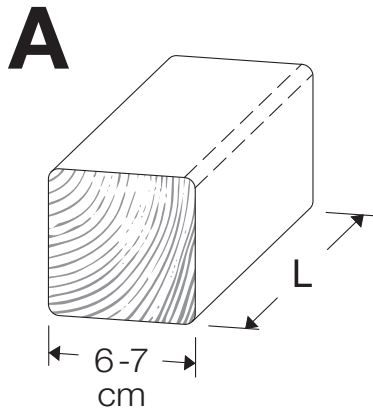
Preparatory work Vorbereitende Arbeiten Travaux préparatoires

Overview of the total delivery scope
Übersicht über den gesamten Lieferumfang
Aperçu de l'ensemble de la portée de livraison

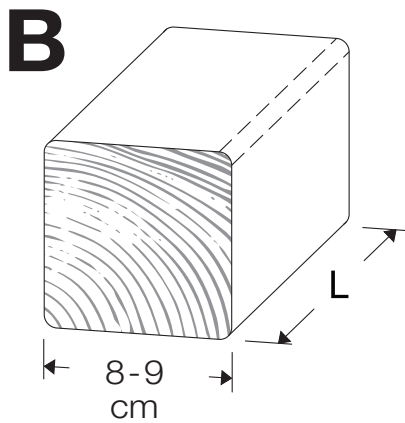


#	Sub-assembly ID	Description	FFC ID
1	BT11a	Base Tower 115_240240_125	792_002
1	ET11a	Extension Tower 11580_220_145 down	792_105
1	RF08b	Roof Timber Gable 115	792_210
1	BL01a	Balustrade 80_ U	790_301
1	BL03a	Balustrade 115_ U	792_301
2	BL04a	Balustrade 115_ T	792_301
1	LA03b	Ladder 80_145 U	790_434
1	PC06a	Picnic 115 T	792_503
1	SL09a	Slide Frame 115_125 T R x Balustrade	792_901
1	SW14a	2- Swing Module 220 3.0	757_160
1	AC01a	Accessories Set	194_119
1	AC21a	Accessories Swing Seat	250_034
1	AC24a	Accessories Baby Seat	250_025
1	Wavy Star Slide XL	324_x00	324_x00

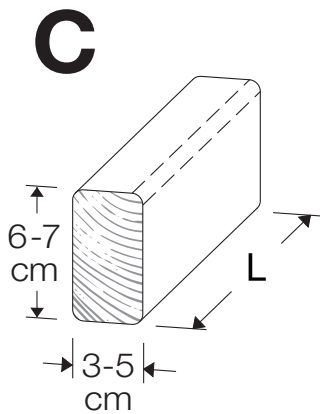
Identifying and inventorying of the individual timber parts
 Identifizierung und inventarisieren der der einzelnen Holzteile
 Identification et inventorier les pièces en bois individuels



ID	L	#
A220	219 cm - 220 cm	2
A240	239 cm - 240 cm	6

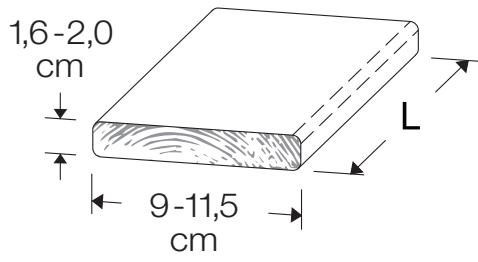


B240	239 cm - 240 cm	1
------	-----------------	---



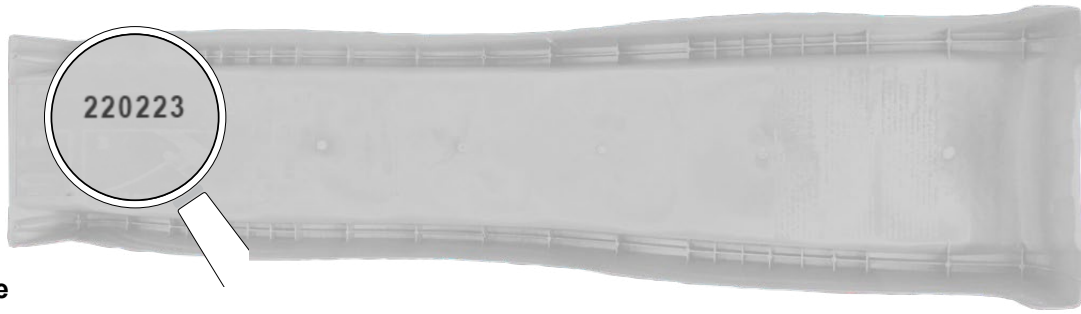
C37	36 cm - 37 cm	3
C70	69 cm - 70 cm	1
C74	73 cm - 74 cm	7
C84	83 cm - 84 cm	3
C90	89 cm - 90 cm	2
C96	85 cm - 96 cm	2
C114	113 cm - 114 cm	10
C141	140 cm - 141 cm	2
C150	149 cm - 150 cm	2

D



D47	46 cm - 47 cm	1
D65	64 cm - 65 cm	25
D74	73 cm - 74 cm	6
D100	99 cm - 100 cm	29
D114	113 cm - 114 cm	23
D127	126 cm - 127 cm	24
D141	140 cm - 141 cm	2

Identification, inventorying, and registering of the individual accessories and parts
 Identifizierung, inventarisieren und registrieren von der einzelnen Zubehör und Teilen
 Identification, inventorier et enregistrer les accessoires et pièces individuels



Example

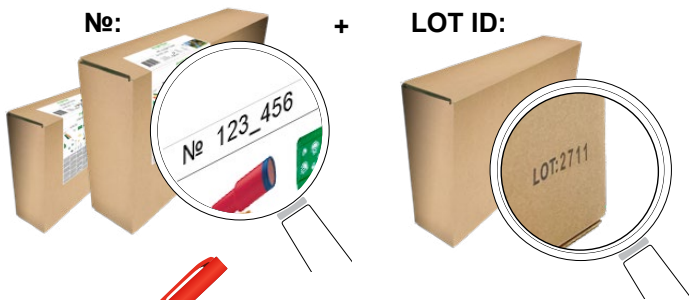
No:

2 2 0 2 2 3

1.

2.

Identification, inventorying, and registering of the individual assembly kits
 Identifizierung, inventarisieren und registrieren der der einzelnen Bausätze
 Identification, inventorier et enregistrer les kits de construction individuels



Example

No:

LOT ID:

1 2 3 _ 4 5 6 _ 2 7 1 1

No: LOT ID:

1.

2.

3.

4.

5.

No: LOT ID:

6.

7.

8.

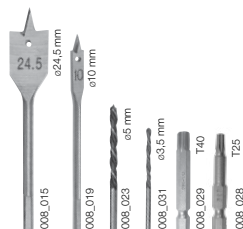
9.

10.

Overview of the contents of the standard included start package
Übersicht über den Inhalt des standardmäßig enthaltenen Startpakets
Aperçu du contenu du pack de démarrage inclus standard



Overview of the bit and drill bit references
Übersicht über die Bit- und Bohrer-Referenzen
Aperçu des références des embouts et des forêts



Overview of all hardware and part references for identification
Übersicht über alle Hardware- und Teile-Referenzen zur Identifizierung
Aperçu de toutes les références de matériel et de pièces pour identification

		#	L
 ø 5	 88	 ø 8.0 mm	001_404 30 mm
			001_406 45 mm
			001_411 60 mm
			001_417 80 mm
			001_422 137 mm
 ø 10	 88	 M8	001_102 30 mm
 ø 2.0 mm		 L	000_101 20 mm
 ø 3.5	 88	 ø 6.3 mm	002_036 16 mm
 ø 3.5	 88	 ø 4.5 mm	002_041 20 mm
	 88	 ø 3.5 mm	002_042 13 mm
	 88	 ø 3.9 mm	002_301 40 mm

		#	L
 ø 3.5	 88	 ø 5.0 mm	002_308 20 mm
			002_219 30 mm
			002_220 45 mm
			002_223 80 mm
 ø 10	 88	 M8	004_050 22mm
	 88	 M8	003_010
	 88	 M6	003_034
	 88		022_845 Yellow
			022_846 Blue
			022_847 Green
			022_848 Red
	 88		023_031 White
 022_844	 022_314		120_005 White



Complete climbing frame identification and registration

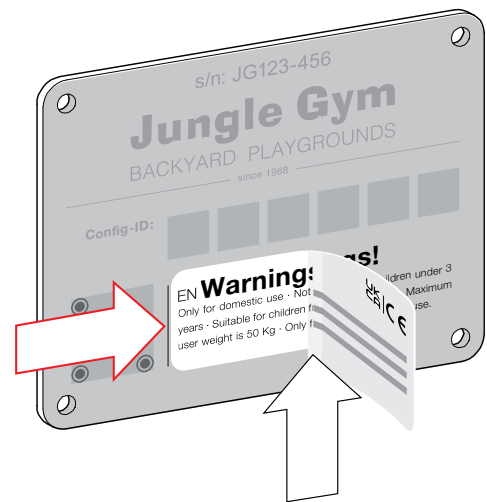
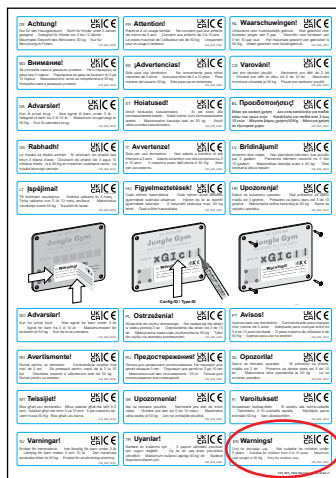
Identifizierung und Registrierung des kompletten Klettergerüsts

Identification et enregistrement de la structure d'escalade complète

Your design code
Ihr Designcode
Votre code de design



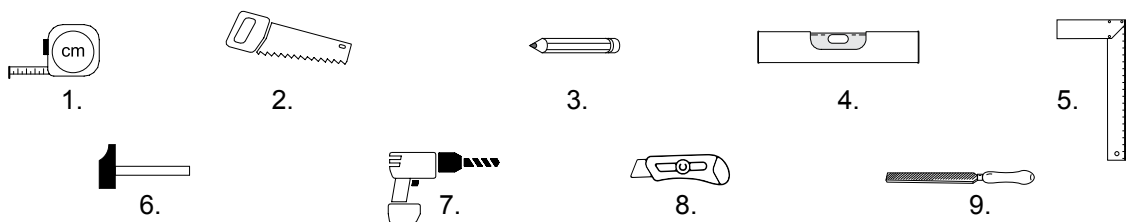
Complete climbing frame identification
Identifizierung des kompletten Klettergerüsts
Identification de la structure d'escalade complète



Required tools and materials

Benötigtes Werkzeug und Materialien

Outils et matériaux nécessaires





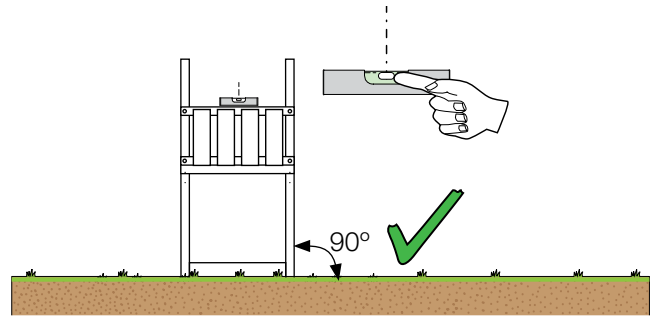
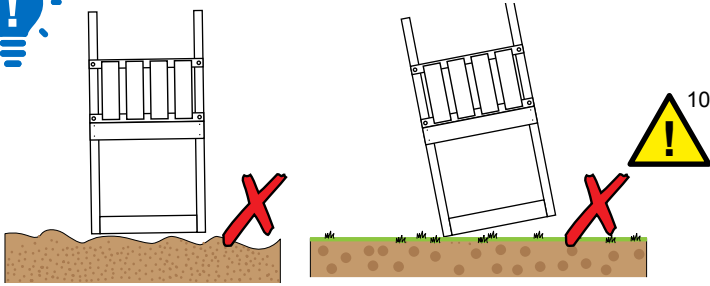
Installation and safety notices

Installationsplanung und Sicherheitshinweise

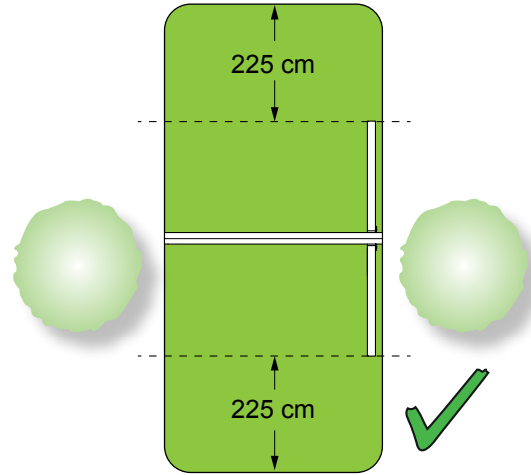
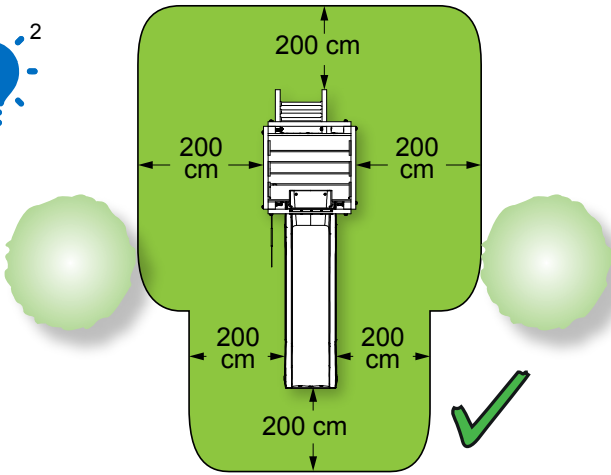
Planification de l'installation et avis de sécurité



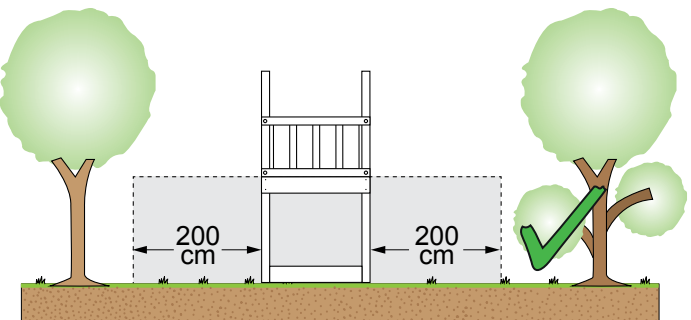
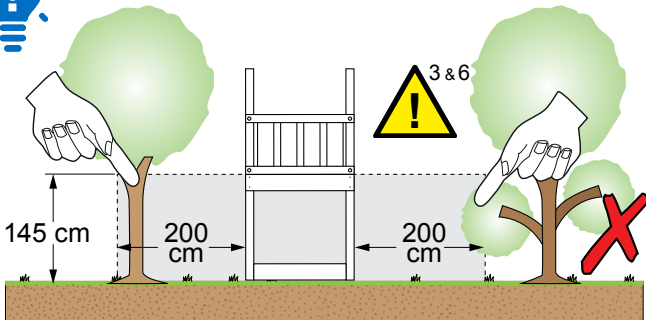
1



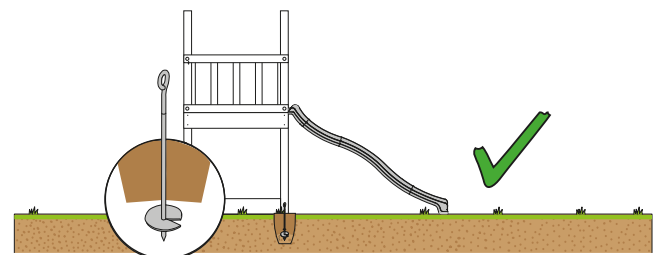
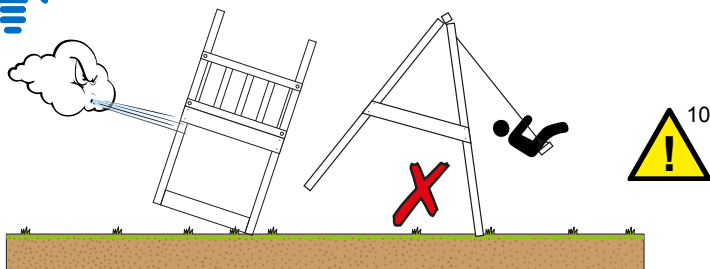
2

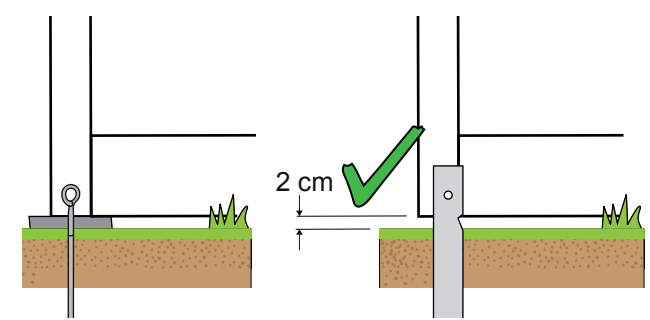
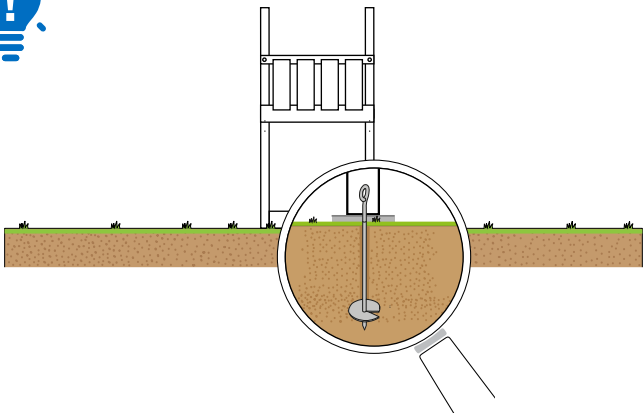
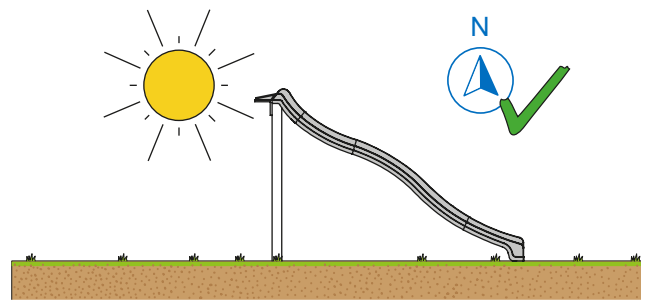
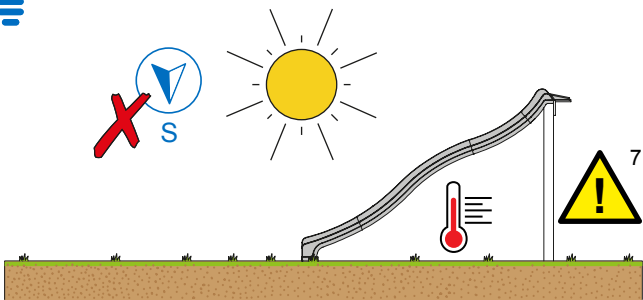
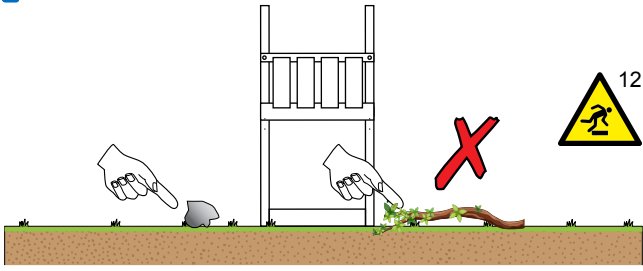


3

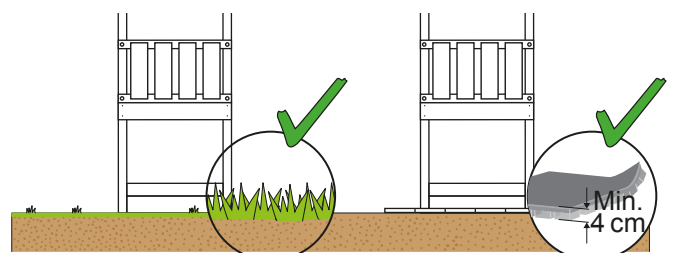
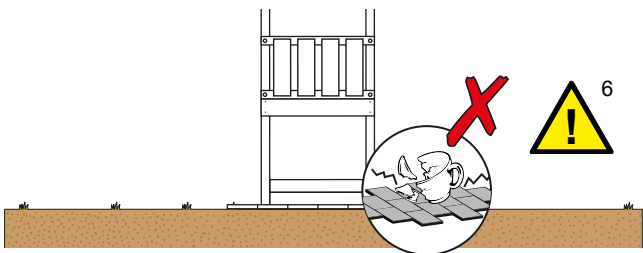


4





Shock absorbing surfaces Stoßdämpfende Oberflächen Surfaces d'absorption des chocs

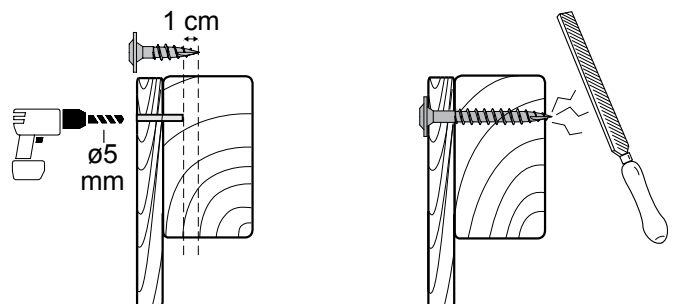
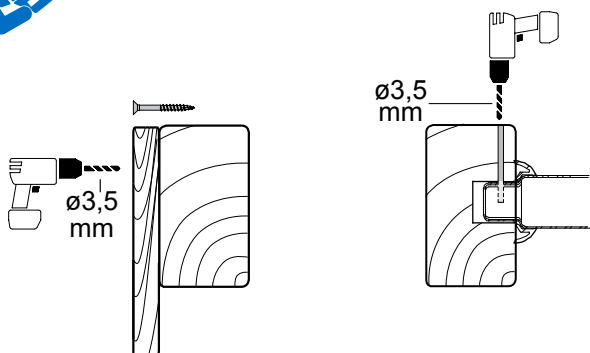
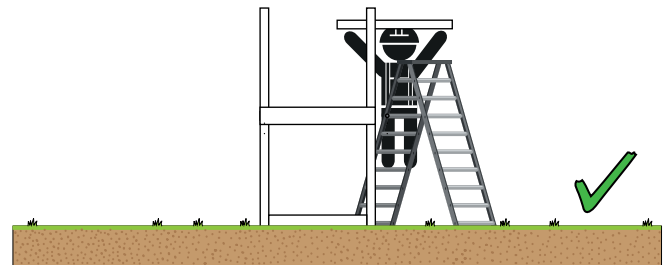
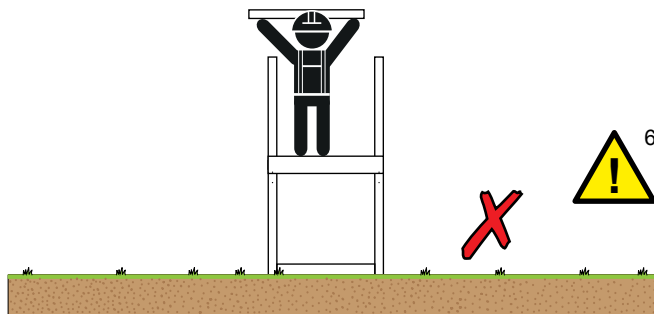
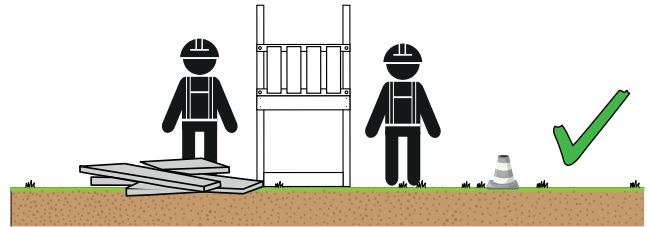
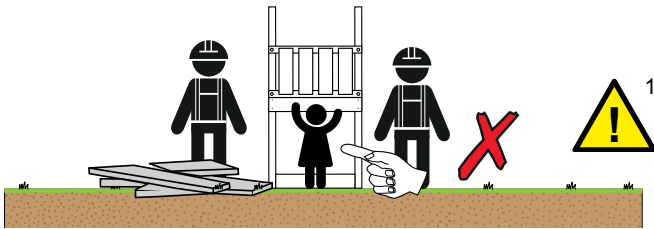
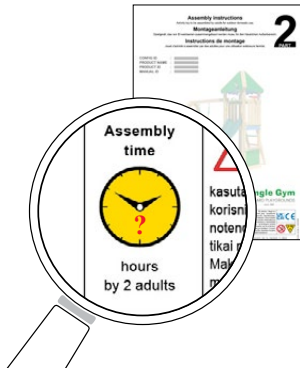




Assembly instructions and safety notices

Montageanweisungen und Sicherheitswarnungen

Instructions de montage et avis de sécurité

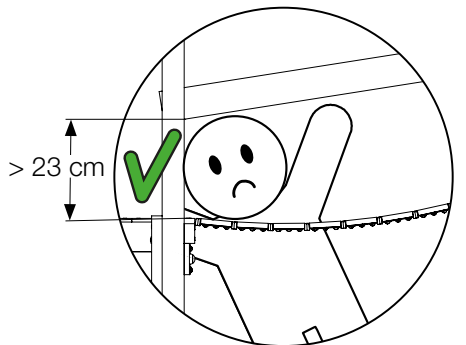
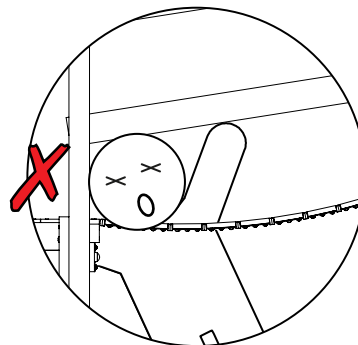
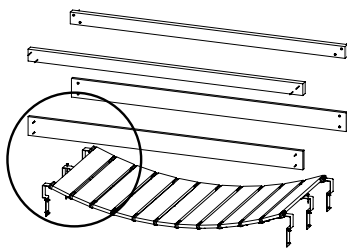
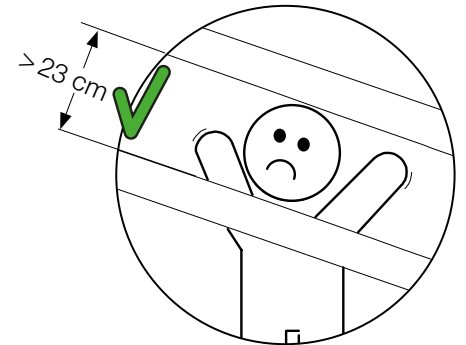
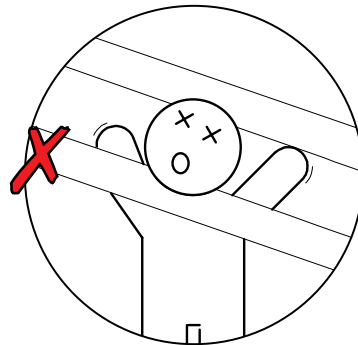
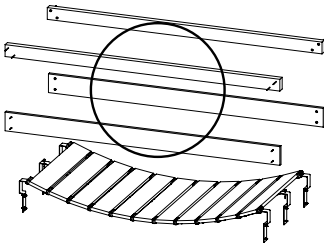
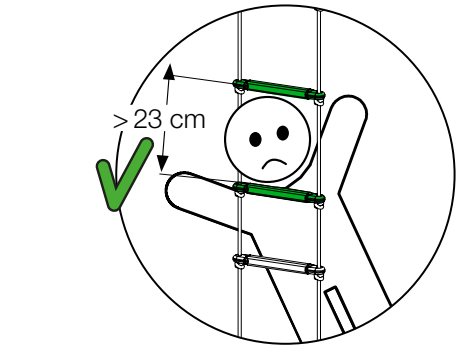
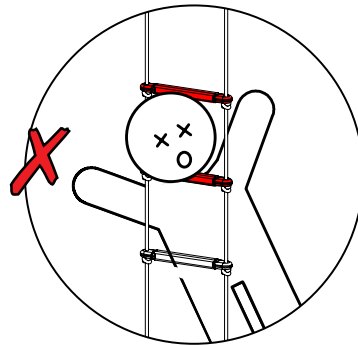
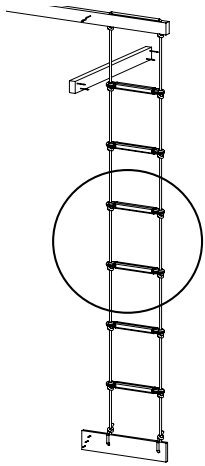
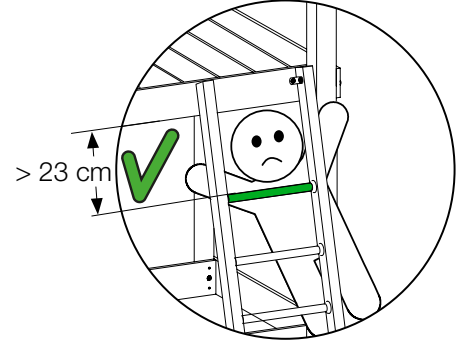
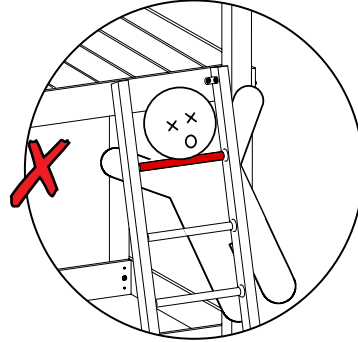
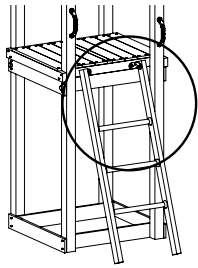




6



5&9

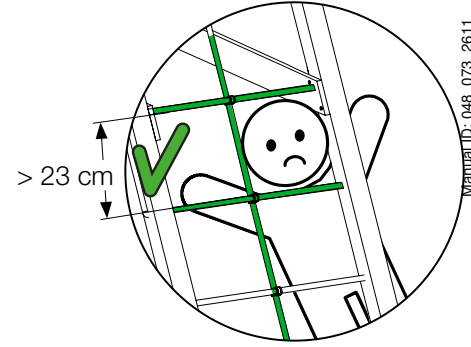
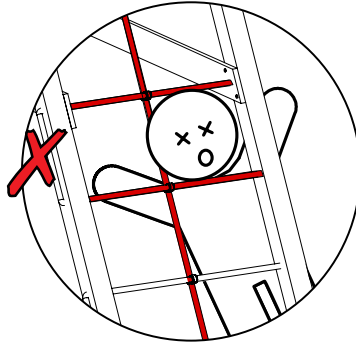
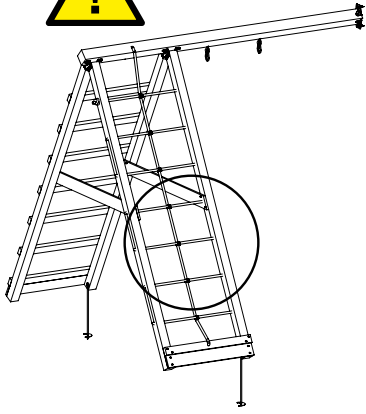




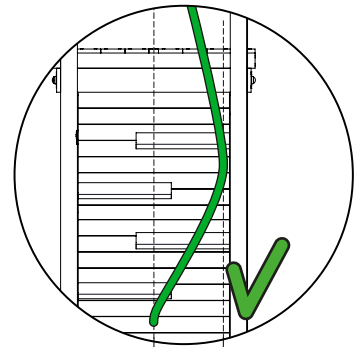
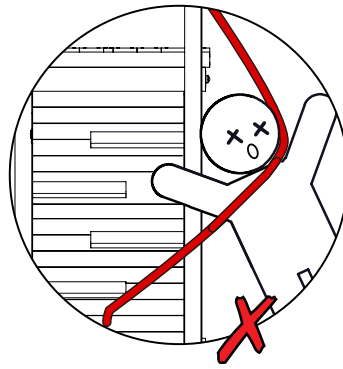
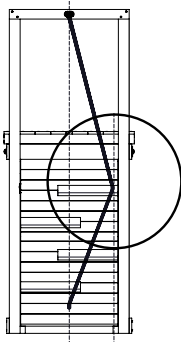
8&9



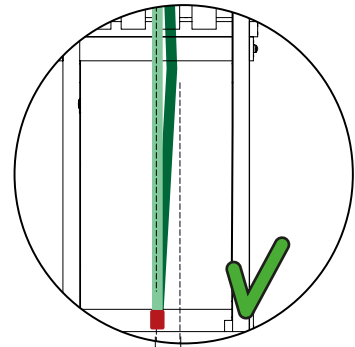
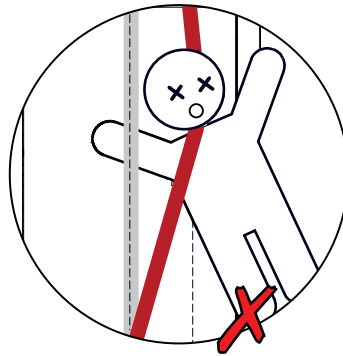
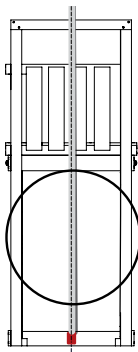
9



> 23 cm



< 23 cm



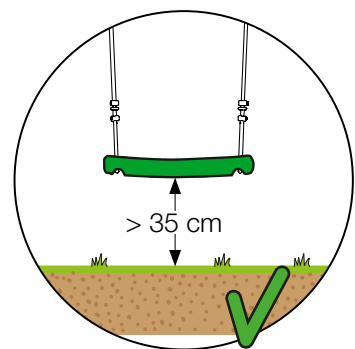
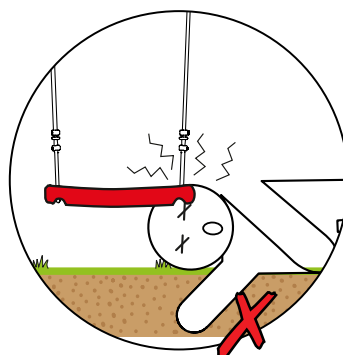
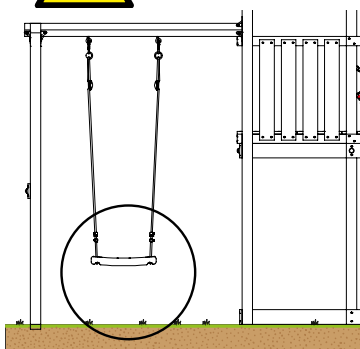
< 15 cm



8&9



3



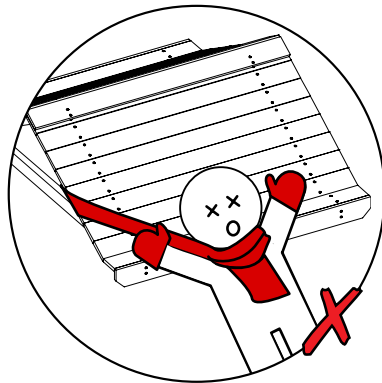
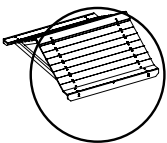
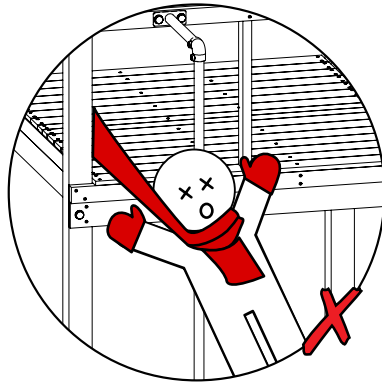
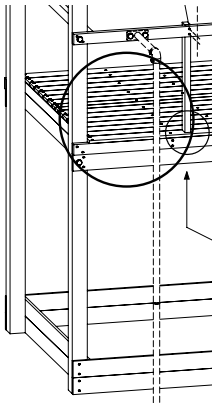
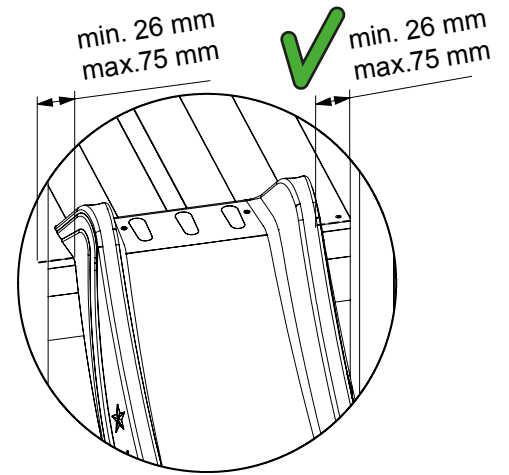
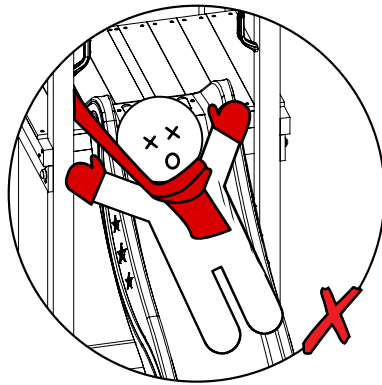
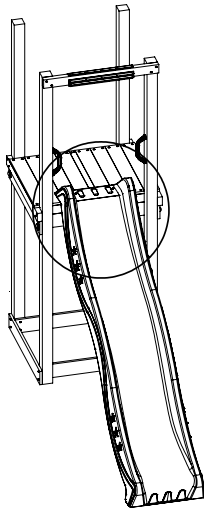
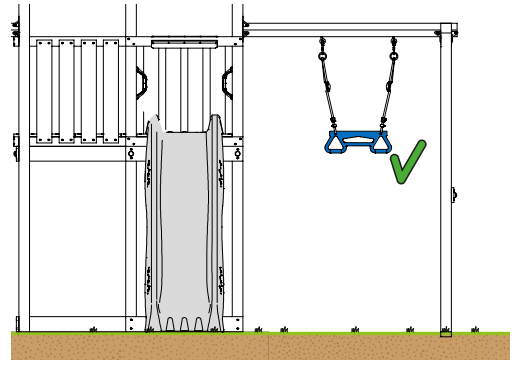
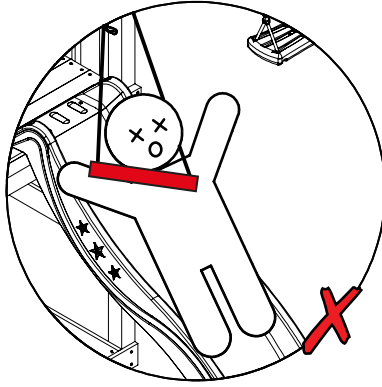
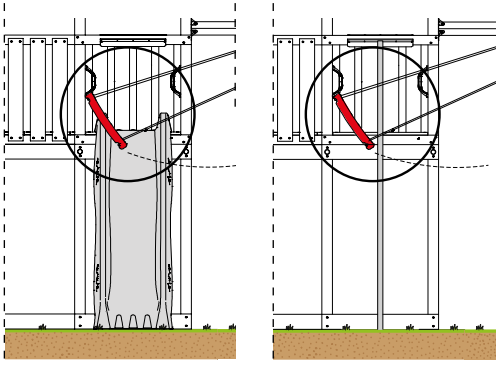
> 35 cm

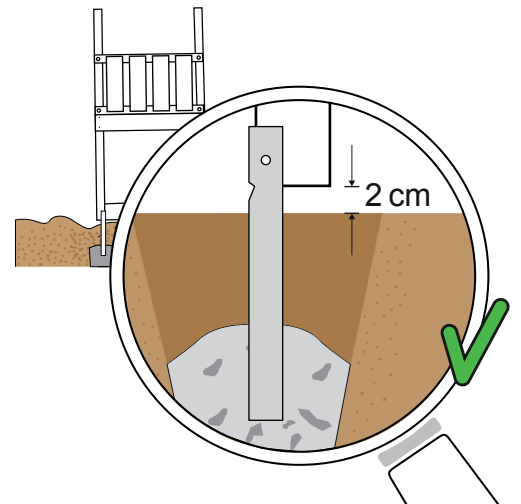
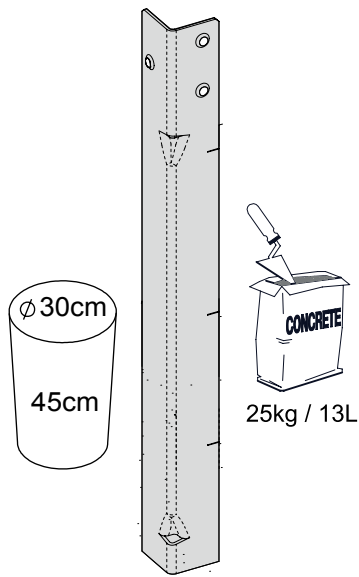
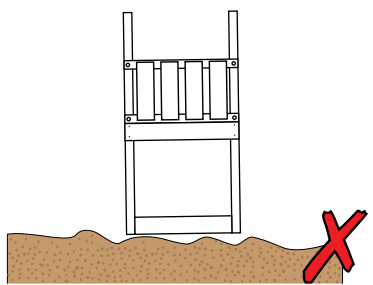
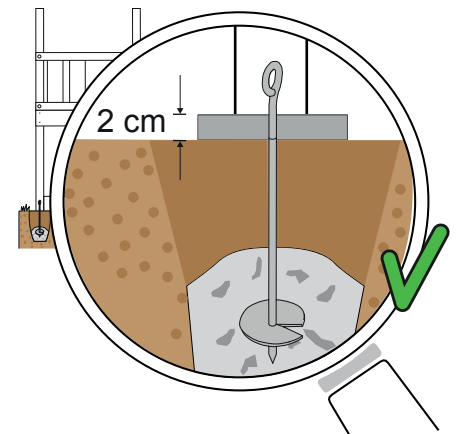
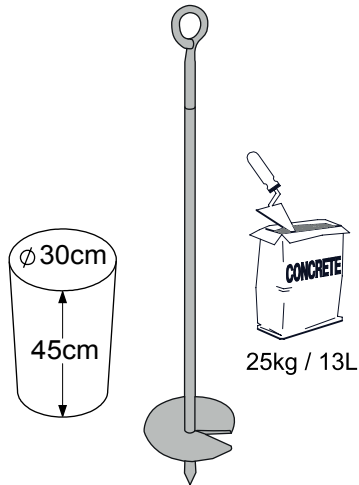
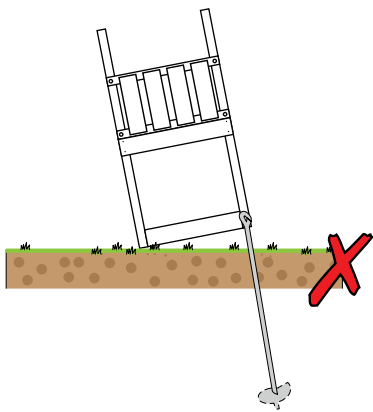
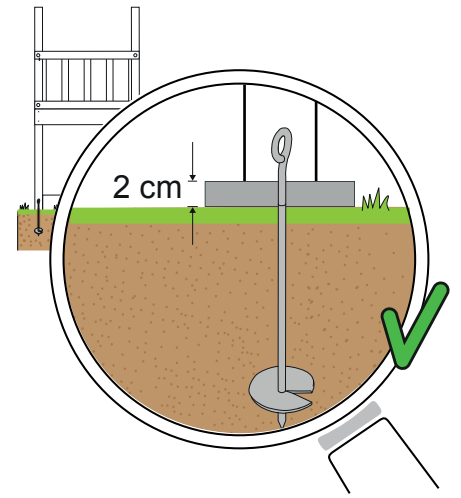
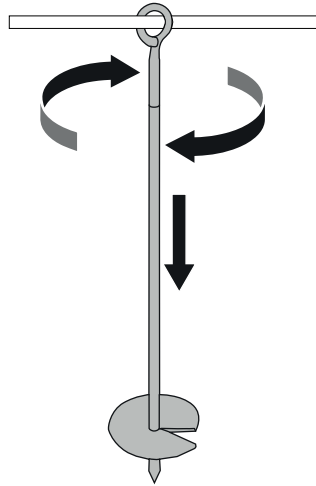
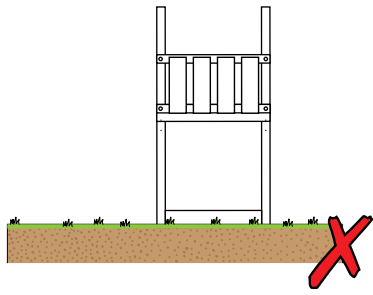


10



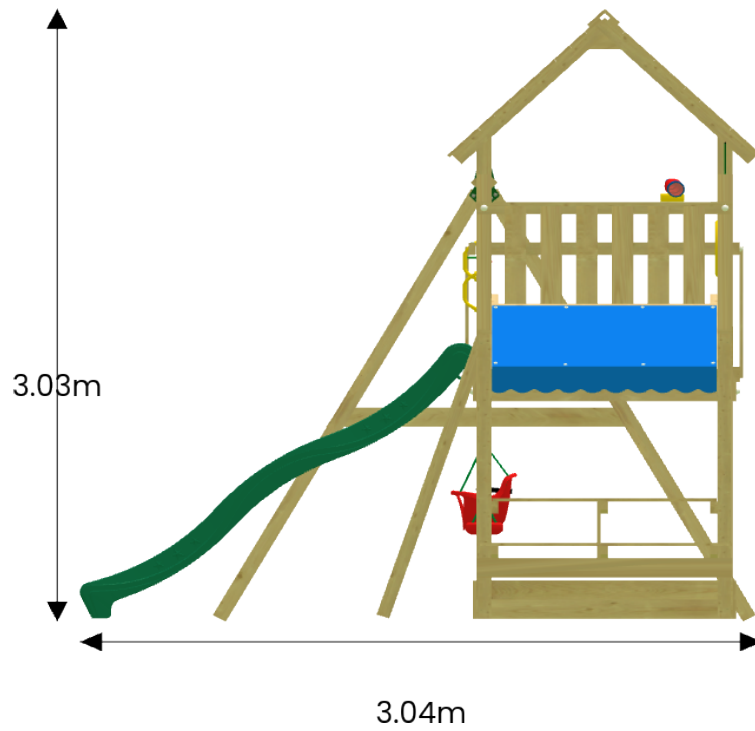
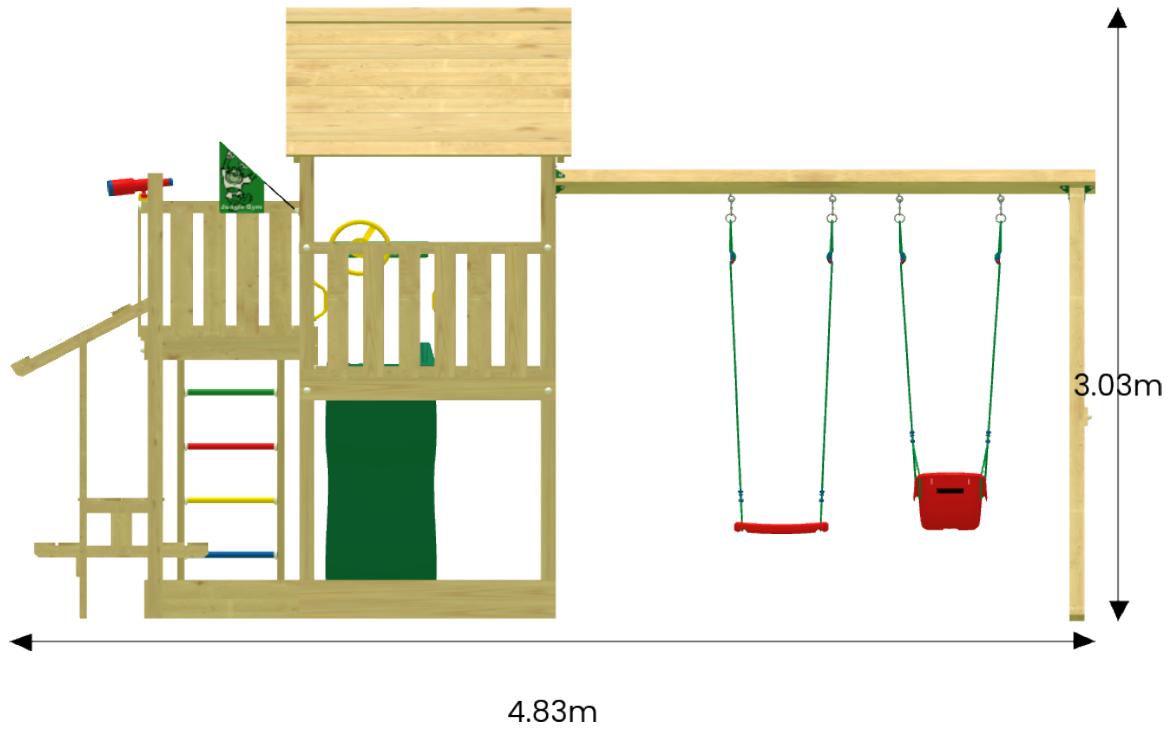
4&9





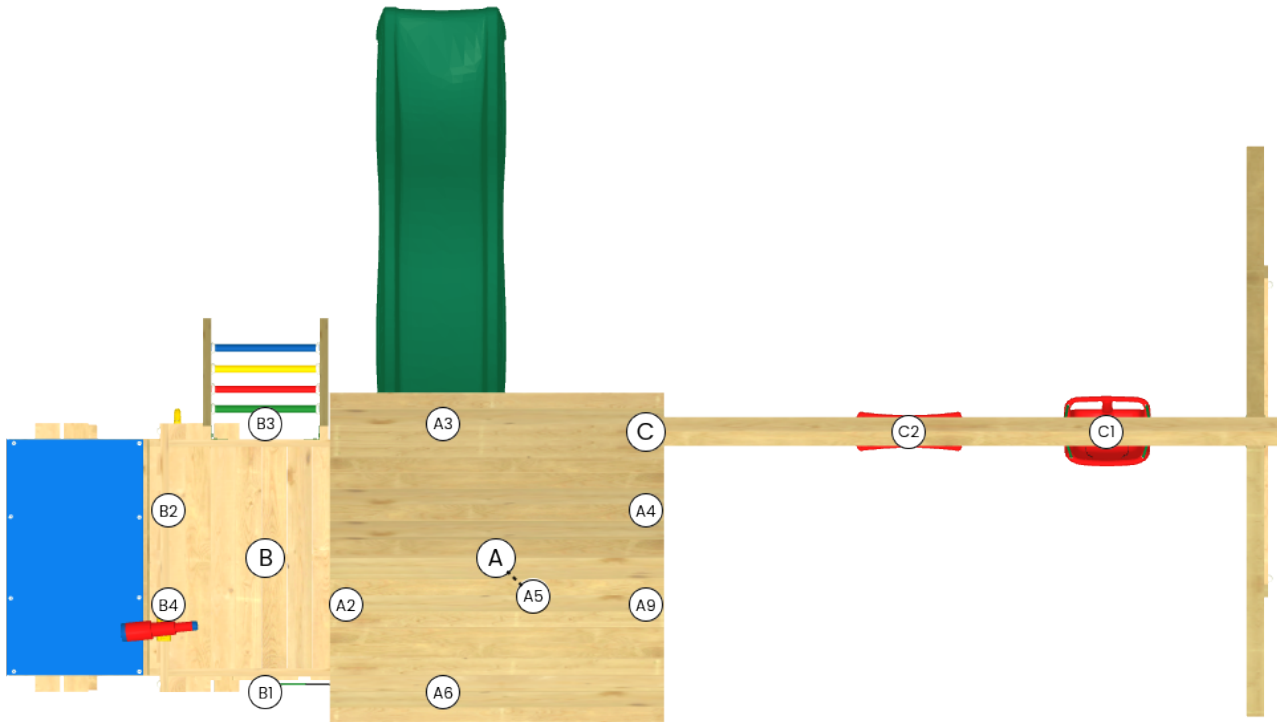


Dimensions Abmessungen Dimensions






Assembly sequence Montagereihenfolge Séquence d'assemblage



	ID			A	B	C
1	BT11a		p.20	✓	-	-
2	ET11a		p.23	-	✓	-
3	BL01a		p.26	-	B1	-
4	BL03a		p.27	A9	-	-
5	BL04a		p.28	A6	B2	-
6	RF08b		p.29	A5	-	-
7	LA03b		p.32	-	B3	-
8	PC06a		p.35	-	B2	-
9	SW14a		p.39	-	-	✓
10	SL09a		p.47	A3	-	-
11	GA		p.51	✓	✓	✓

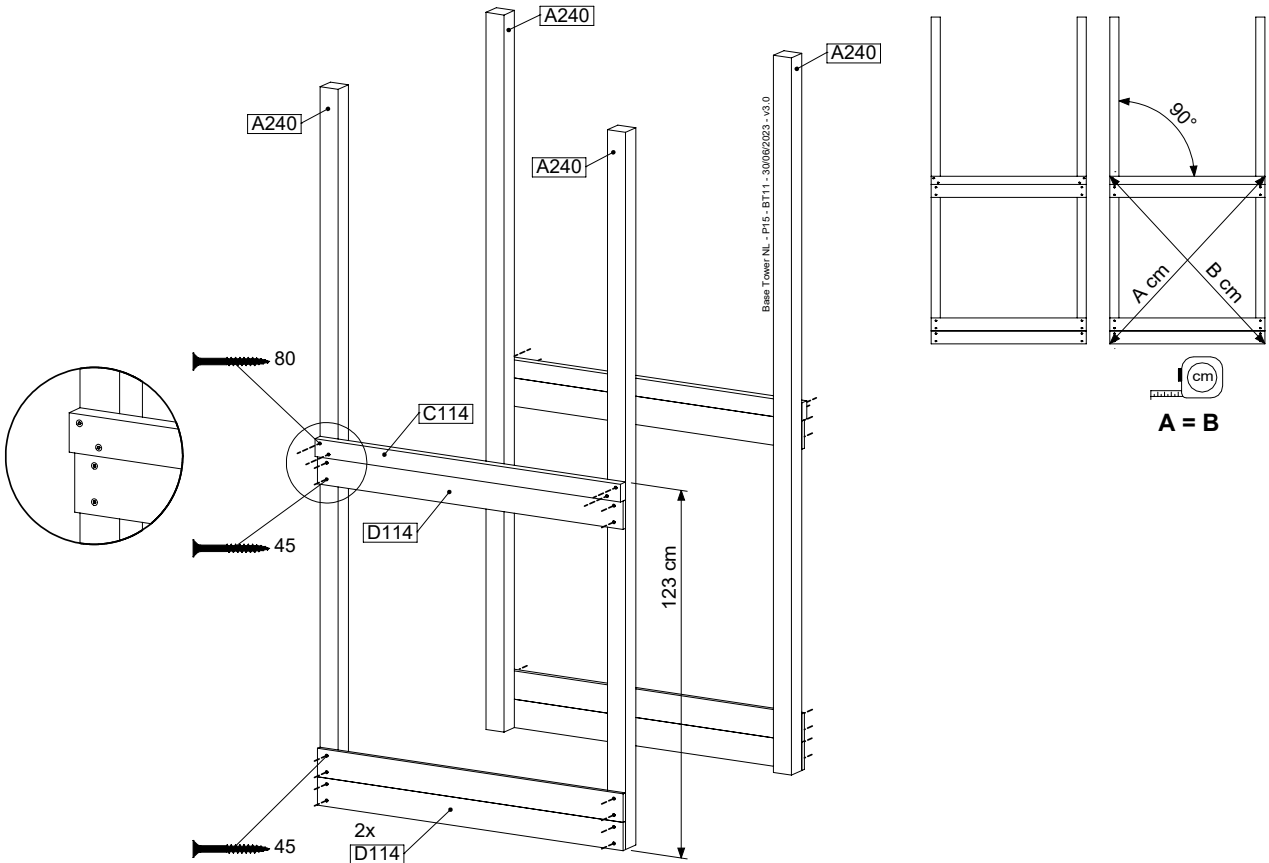
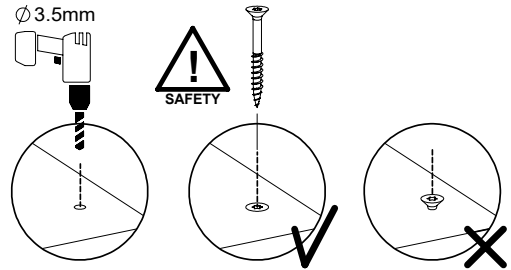
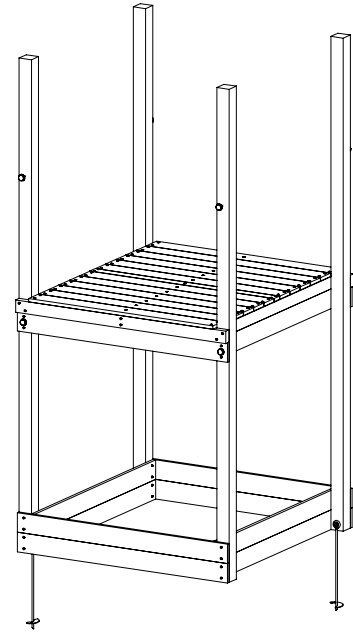
	ID			A	B	C
12	AC01a		p.53	✓	-	-

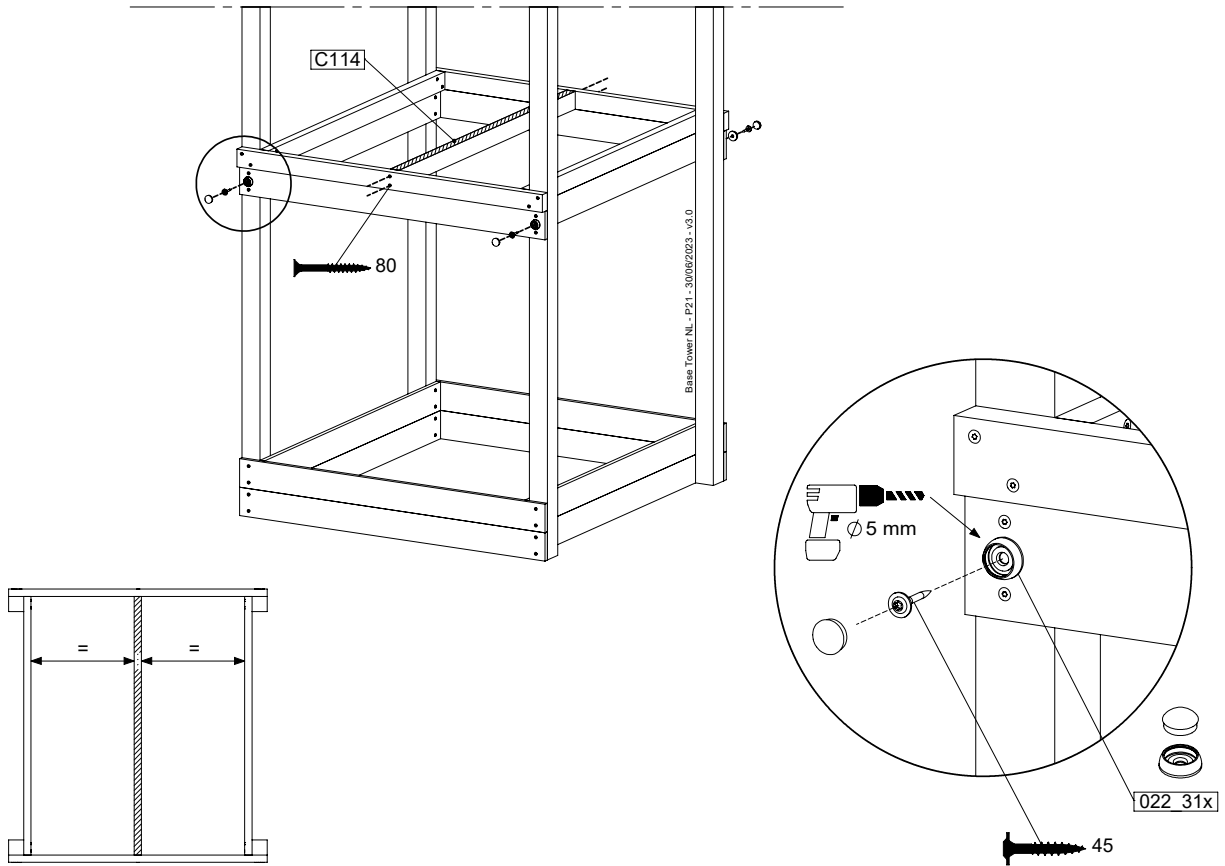
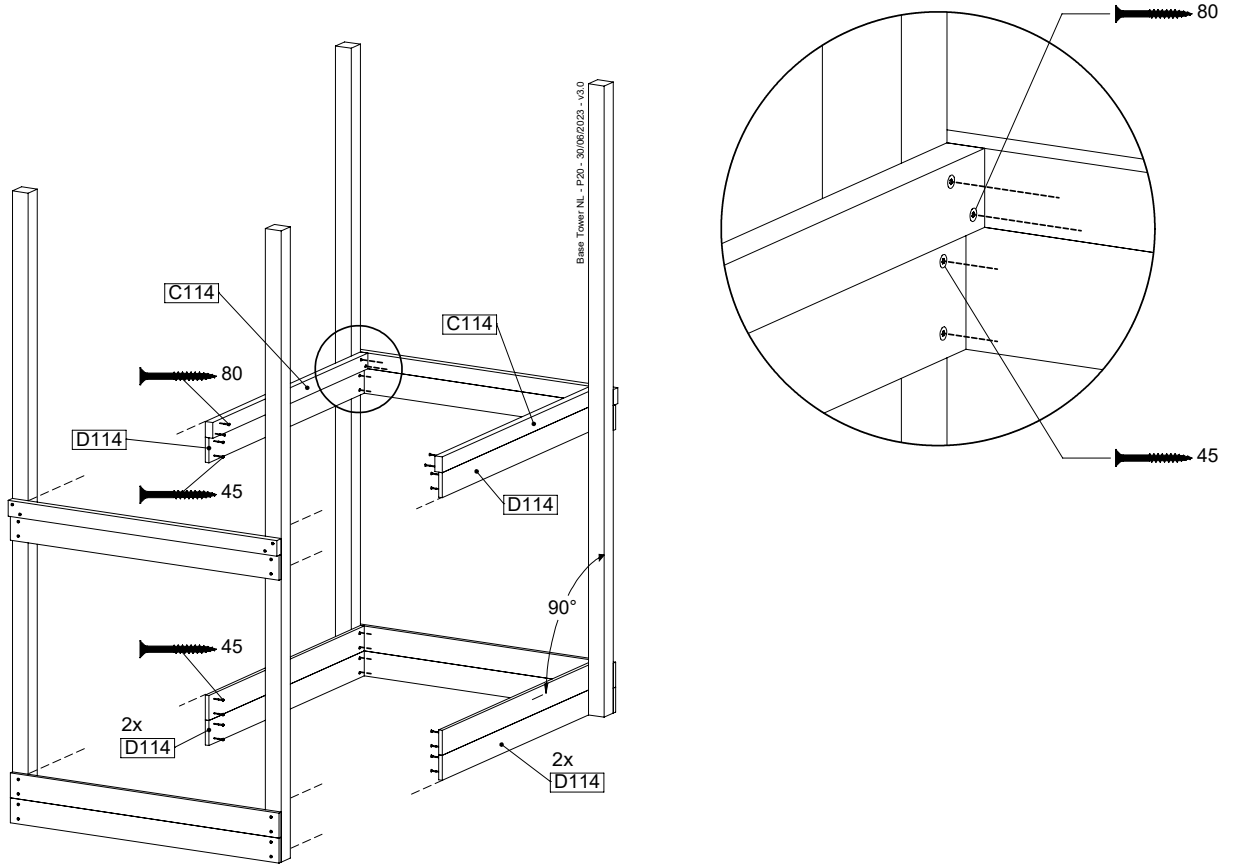
1 BT11a: Base Tower 115 125cm 240240

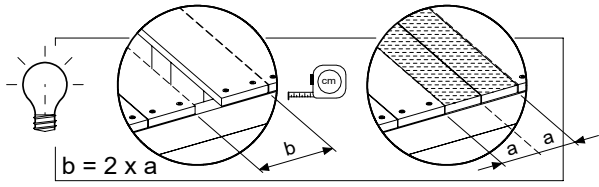
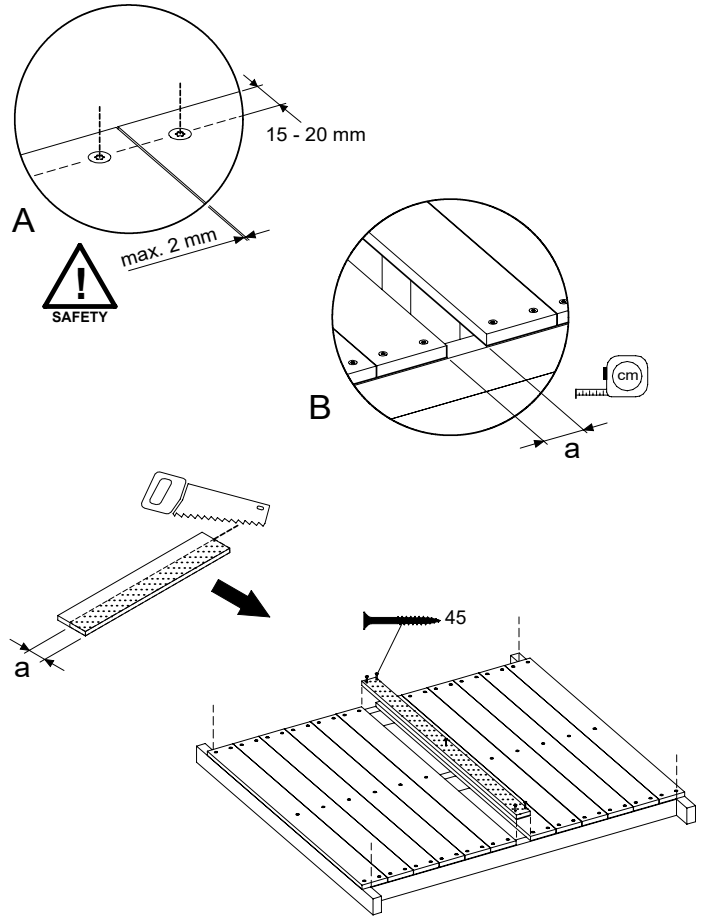
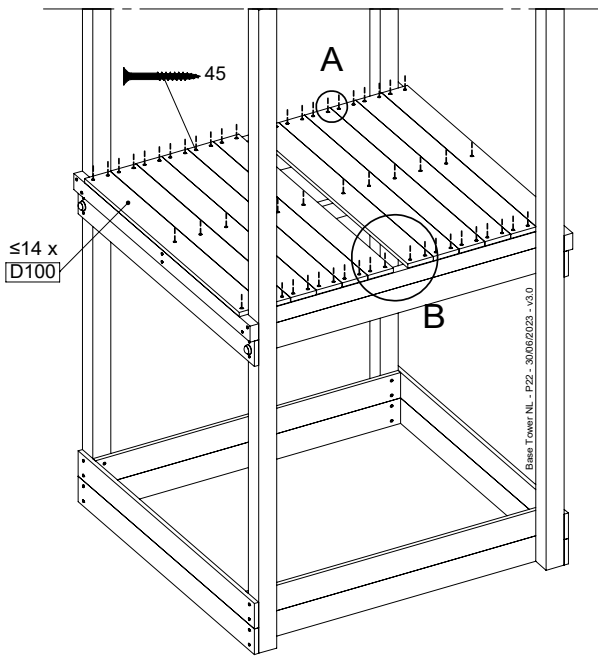
(194_300)

	PartNo	PartName	QTY.
Hardware pack	001_406	Stealth Screw 8x45	6
	001_417	Stealth Screw 8x80	4
	002_220	Gap Point Screw T25 - 5x45	118
	002_223	Gap Point Screw T25 - 5x80	20
	022_31x	bpc-base version 3	8
	022_84x	bpc cover	8
Other	007_001	Ground-anchor	2
Timber	A240	Post 70x70 L2400	4
	C114	Beam 1140 mm	5
	D100	Board 1000 mm	14
	D114	Board 1140 mm	12

Base Tower NL - P15 - BT11 - 300062023 - v3.0





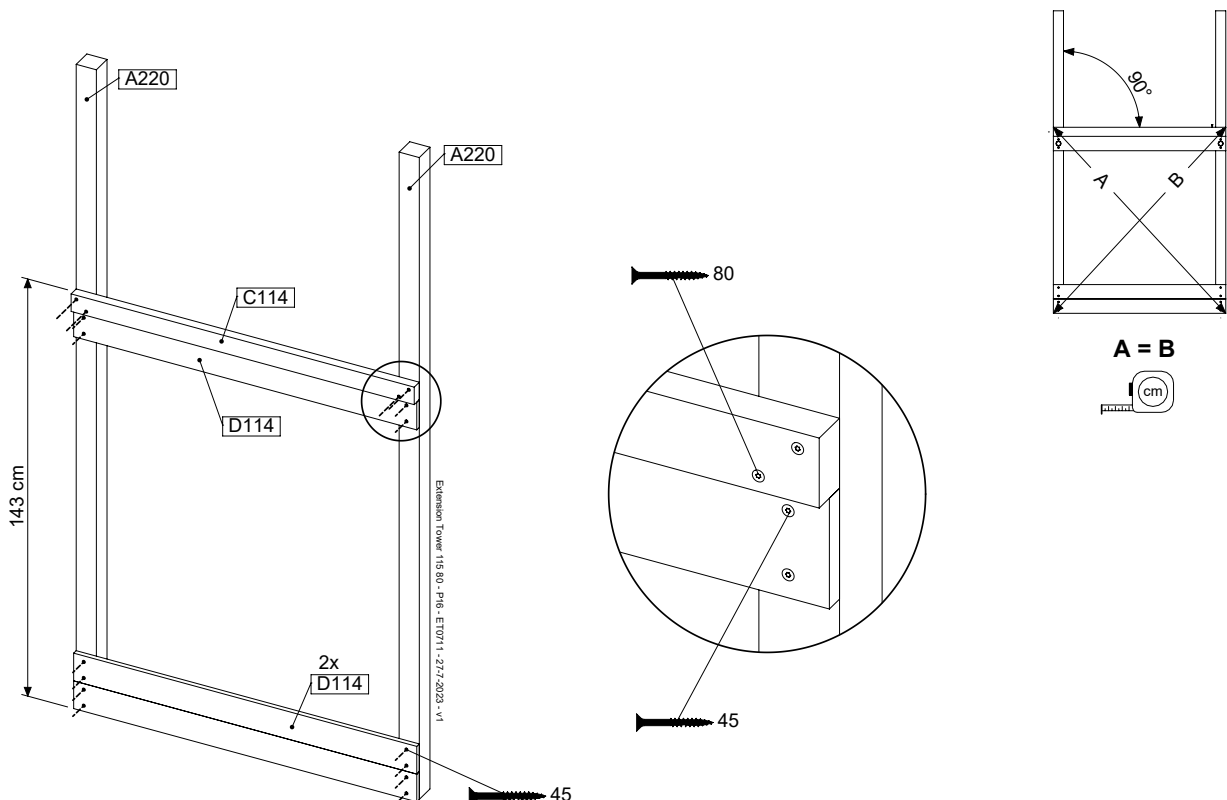
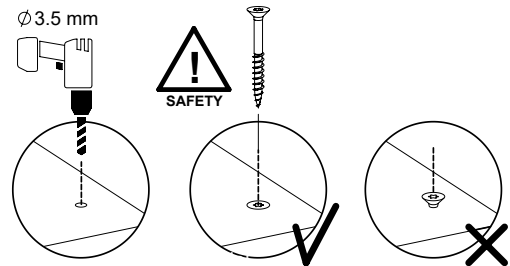
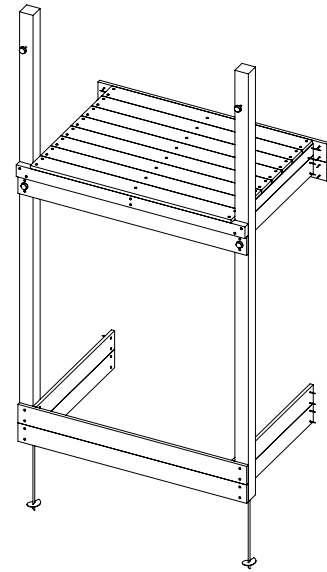


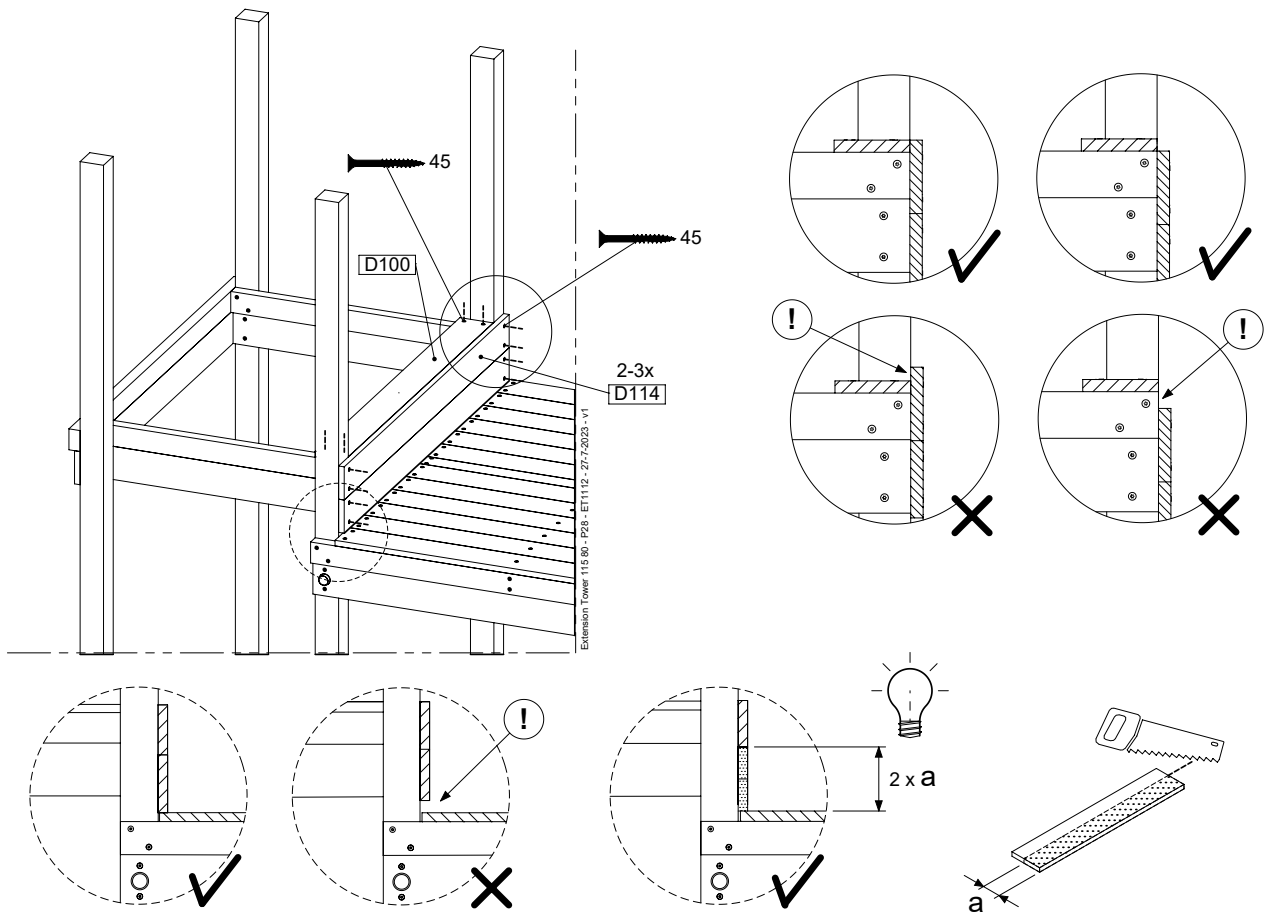
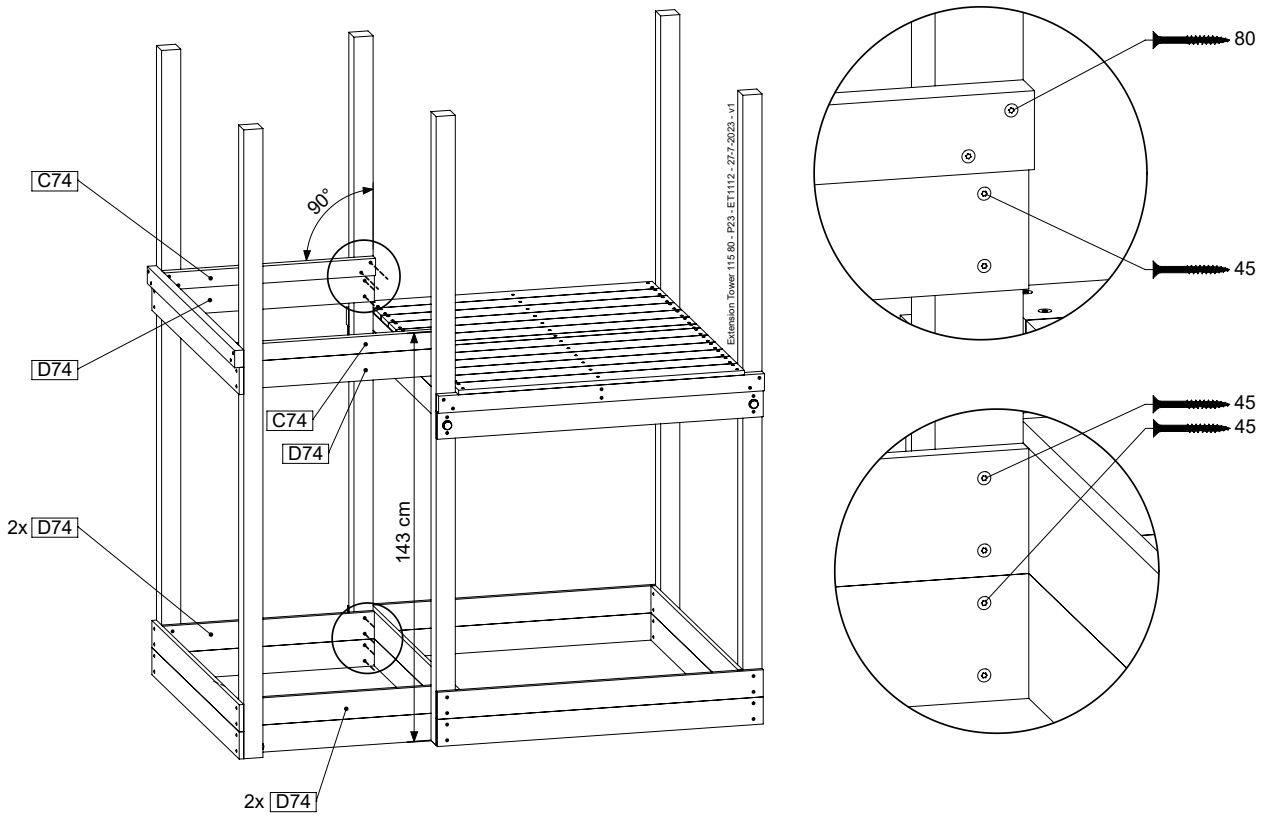
2 ET11a: Extension Tower 11580 220/145

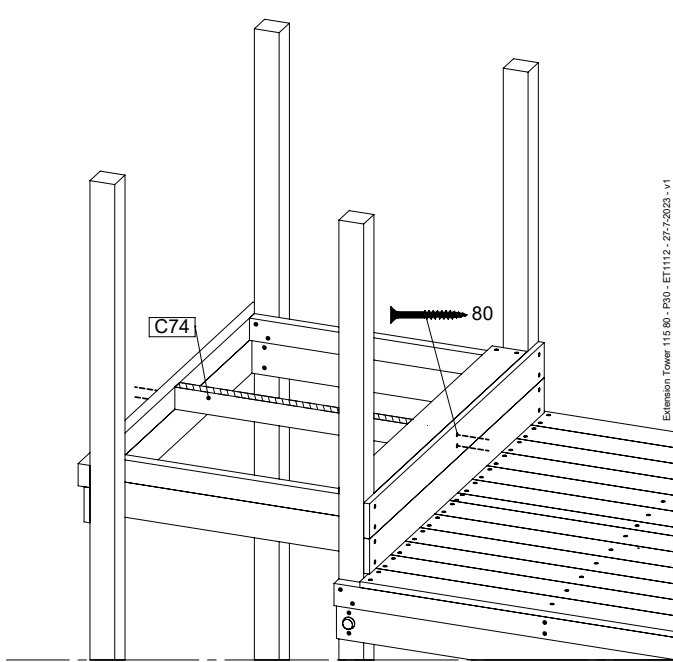
(194_300)

	PartNo	PartName	QTY.
Hardware pack	001_406	Stealth Screw 8x45	4
	001_417	Stealth Screw 8x80	2
	002_220	Gap Point Screw T25 - 5x45	93
	002_223	Gap Point Screw T25 - 5x80	16
Other	007_001	Ground-anchor	2
	022_31x	bpc-base version 3	4
	022_84x	bpc cover	4
Timber	A220	Post 70x70 L2200	2
	C74	Beam 740 mm	3
	C114	Beam 1140 mm	1
	D74	Board 740 mm	6
	D100	Board 1000 mm	9
	D114	Board 1140 mm	6

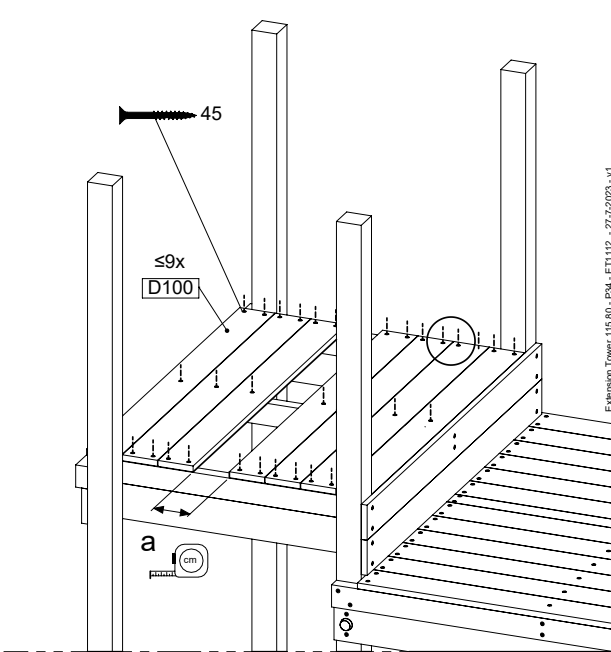
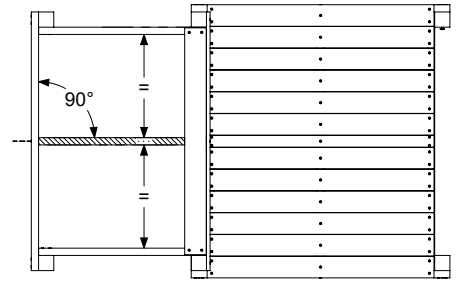
Extension Tower 115 80 - P08 - ET11 - 27-7-2023 - v1



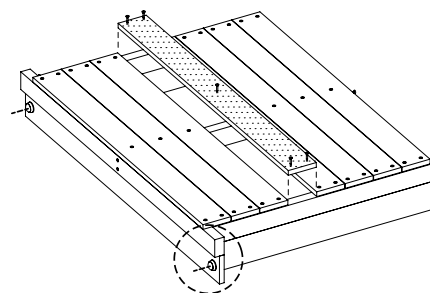
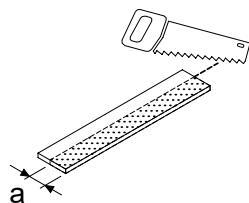
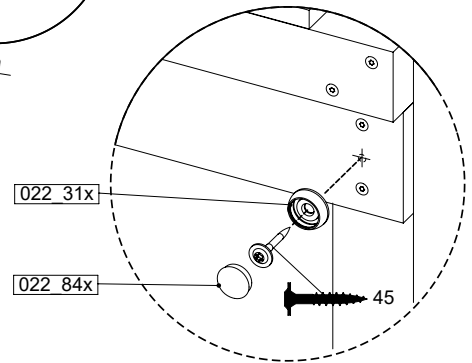
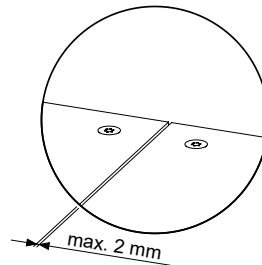




Extension Tower I15.90 - P90 - ET1112 - 27.7.2023 - v1



Extension Tower I15.90 - P90 - ET1112 - 27.7.2023 - v1

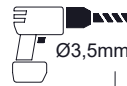
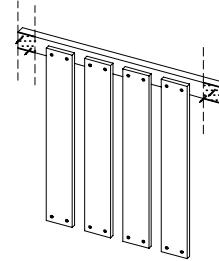


3 BL01a: Balustrade 80 U - 7x7 posts

(194_101)

	PartNo	PartName	QTY.
Hardware Pack	002_220	Gap Point Screw T25 - 5x45	16
	100_601	Gap Point Screw T25 - 5x80	4
Timber	C74	Beam 740 mm	1
	D65	Board 650 mm	4

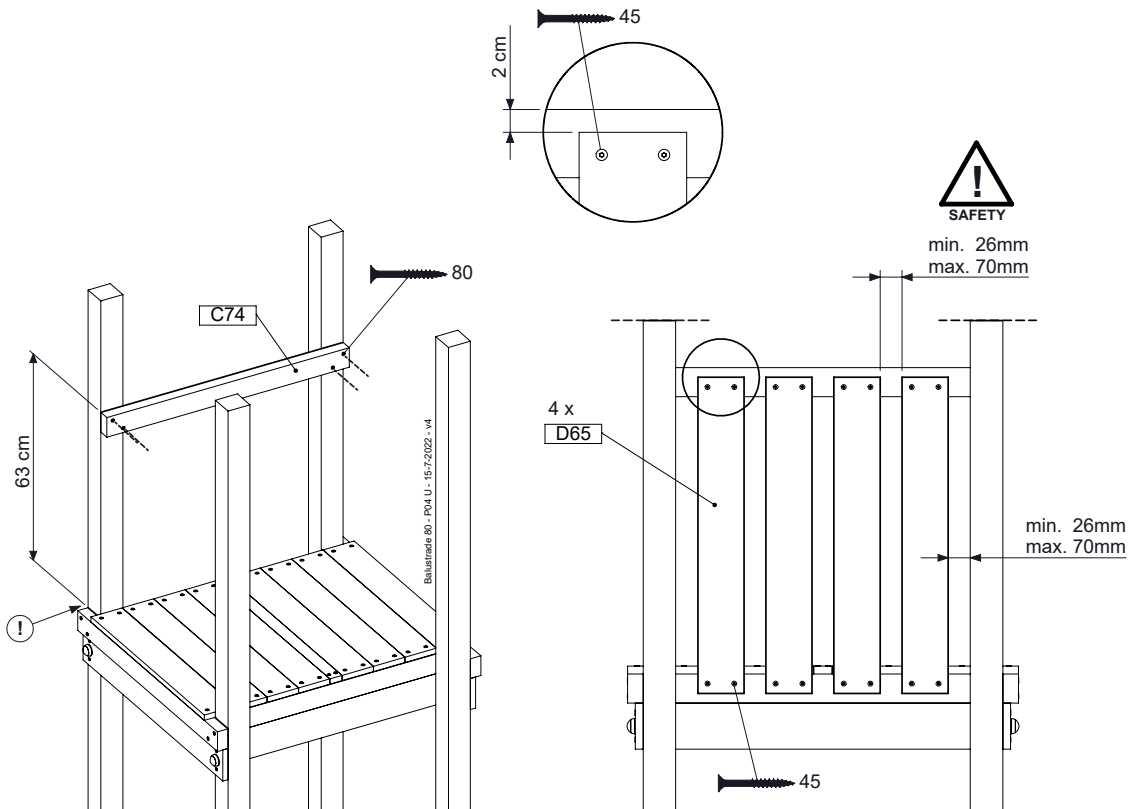
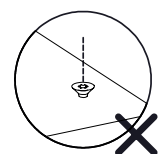
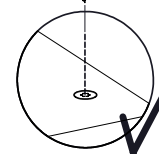
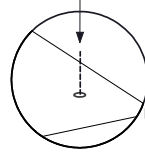
Balustrade 80 - P02 U - 15-7-2022 - v4



Ø3,5mm



SAFETY

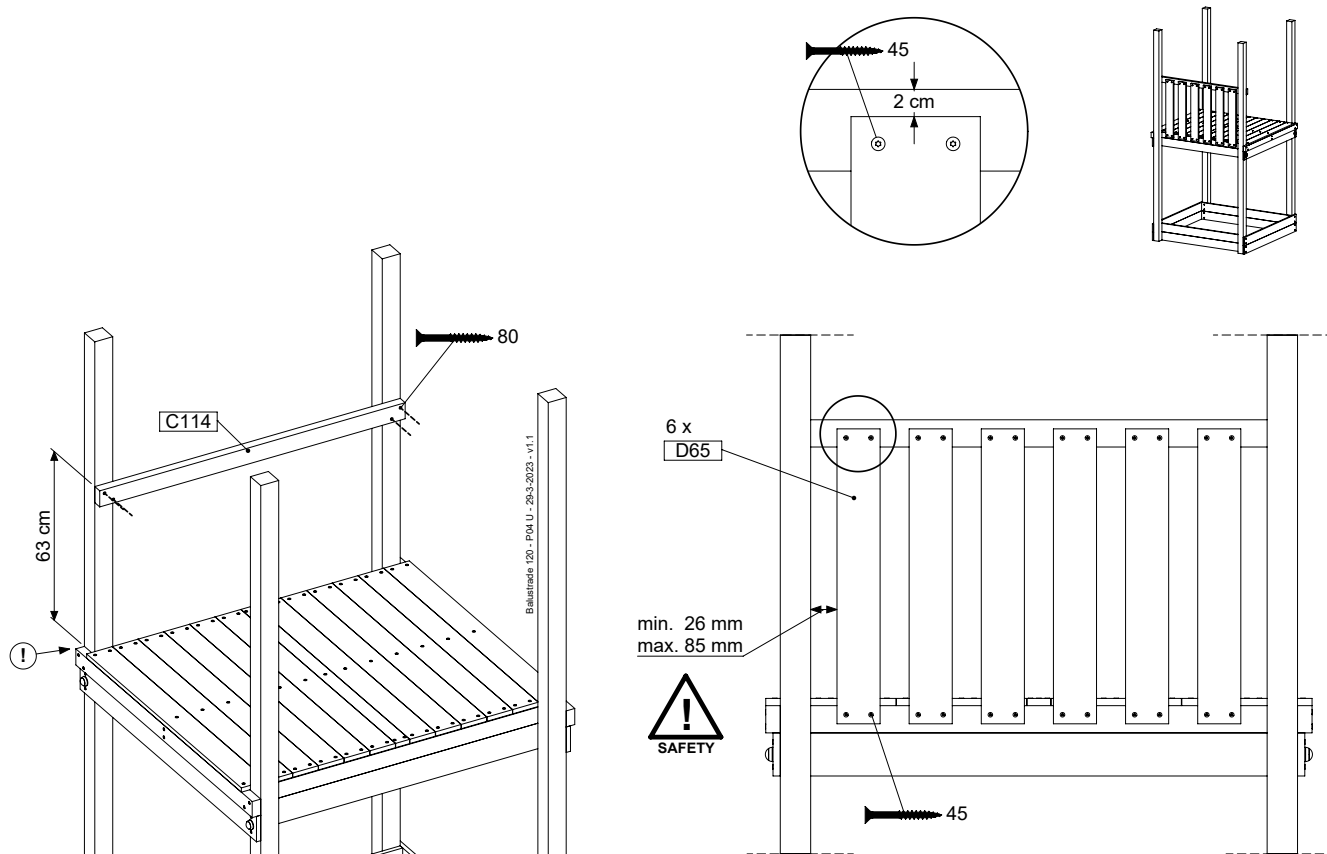
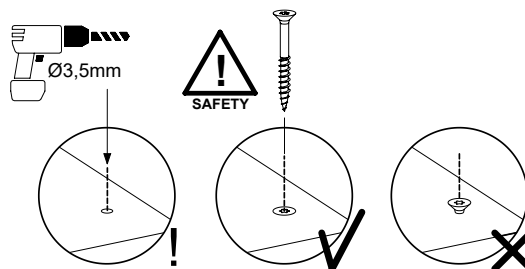
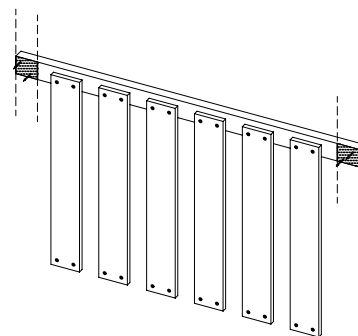


4 BL03a: Balustrade 115 U

(194_501)

	PartNo	PartName	QTY.
Hardware Pack	002_220	Gap Point Screw T25 - 5x45	24
	002_223	Gap Point Screw T25 - 5x80	4
Timber	C114	Beam 1140 mm	1
	D65	Board 650 mm	6

Balustrade 120 - P102 U - 29.3-2023 - v1.1

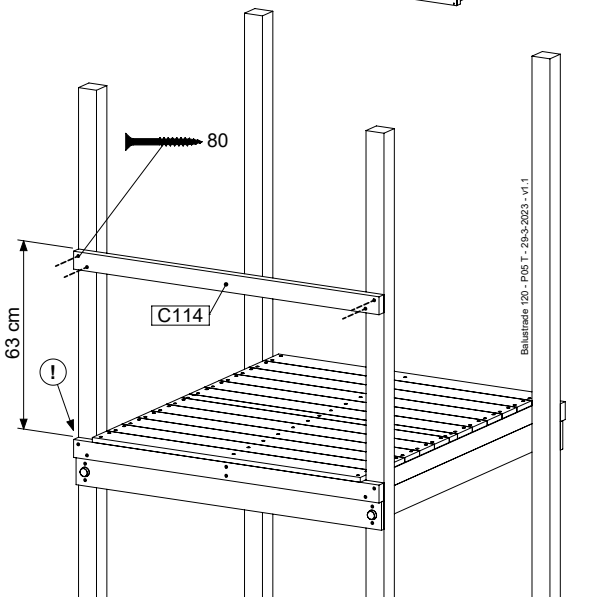
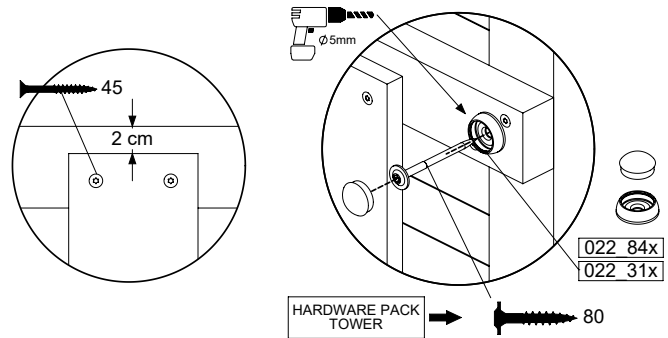
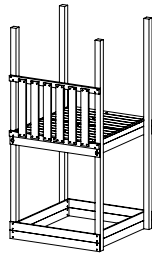
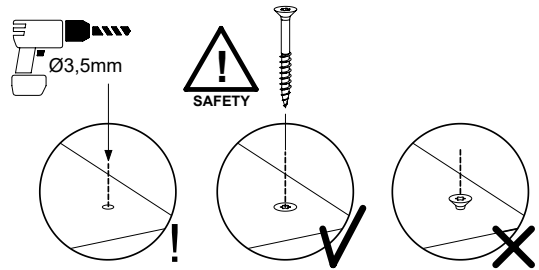
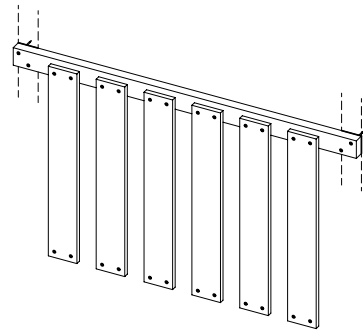


5 BL04a: Balustrade 115 T

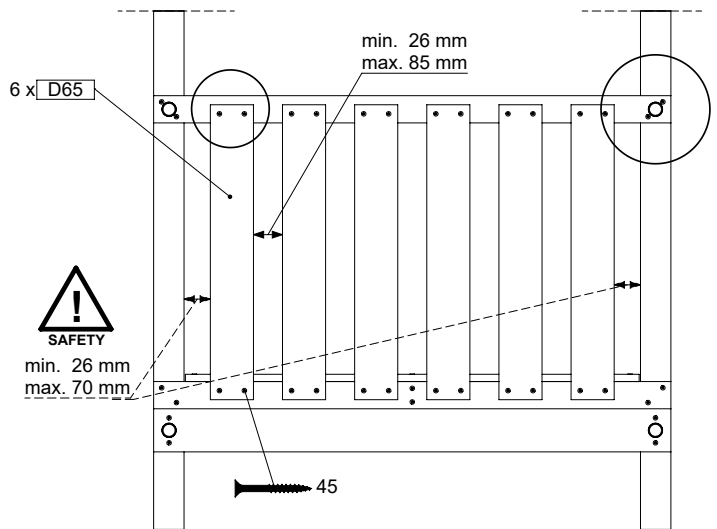
(194_501)

	PartNo	PartName	QTY.
Hardware Pack	002_220	Gap Point Screw T25 - 5x45	24
	002_223	Gap Point Screw T25 - 5x80	4
Timber	C114	Beam 1140 mm	1
	D65	Board 650 mm	6

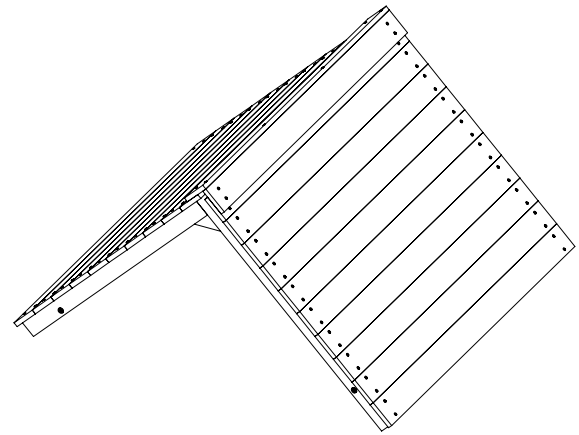
Balustrade 120 - P03 T - 29-3-2023 - v1.1



Balustrade 120 - P03 T - 29-3-2023 - v1.1



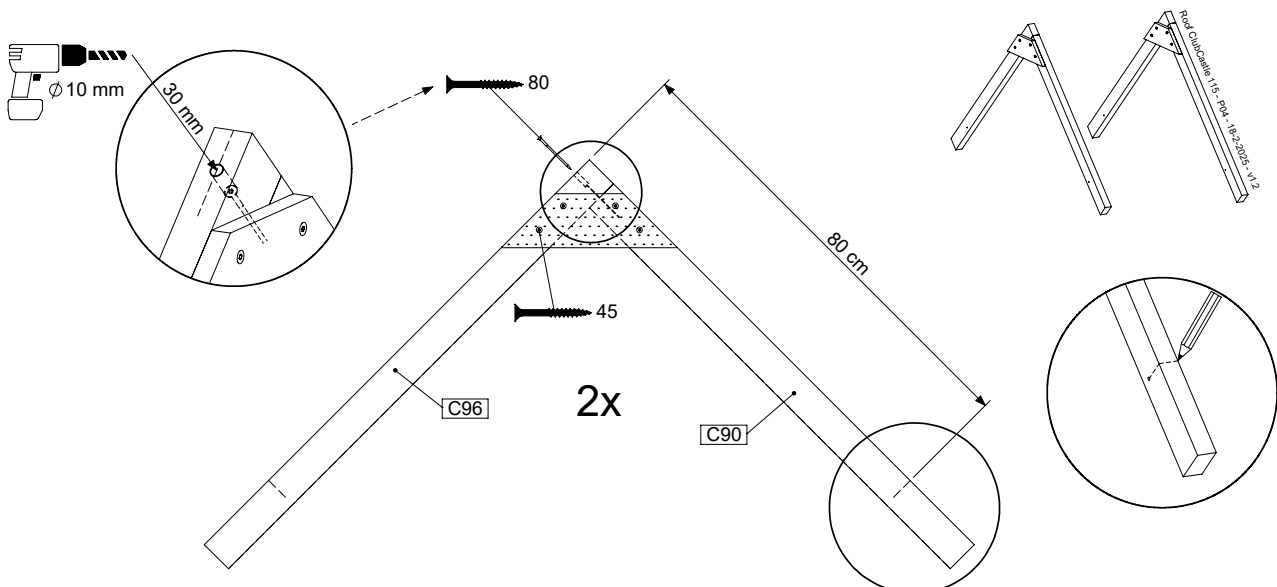
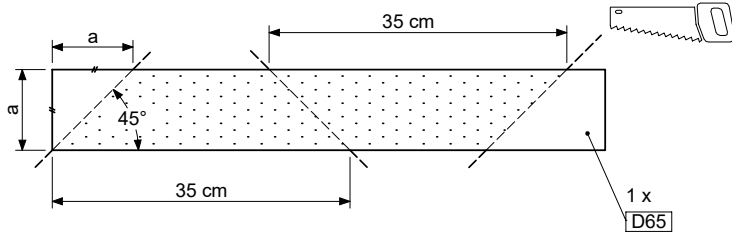
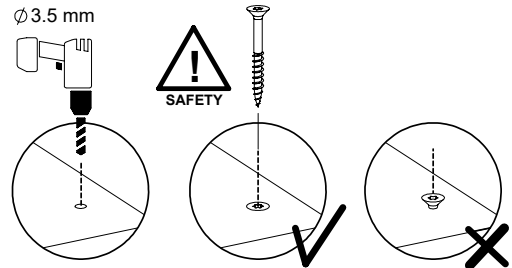
6 RF08b: Roof Timber Gable 115 - 2.0

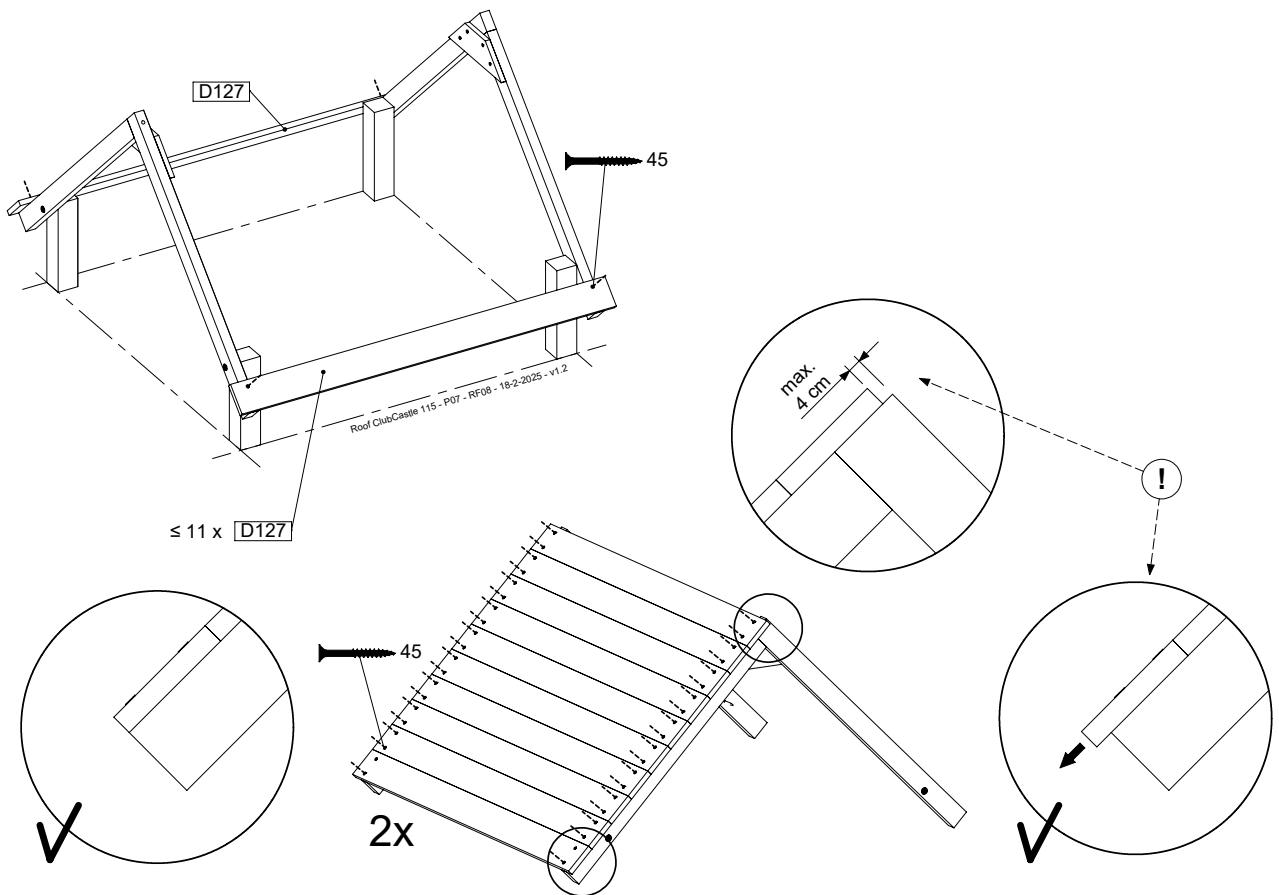
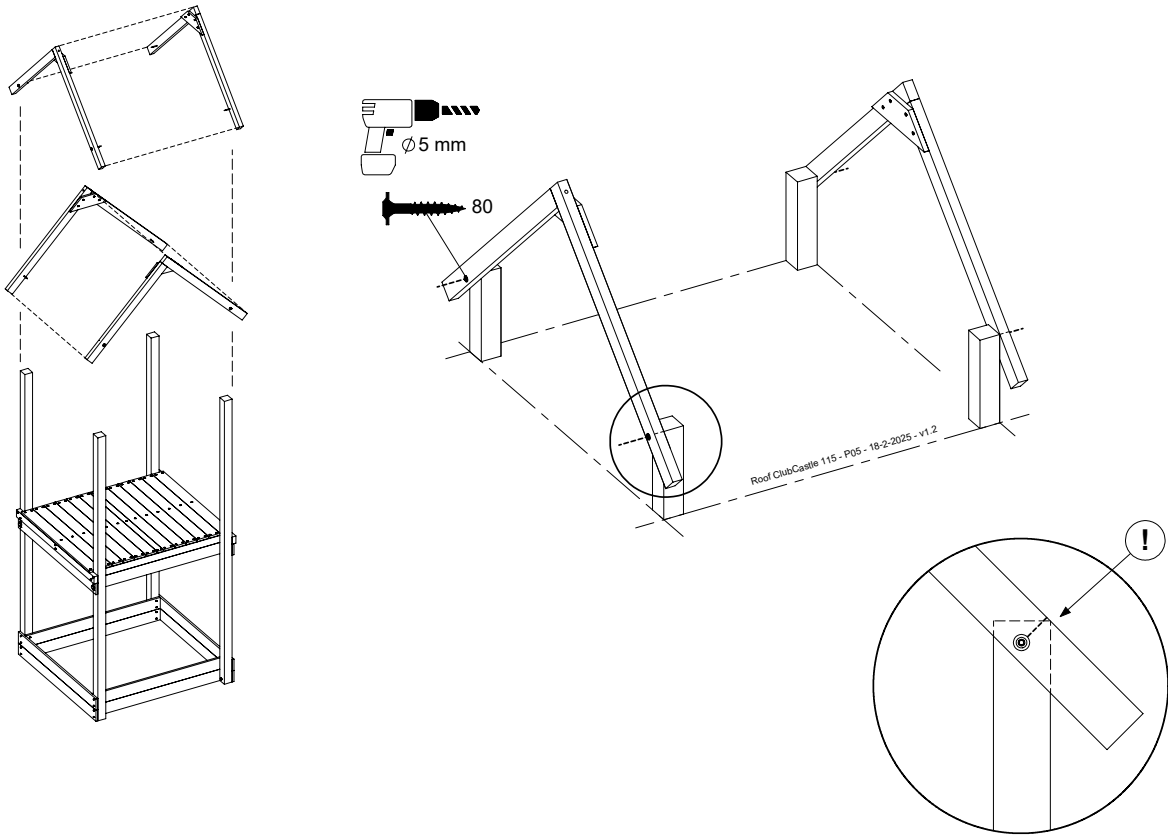


Assembly Pack: 194_308 / 194_804

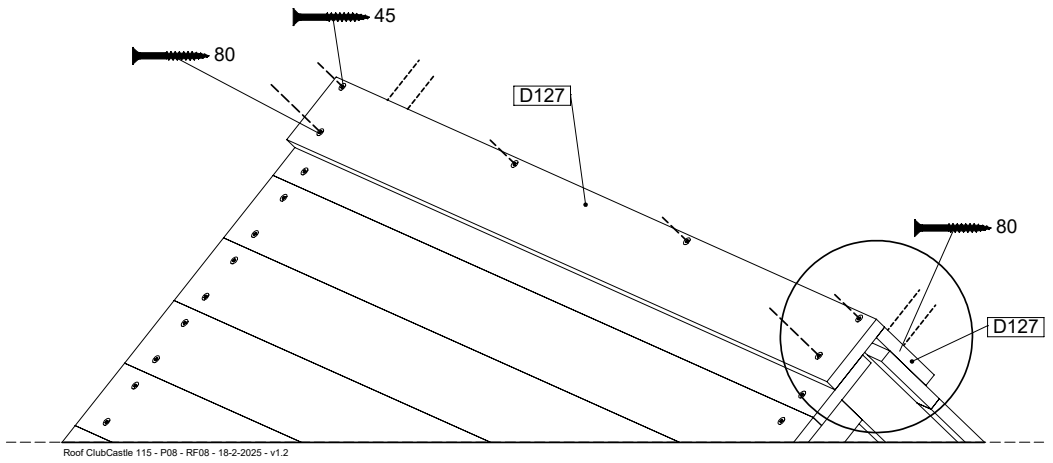
	PartNo	PartName	QTY.
Hardware Pack	001_417	Stealth Screw 8x80	4
	002_220	Gap Point Screw T25 - 5x45	100
	002_223	Gap Point Screw T25 - 5x80	8
Timber	C96	Beam 960 mm	2
	D65	Board 650 mm	1
	D127	Board 1270 mm	24
	C90	Beam 900 mm	2

Roof ClubGable 115 - P03 - RF08 - 18-2-2025 - v1.2

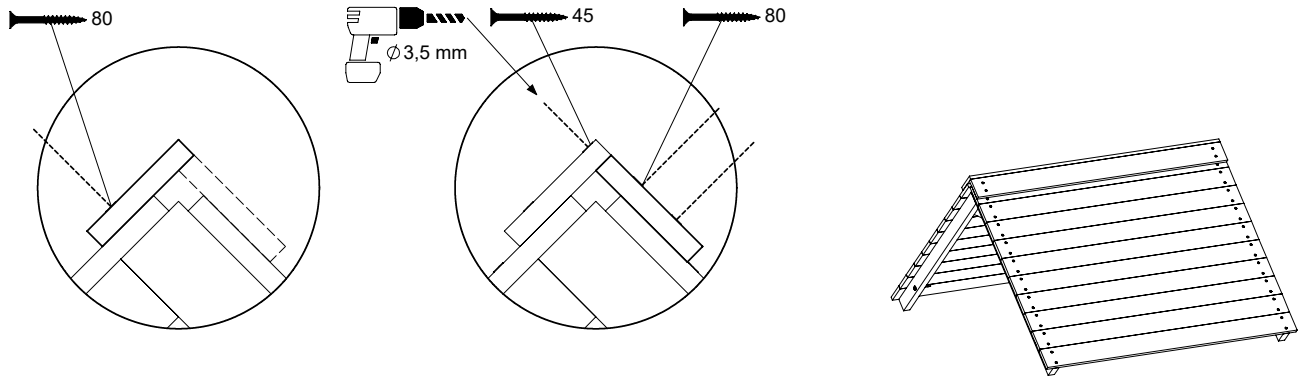




6.2



Roof ClubCastle 115 - P08 - RF08 - 18-2-2025 - v1.2

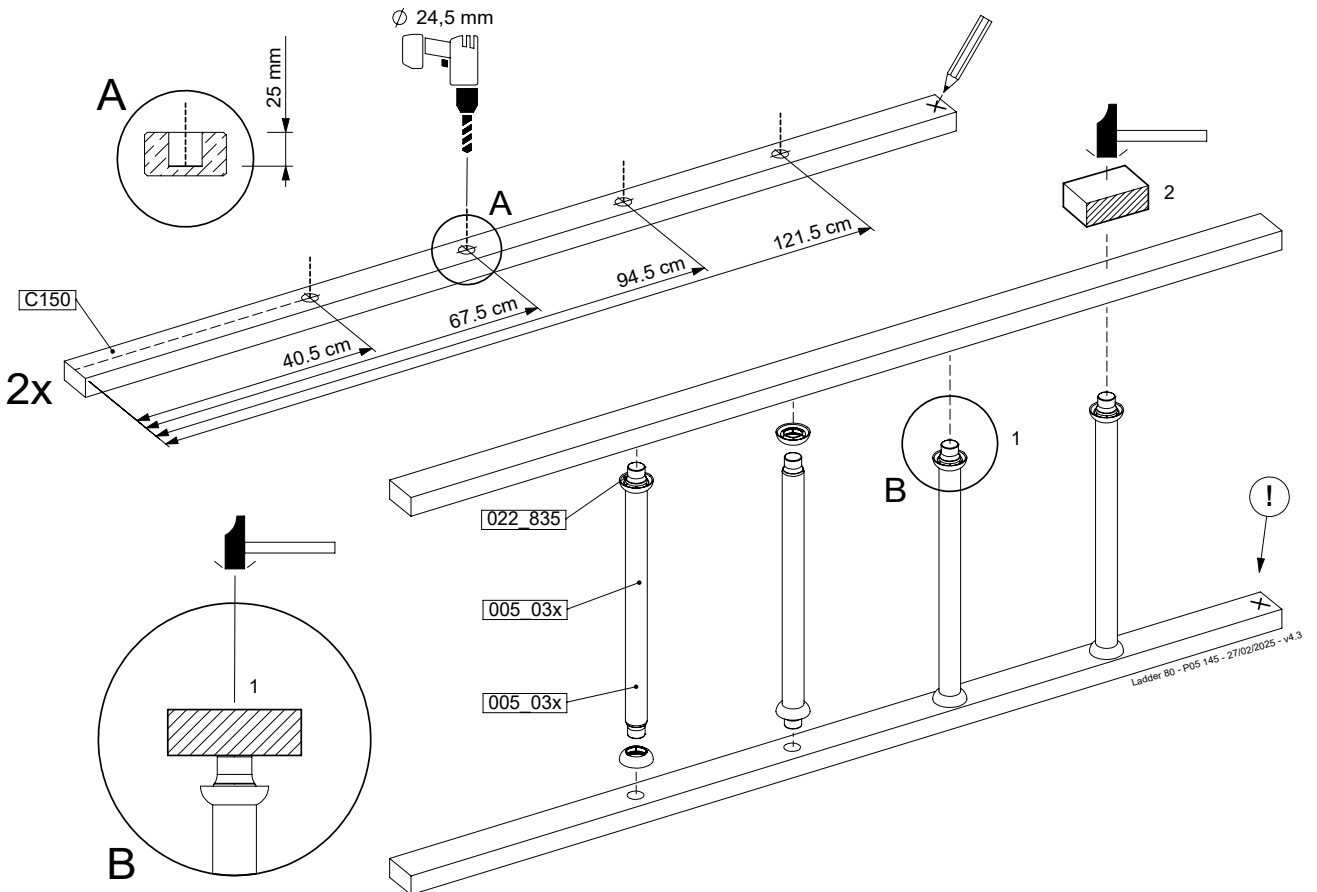
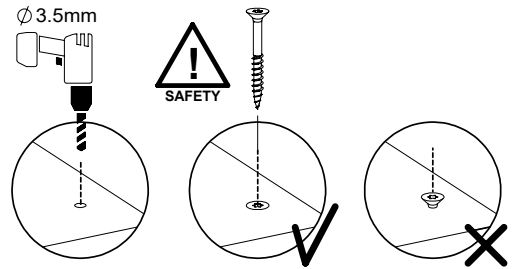
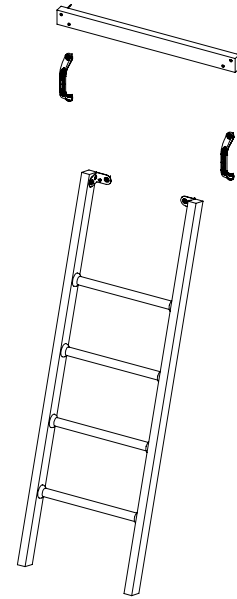


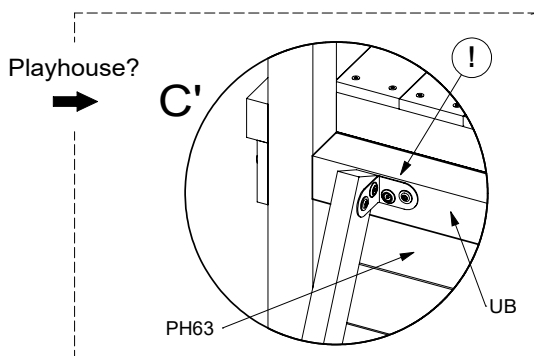
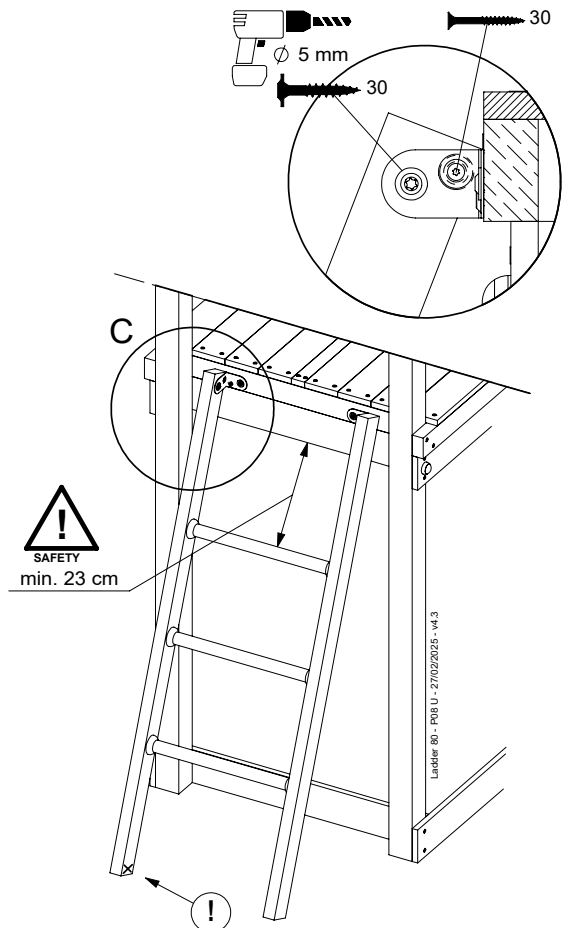
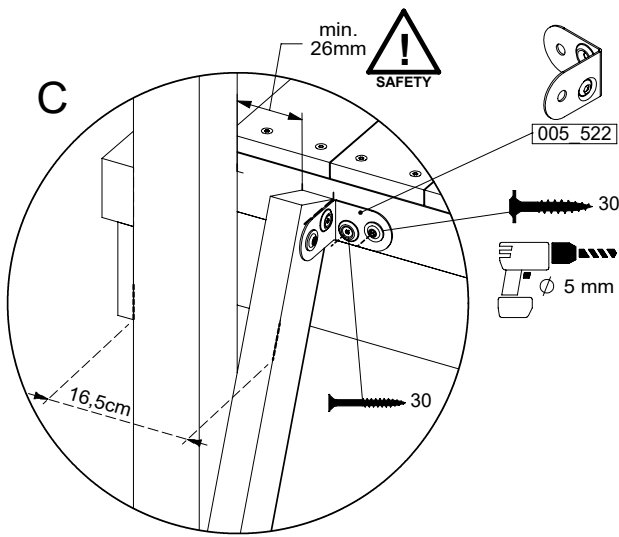
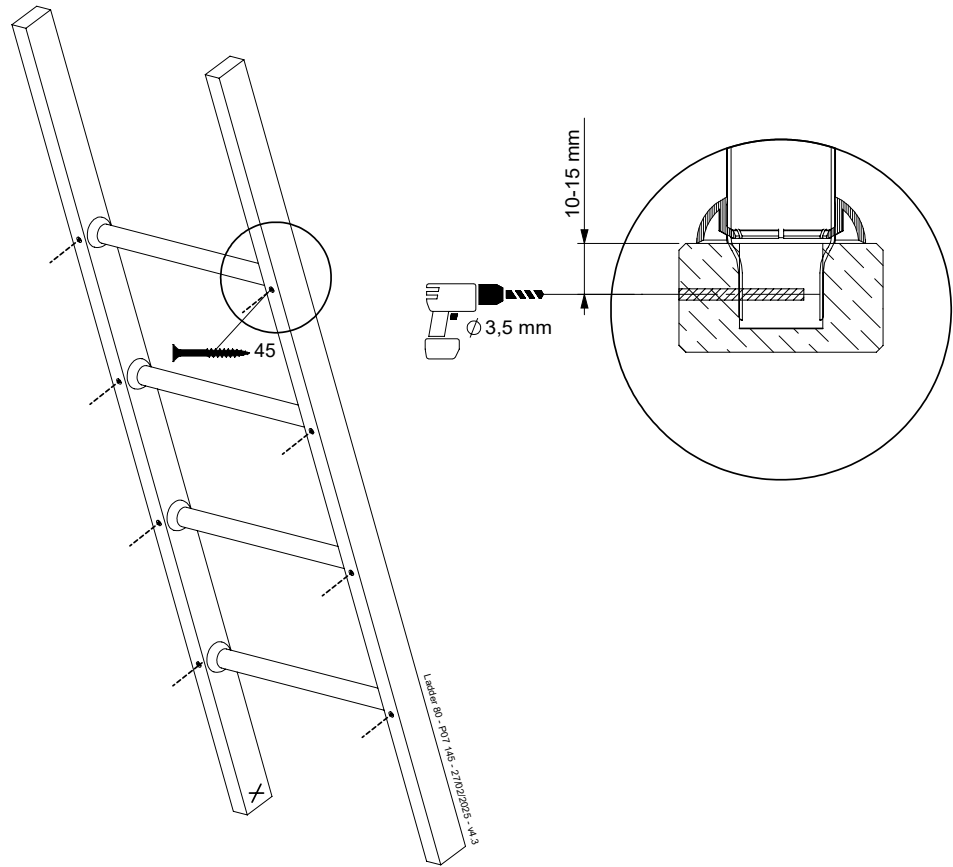
7 LA03b: Ladder 80 145 U

Assembly Pack: 194_104 / 194_004

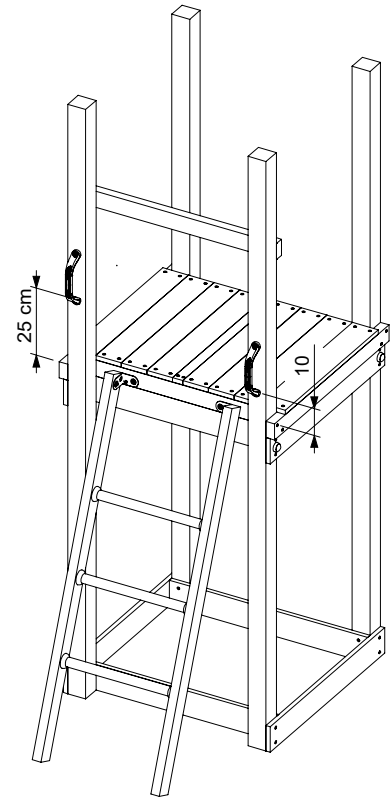
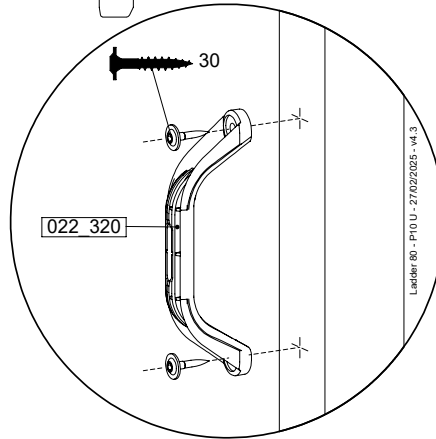
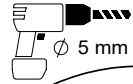
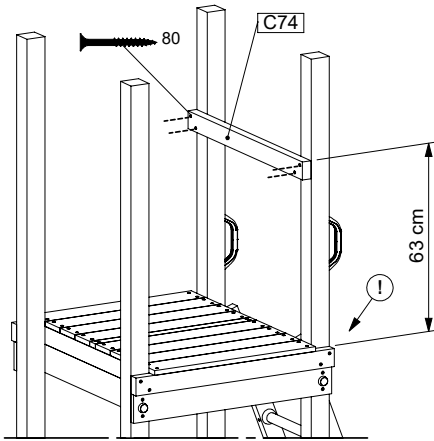
	PartNo	PartName	QTY.
Hardware + Parts	001_404	Stealth Screw 8x30	4
	002_219	Gap Point Screw T25 - 5x30	4
	002_220	Gap Point Screw T25 - 5x45	8
	002_223	Gap Point Screw T25 - 5x80	4
	005_03x	Ladder Rung Y/B/G/R	4
	005_522	Connection Bracket Mini Market	2
	022_835	Rung Cap	8
Timber	C74	Beam 740 mm	1
	C150	Beam 1500 mm	2

Ladder 80 - P05 145 - 27/02/2025 - v4.3





7.2

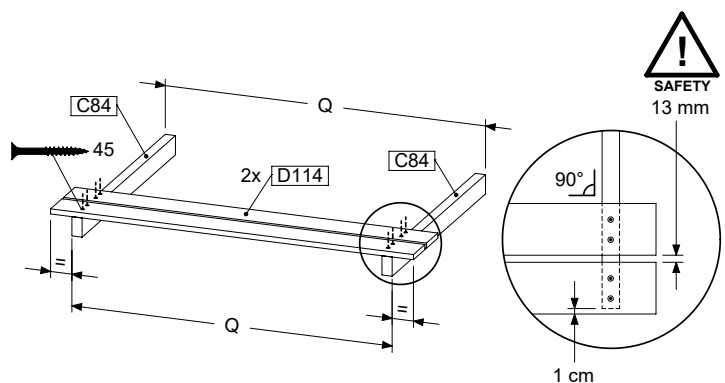
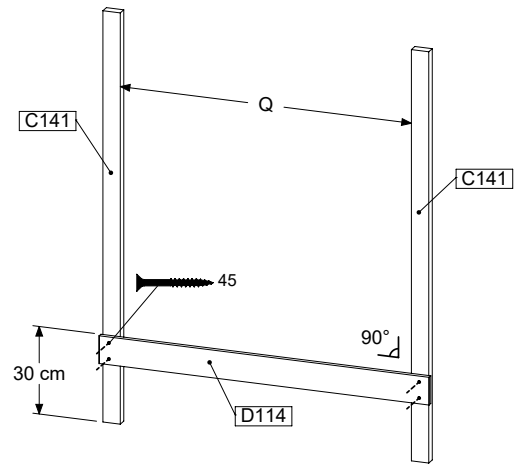
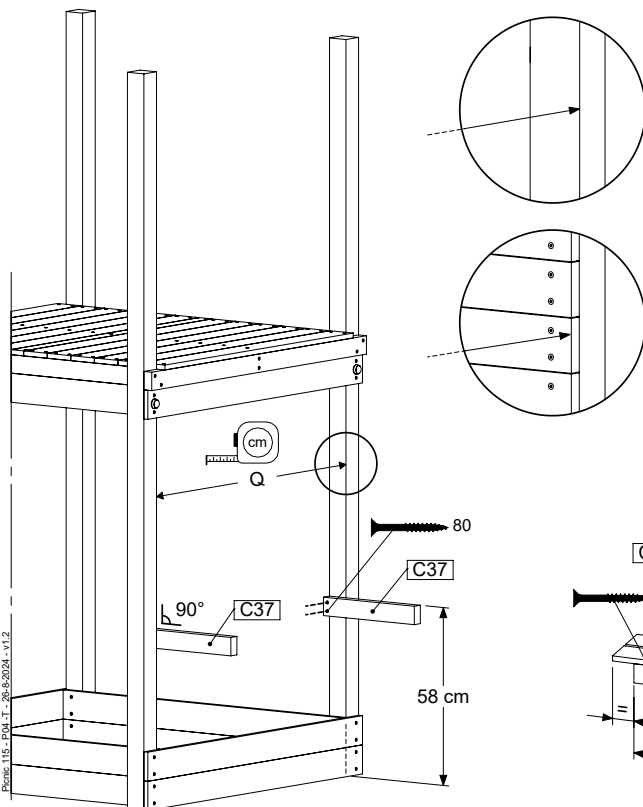
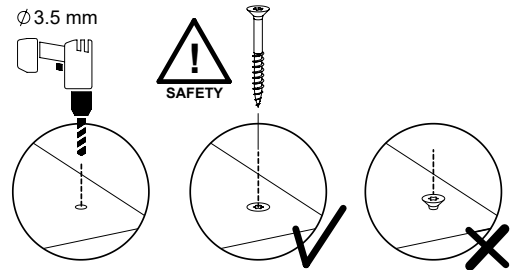
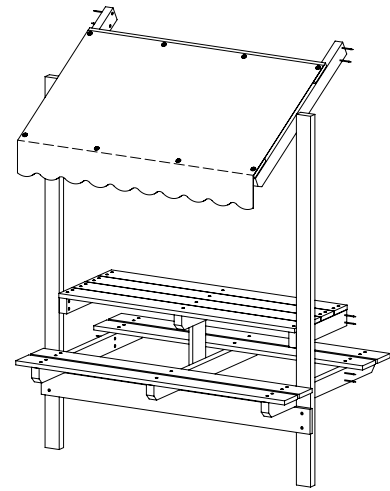


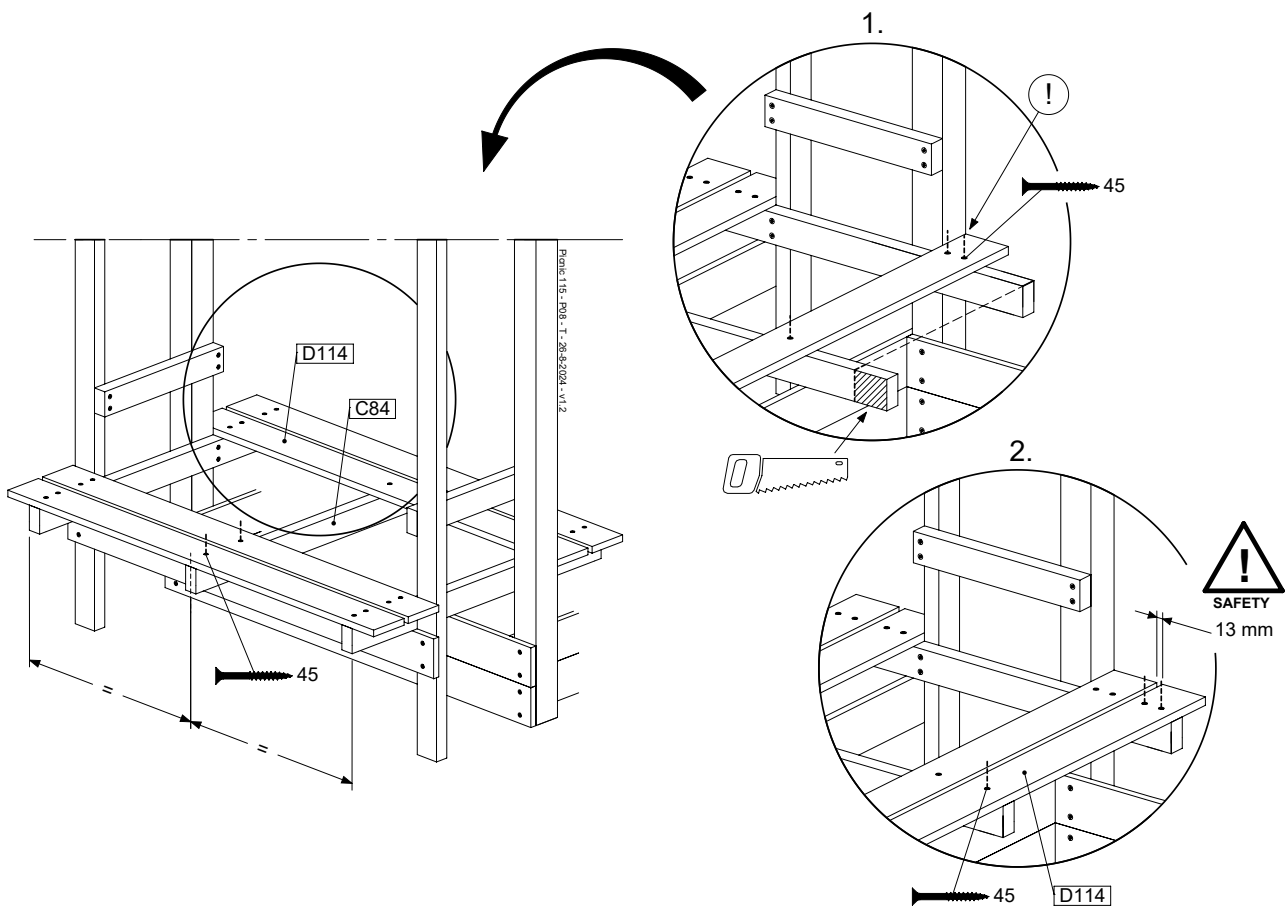
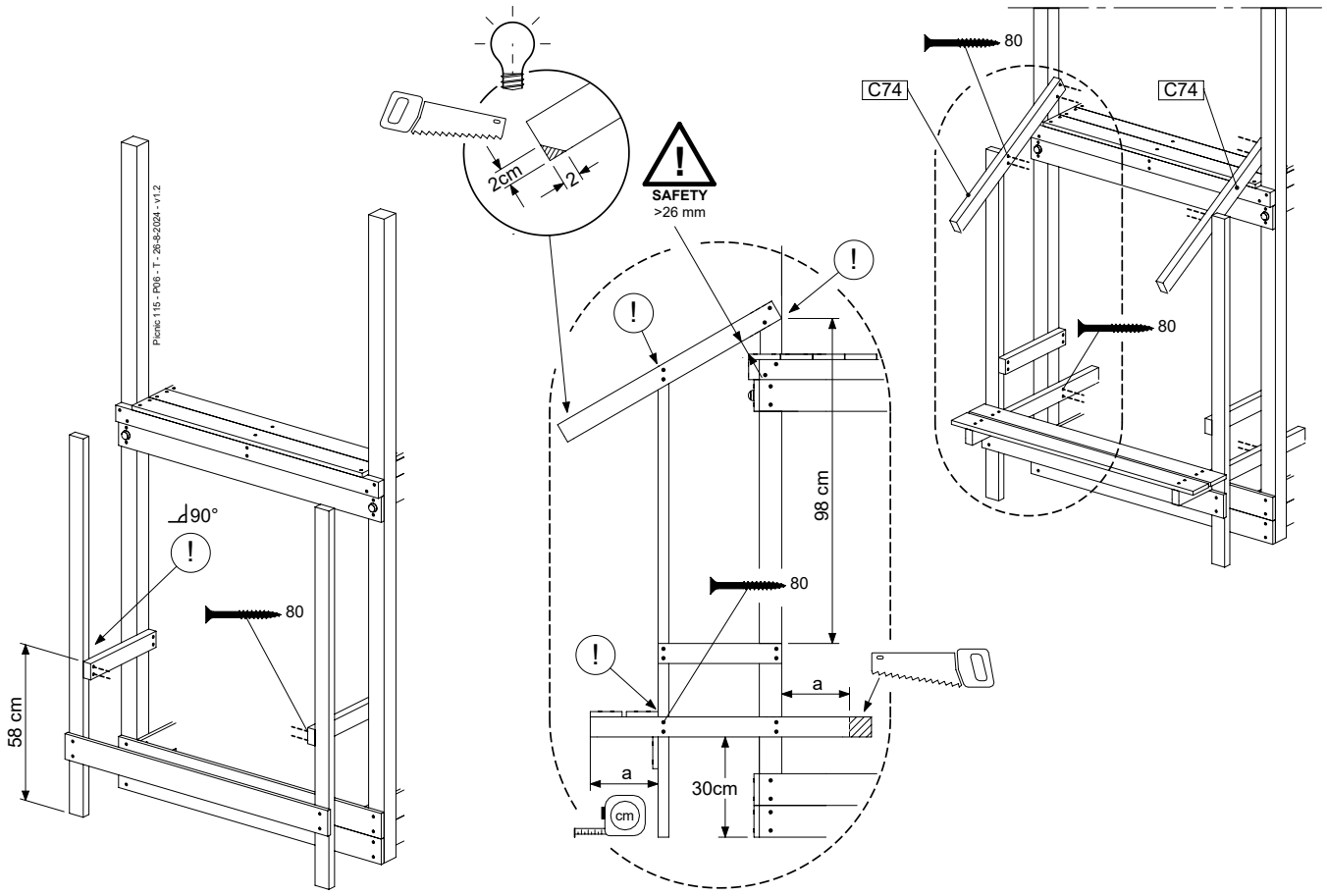
8 PC06a: Picnic 115 T

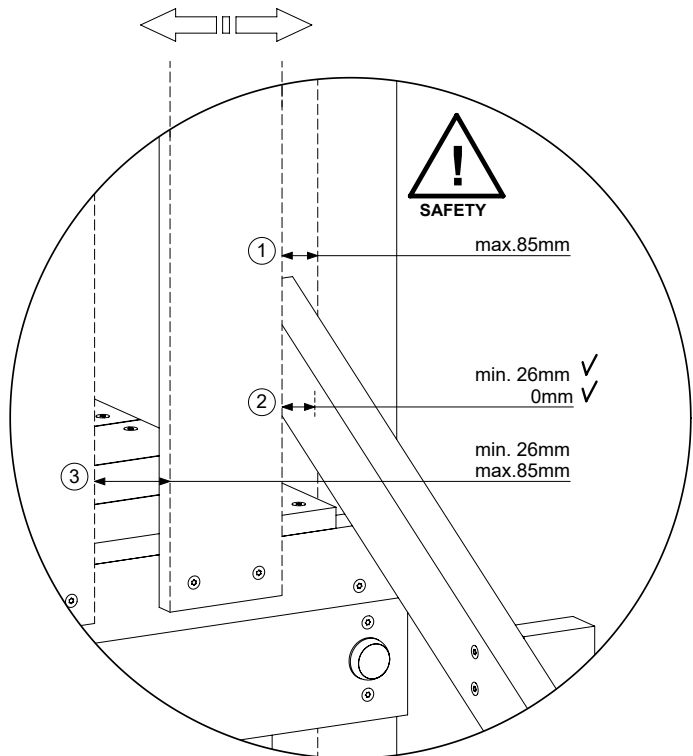
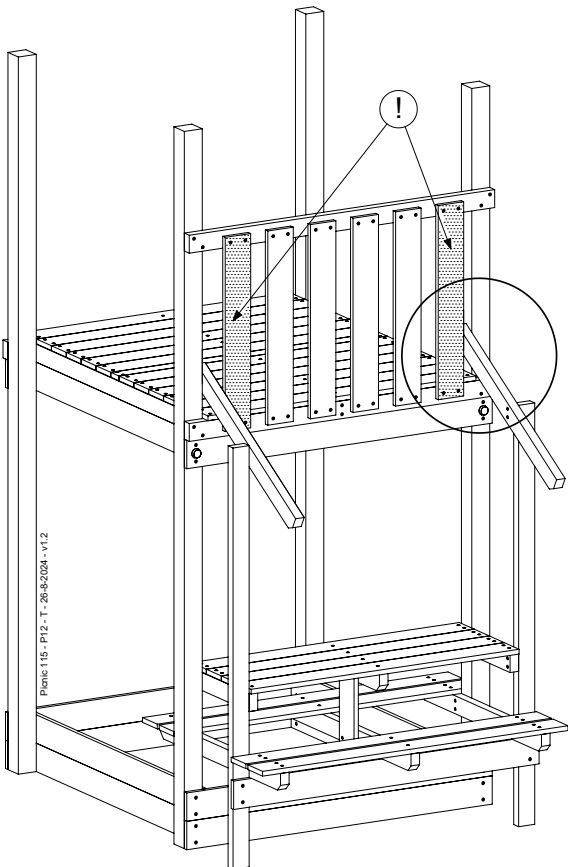
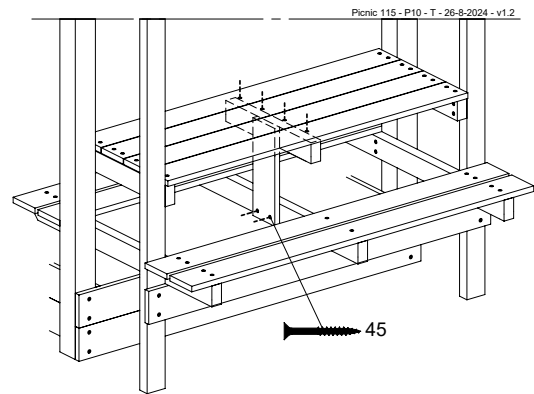
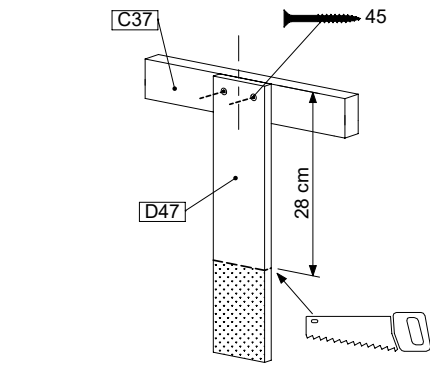
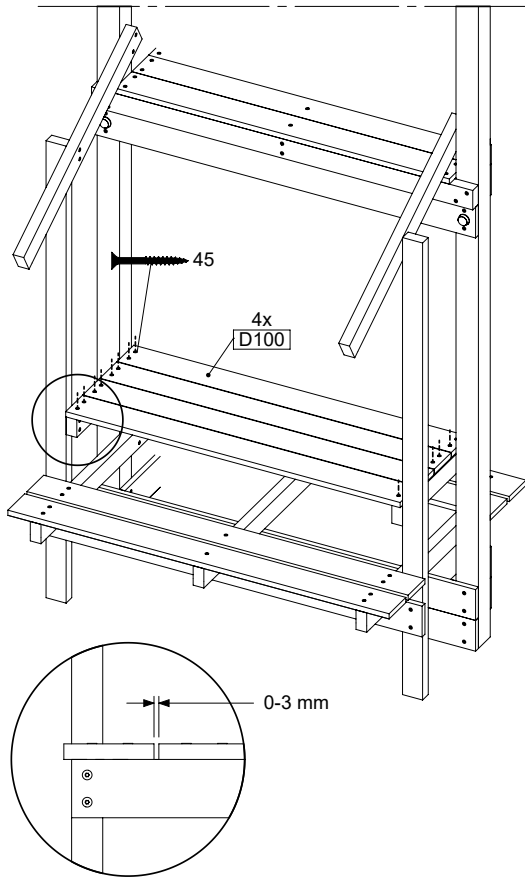
Assembly Pack: 194_810

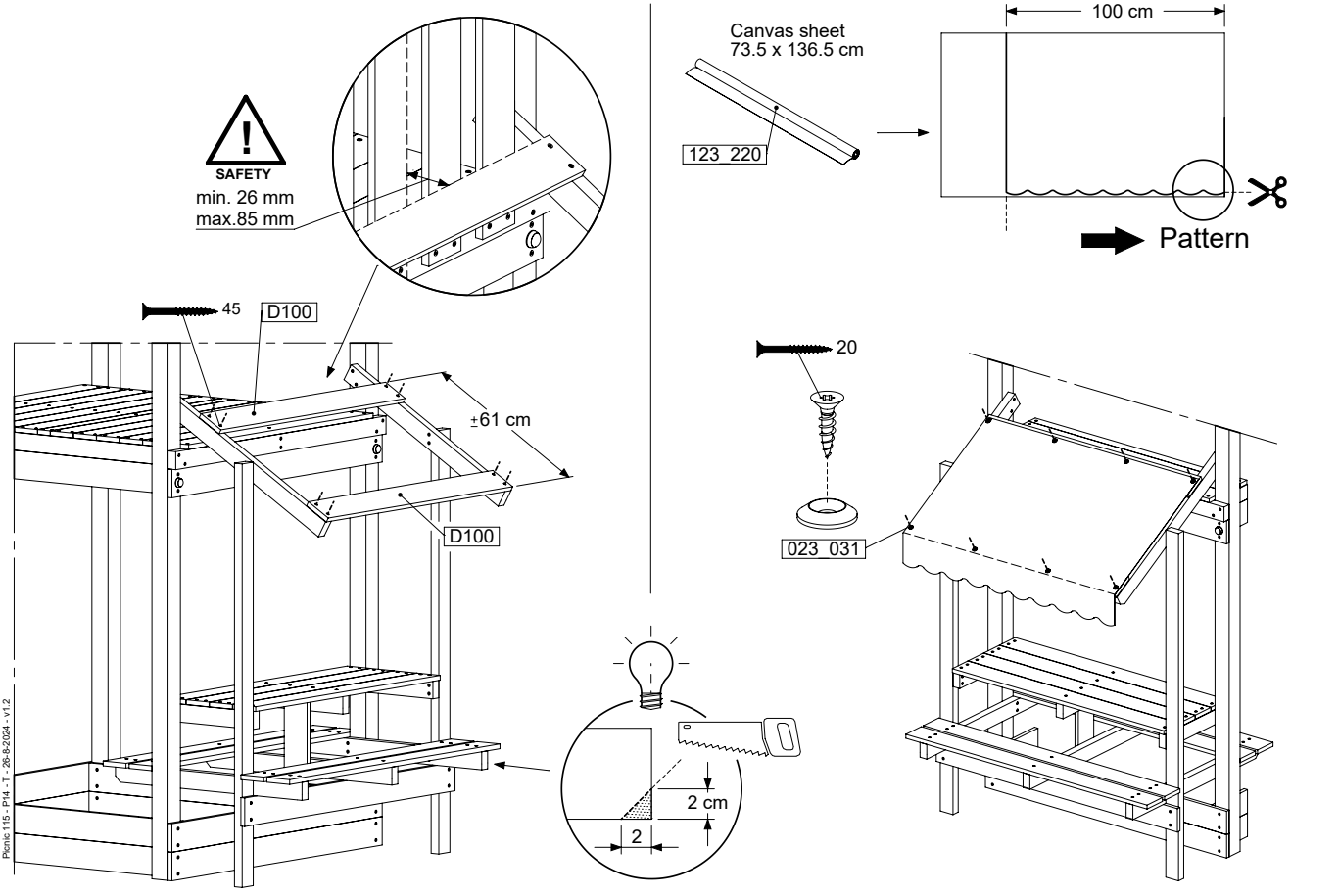
	PartNo	PartName	QTY.
Hardware + Parts	002_220	Gap Point Screw T25 - 5x45	56
	002_223	Gap Point Screw T25 - 5x80	24
	002_308	Gap Point Screw T25 - 5x20	8
	023_031	Finishing Washer GPS 5.0	8
	123_220	Canvas sheet 735x1365mm	1
Timber	C37	Beam 370 mm	3
	C74	Beam 740 mm	2
	C84	Beam 840 mm	3
	C141	Beam 1410 mm	2
	D47	Board 470 mm	1
	D100	Board 1000 mm	6
	D114	Board 1140 mm	5

Picnic 115 - P02 - UJT - 26-8-2024 - v1.2



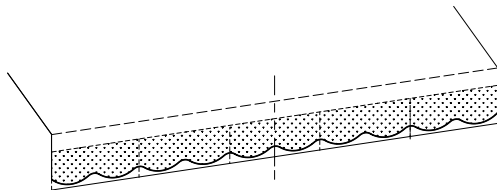




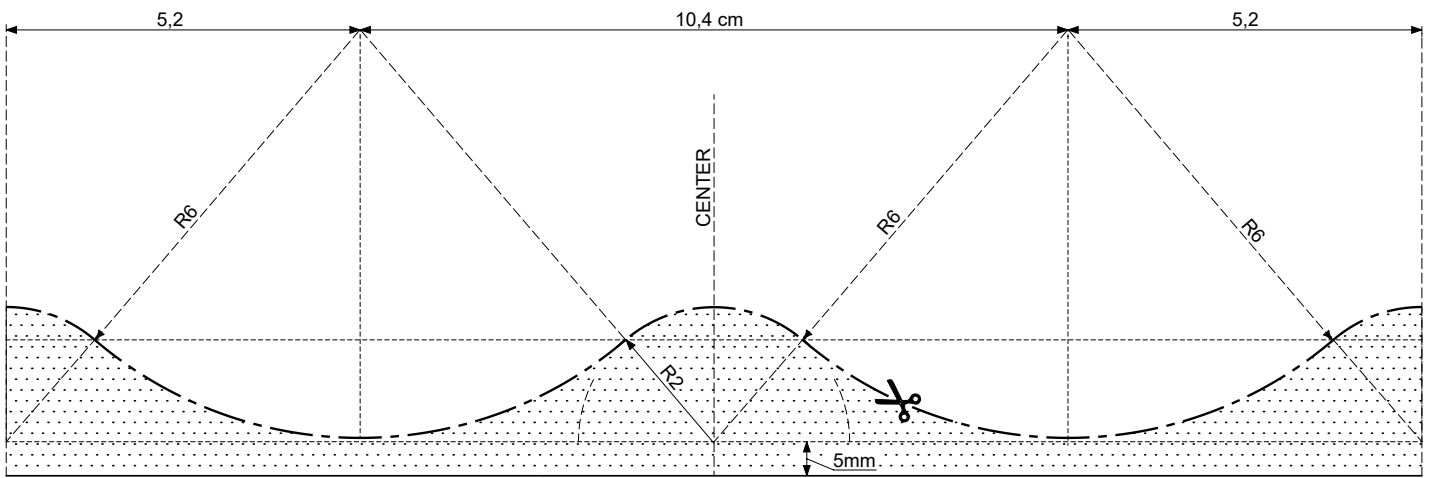


Picnic 115 - P14 - T - 26-8-2024 - v1.2

Manual ID: 048_073_2611



EXAMPLE PATTERN
BEISPIELVORLAGE FÜR MARKISE
SCHÉMA SUGGÉRÉ DE DÉCOUPE POUR AUVENT
VOORBEELDSJABLOON LUIFEL



Picnic 115 - P15 - Pattern - 26-8-2024 - v1.2

← repeat

repeat →

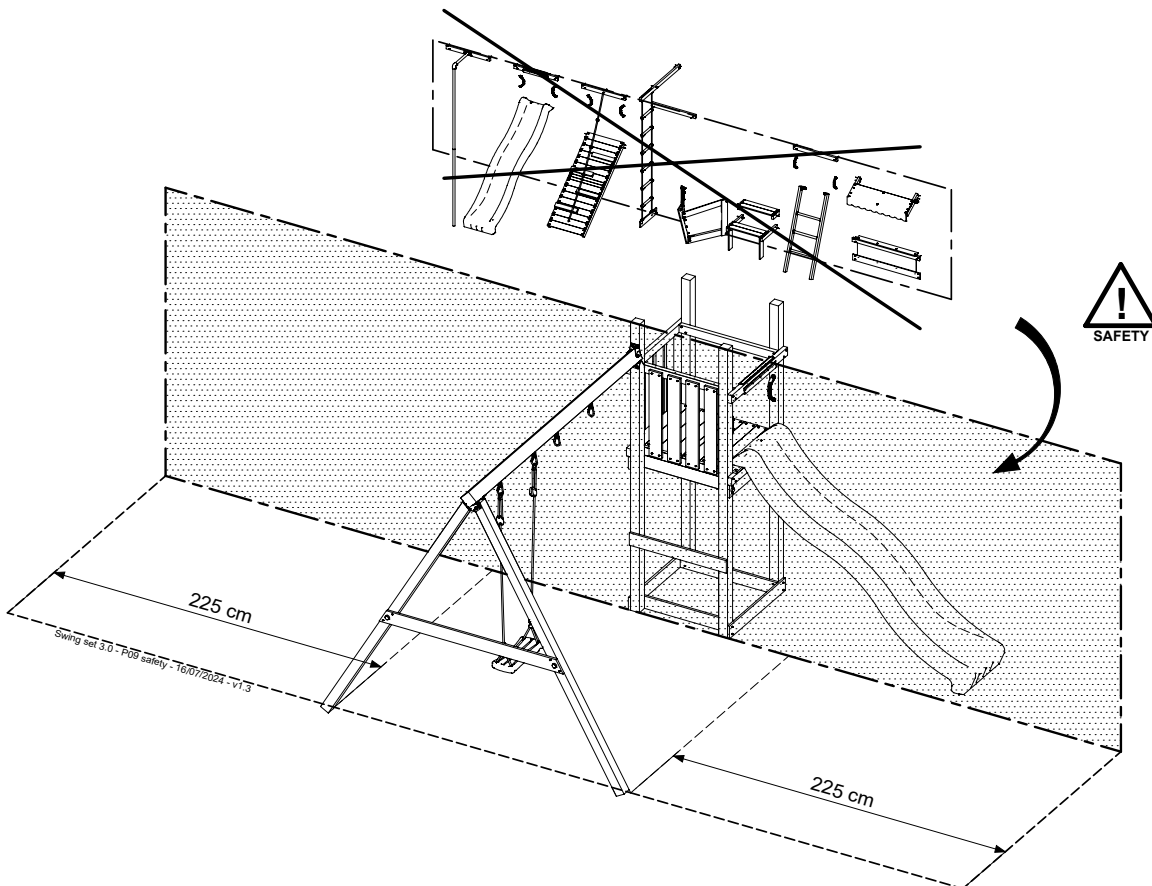
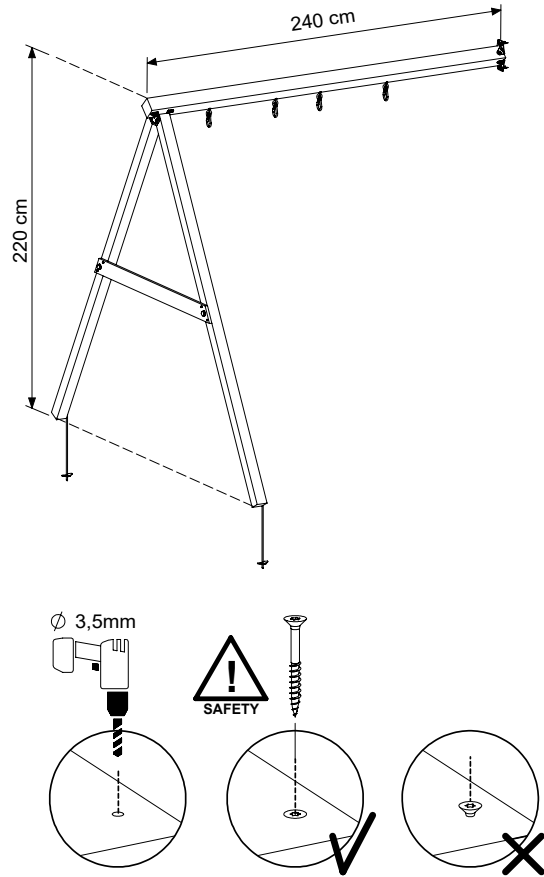
! Scale of print may not be accurate.
Druckformat kann abweichen.
Les tailles imprimées peuvent varier.
Printformaat kan afwijken.

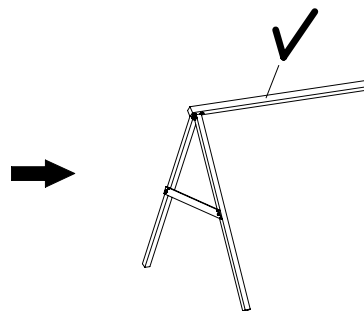
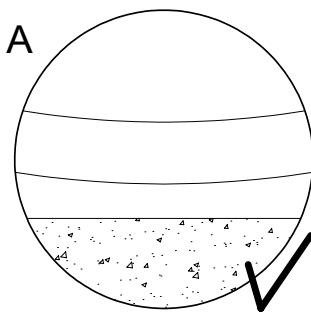
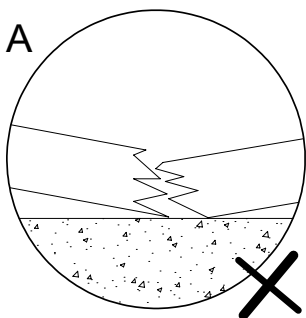
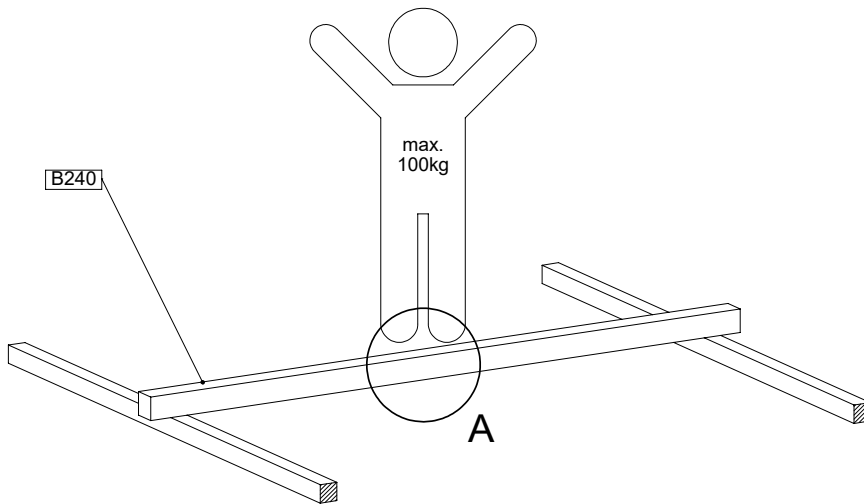
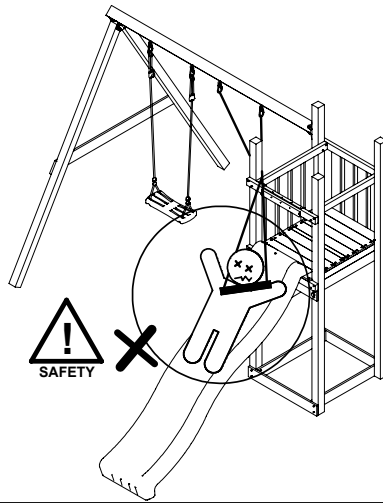
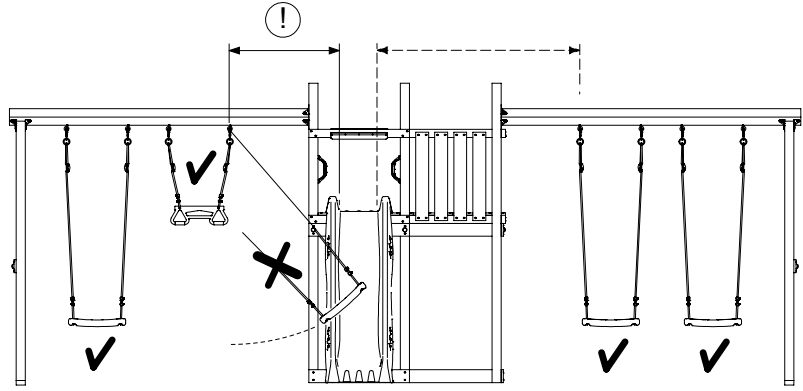
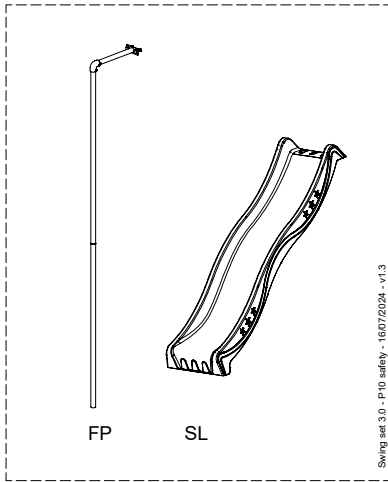
9 SW14a: 2- Swing Module 220 - 3.0

Assembly Kit: 457_103

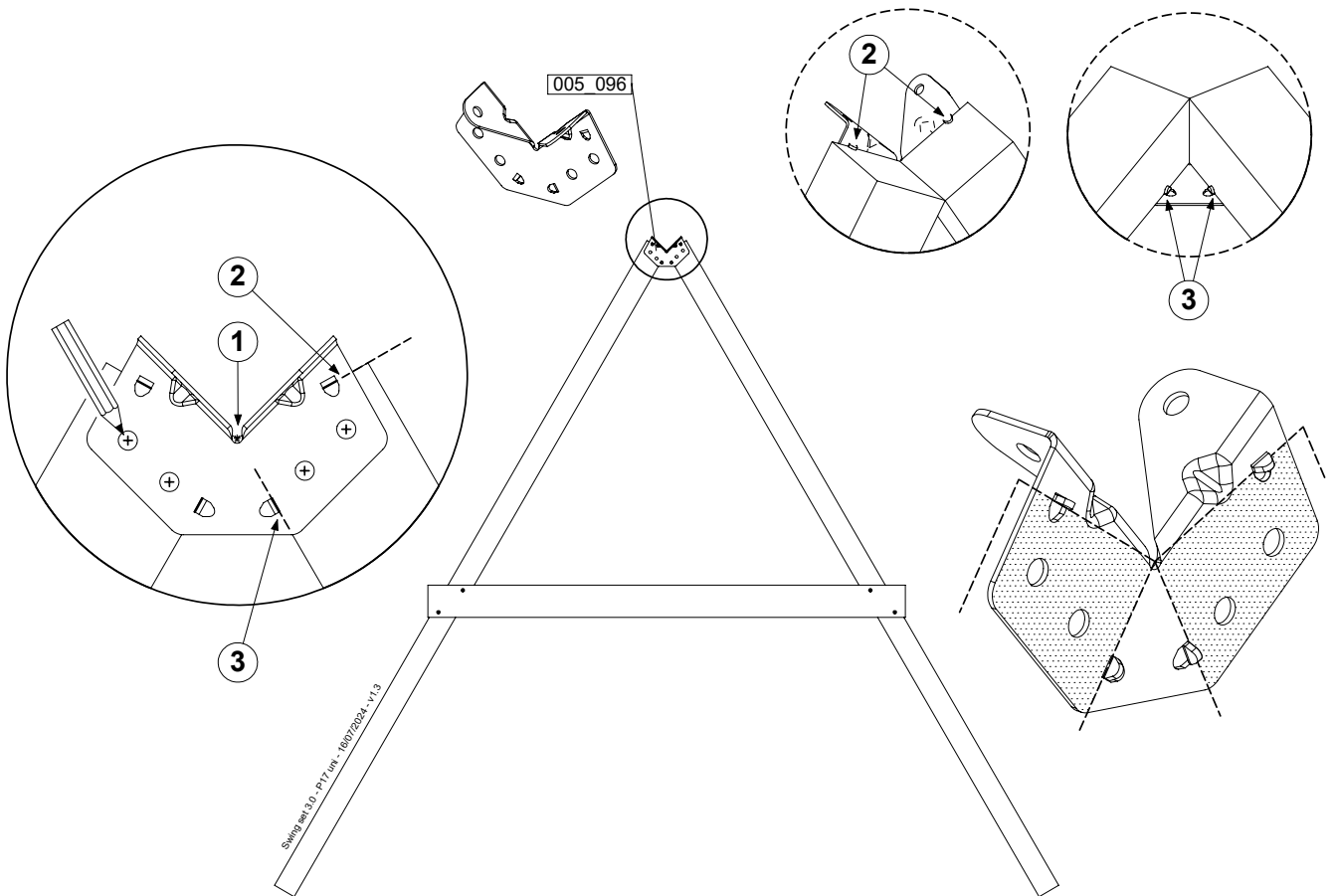
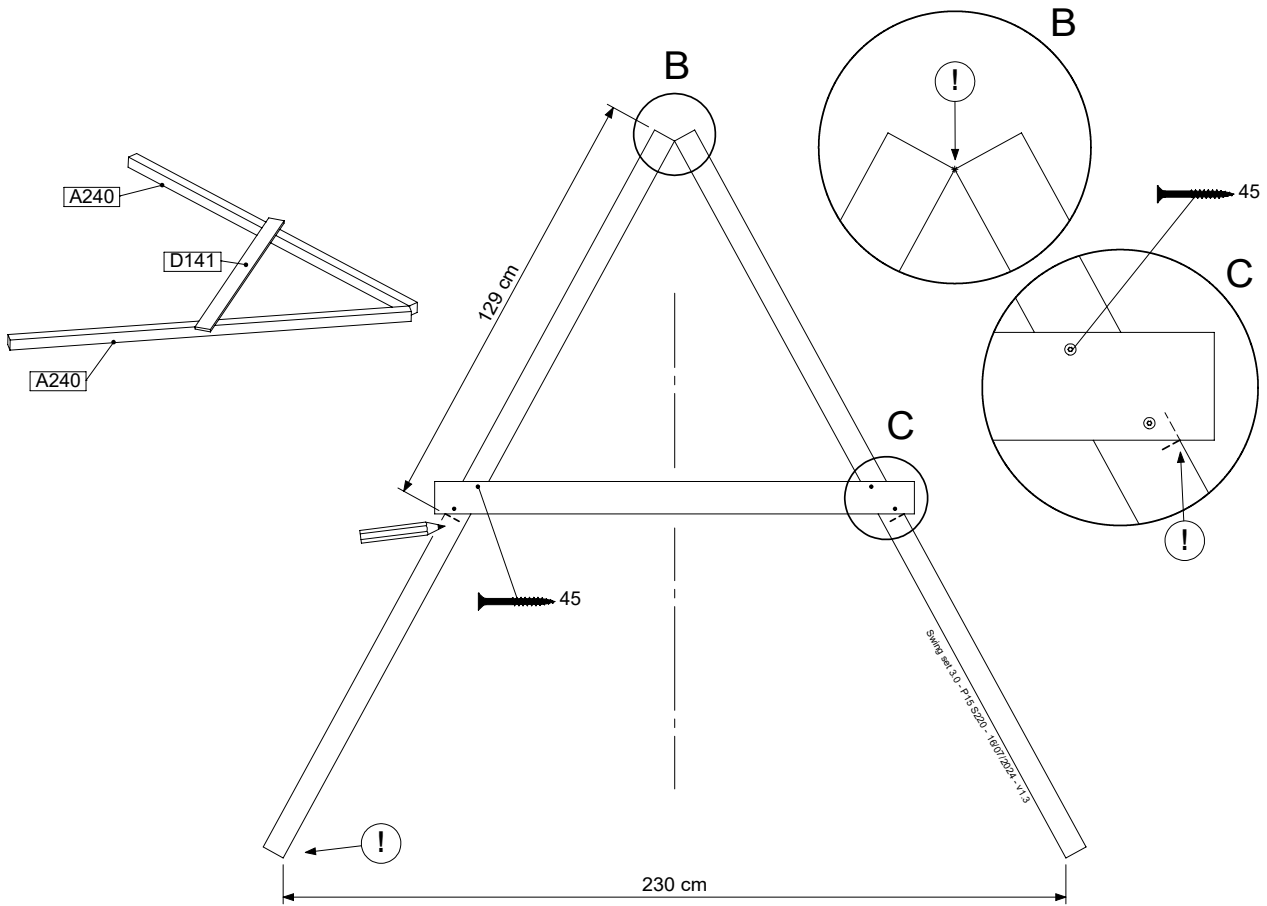
	PartNo	PartName	QTY.
Hardware + Parts	001_404	Stealth Screw 8x30	4
	001_406	Stealth Screw 8x45	22
	001_411	Stealth Screw 8x60	2
	001_417	Stealth Screw 8x80	2
	002_220	Gap Point Screw T25 - 5x45	8
	002_223	Gap Point Screw T25 - 5x80	2
	022_31x	bpc-base version 3	2
	022_84x	bpc cover	2
	023_042	Nylon washer 9x19x1.5	20
	005_096	A-Frame V-Connector	2
	005_097	Swing V-Connector	2
	007_001	Ground-anchor	2
	101_003	Swing hook with Carabiner	4
Timber	A240	Post ca.70x70 L2400	2
	B240	Post ca.90x90 L2400	1
	D141	Board 1410 mm	2

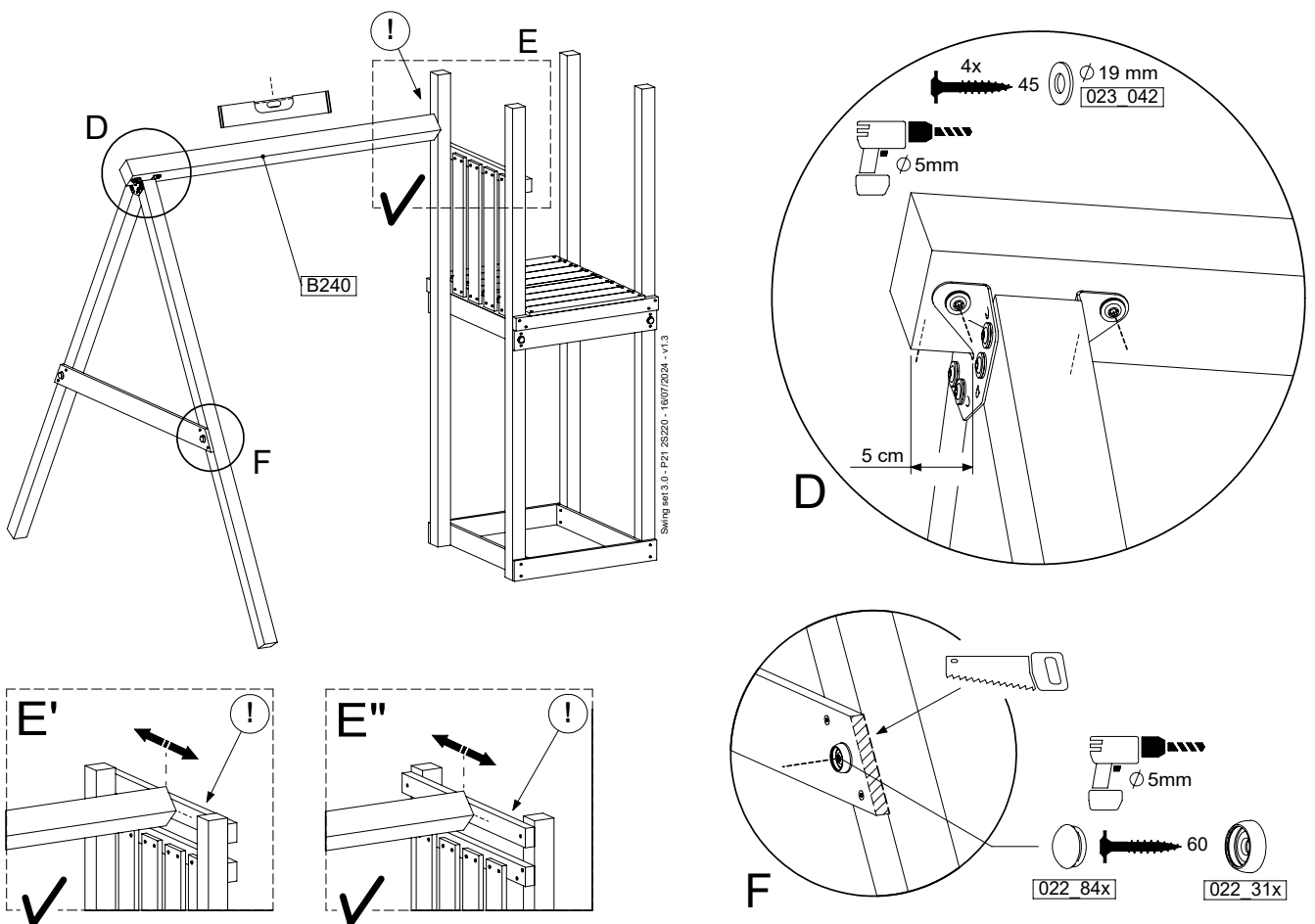
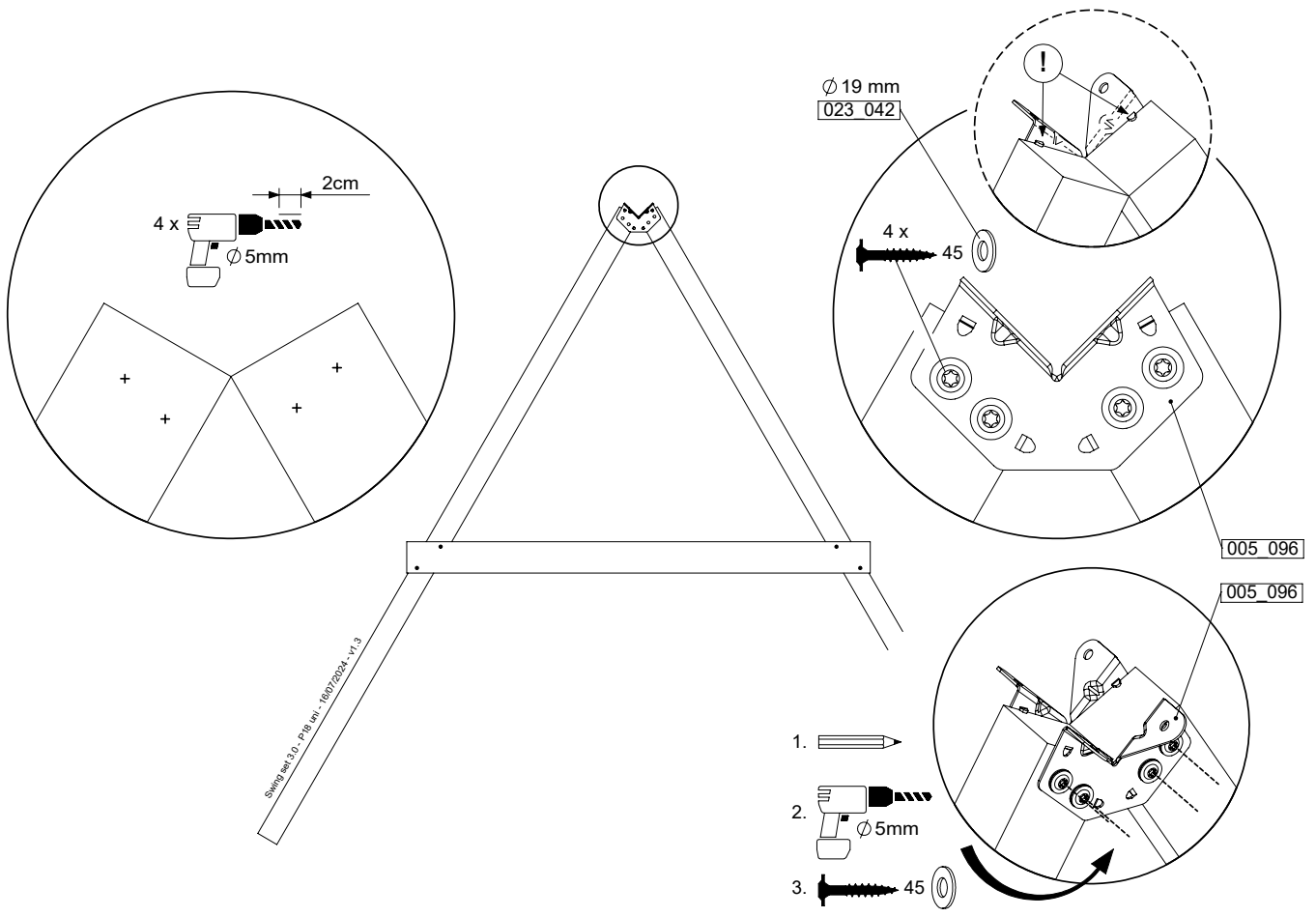
Swing set 3.0 - P00-25220 - 16/07/2024 - v1.3

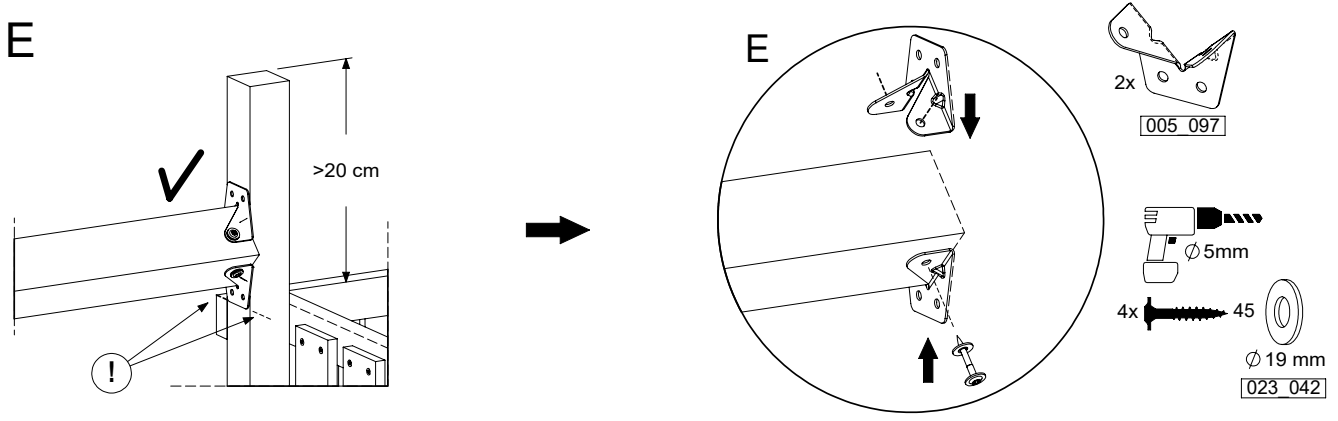




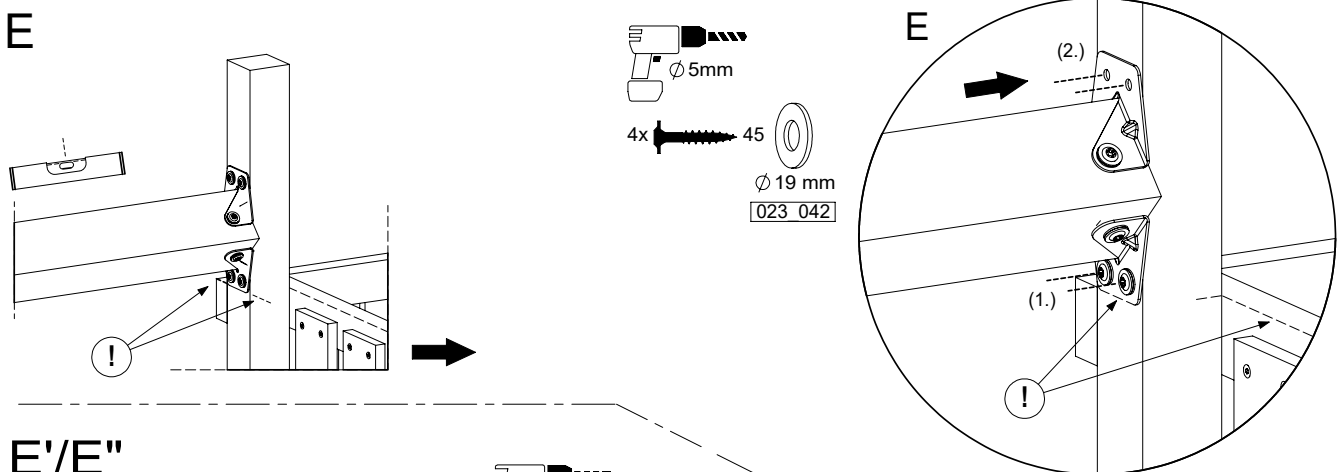
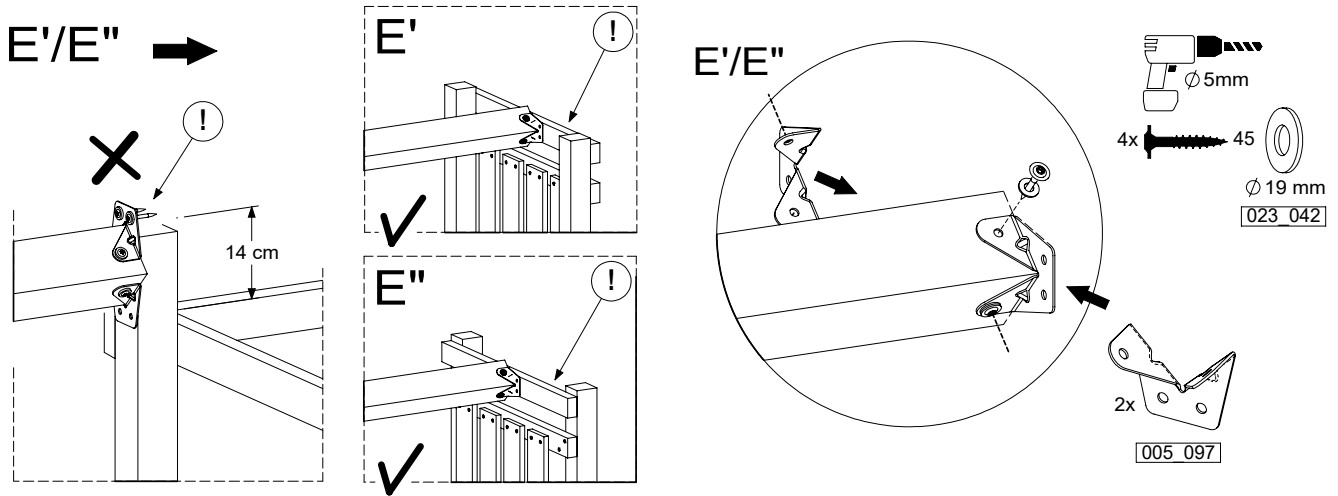
Swing set 3.0 - P13 25220 - 16/07/2024 - v1.3



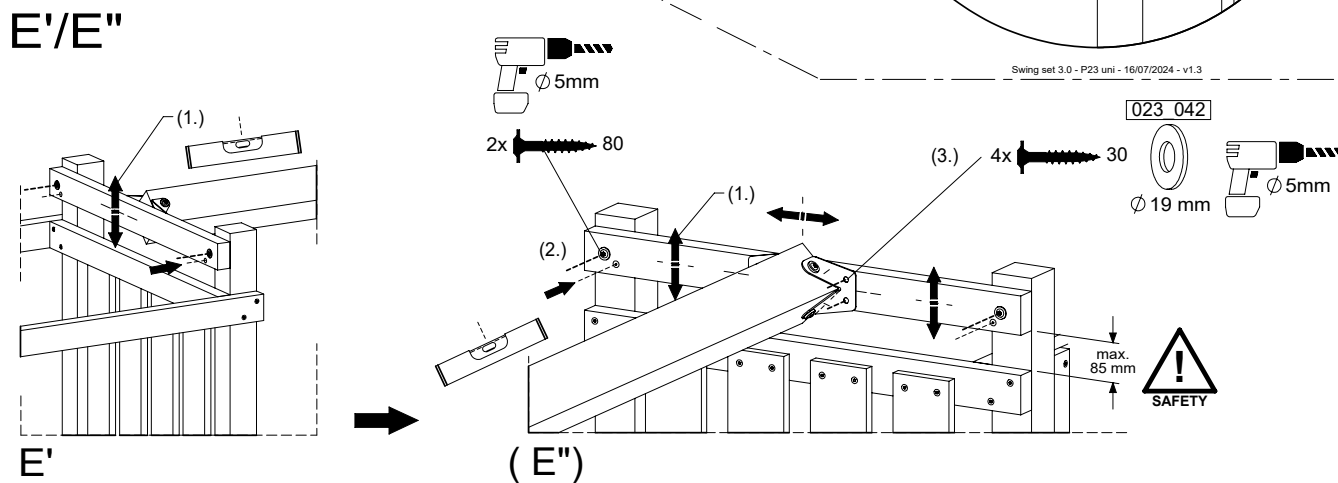


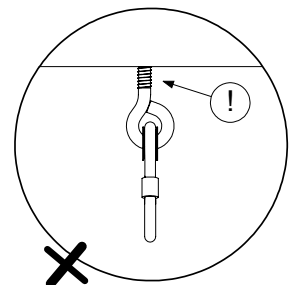
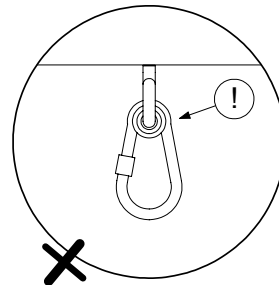
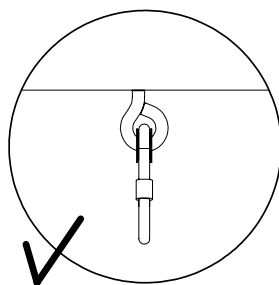
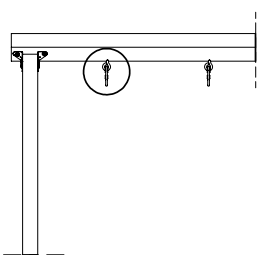
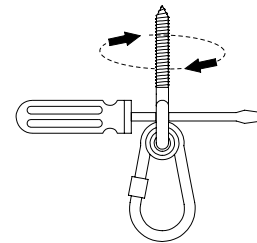
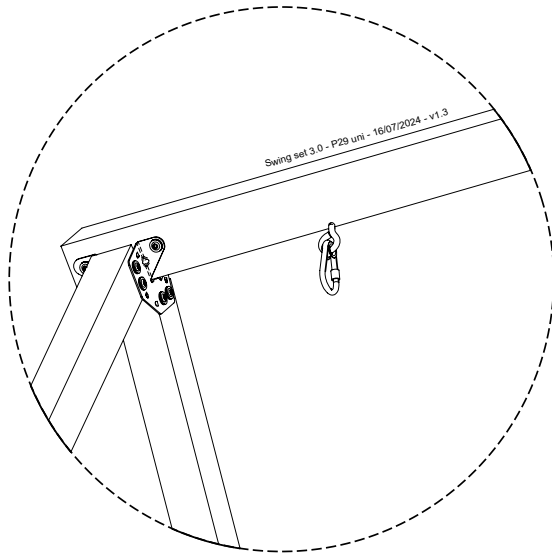
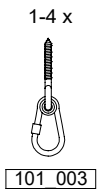
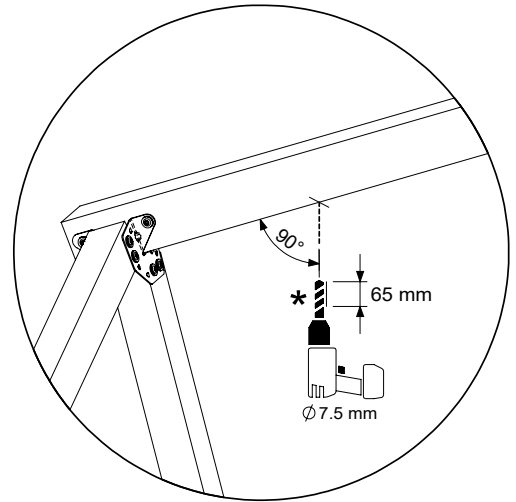
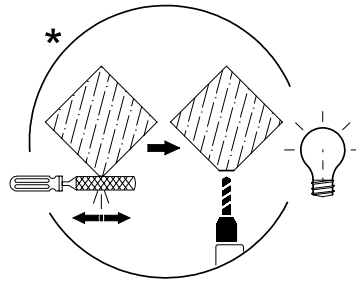
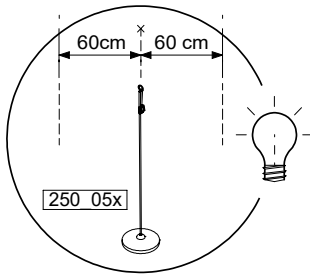
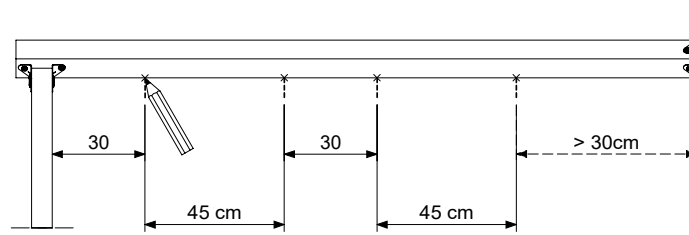
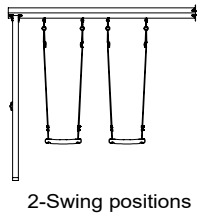


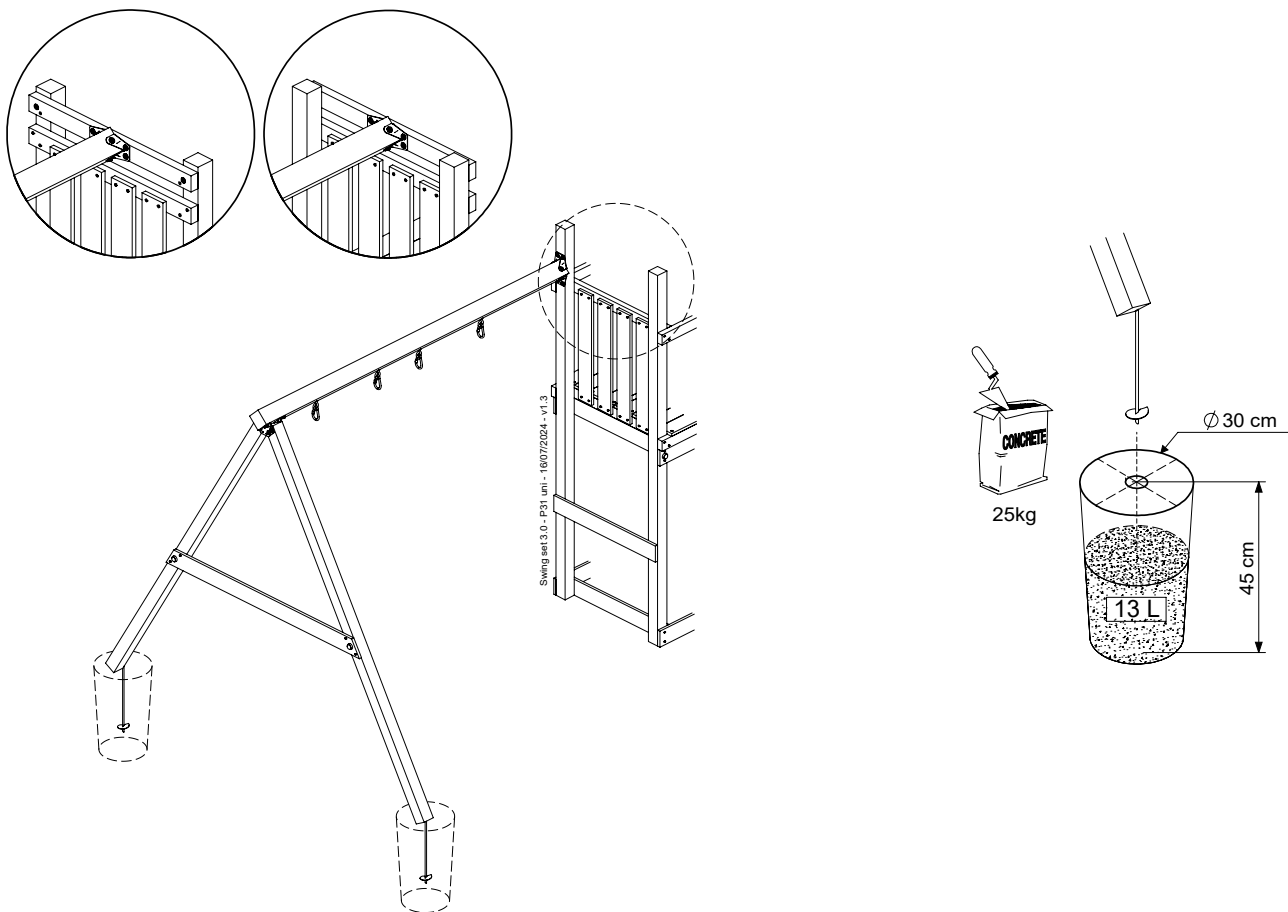
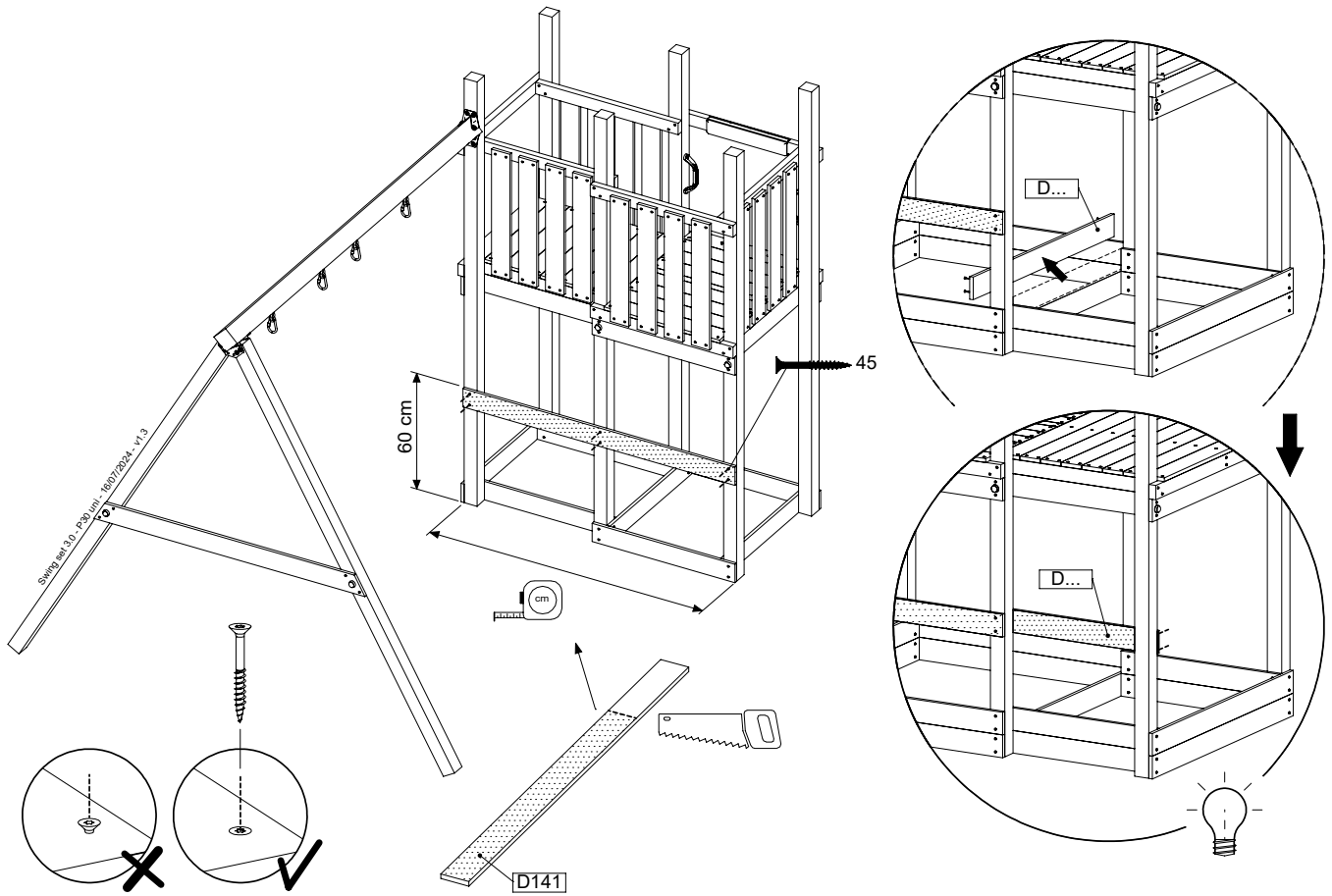
Swing set 3.0 - P22 uni - 16/07/2024 - v1.3

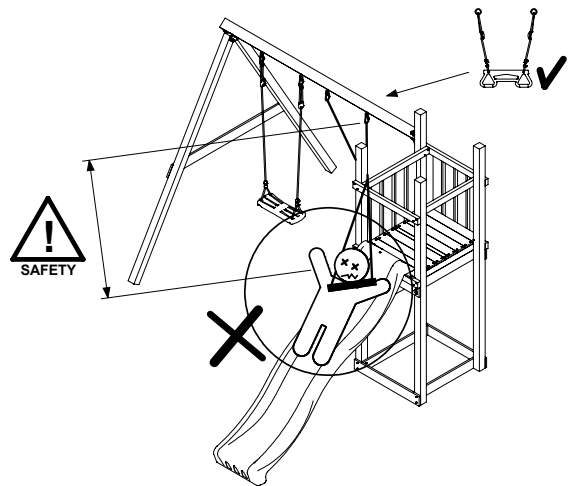
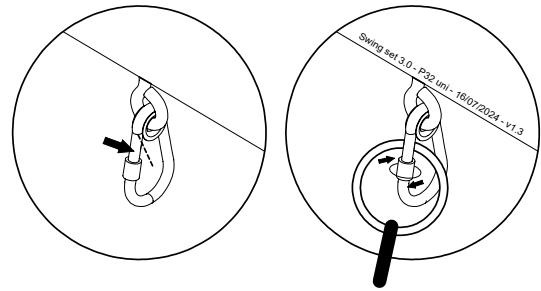
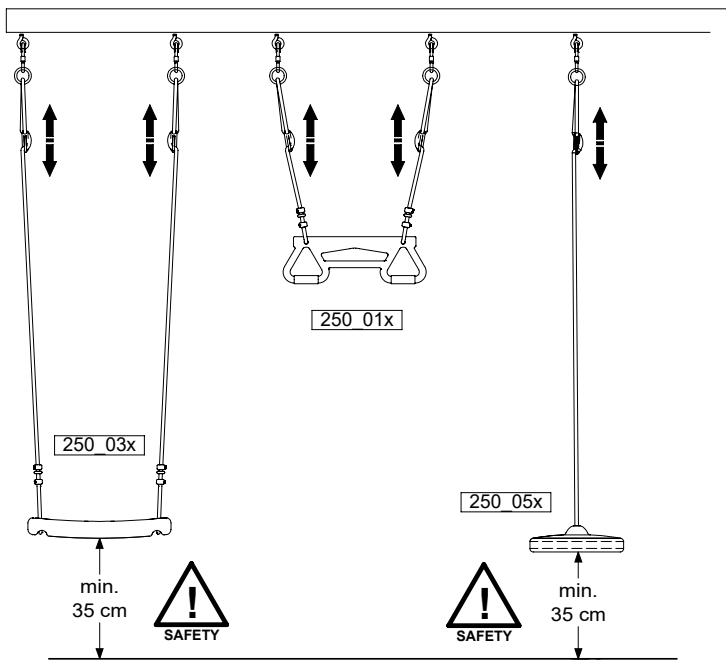


Swing set 3.0 - P23 uni - 16/07/2024 - v1.3







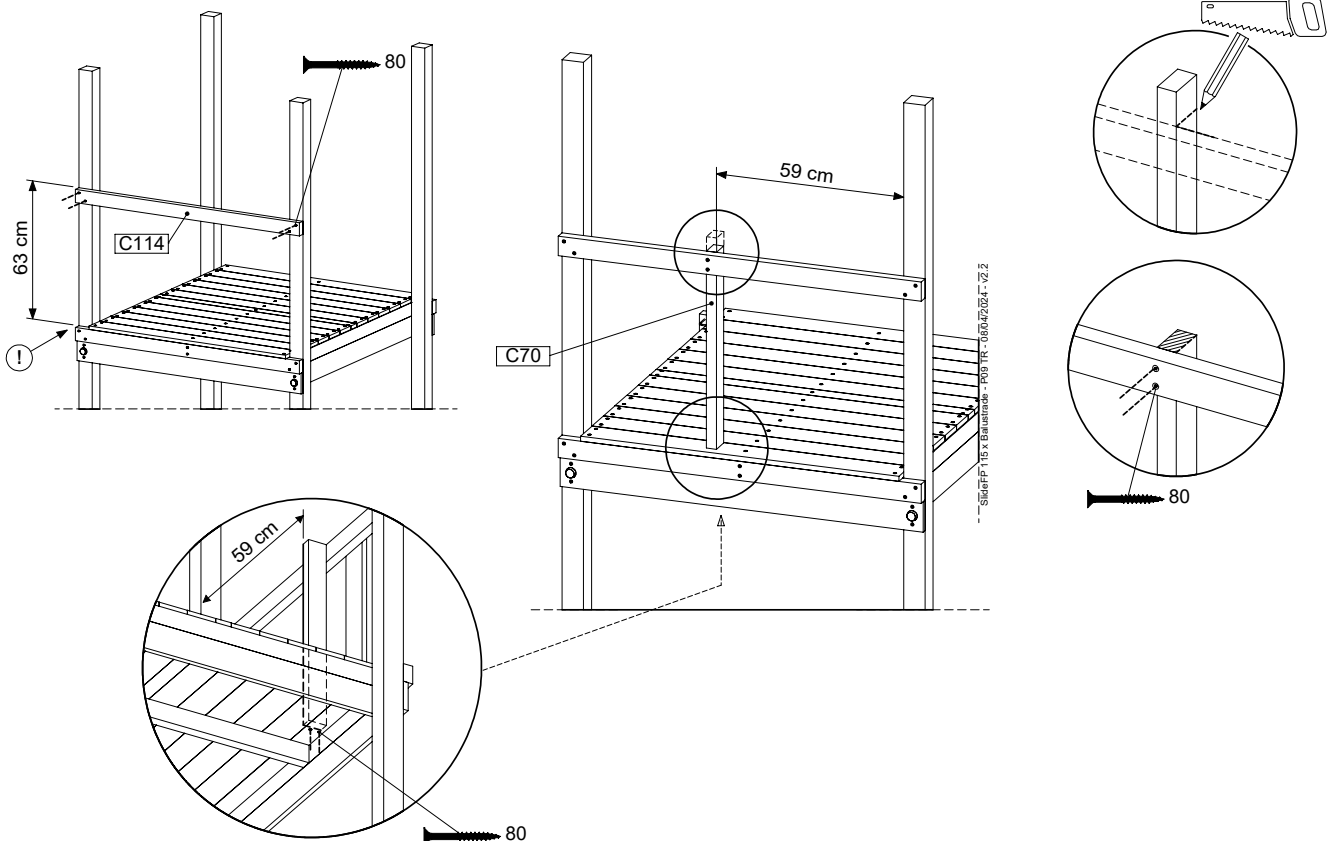
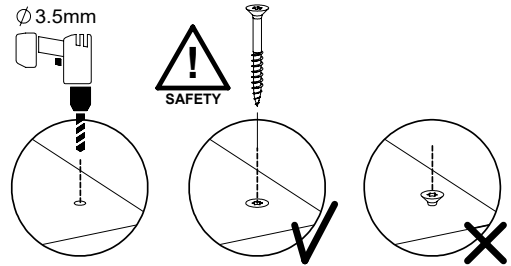
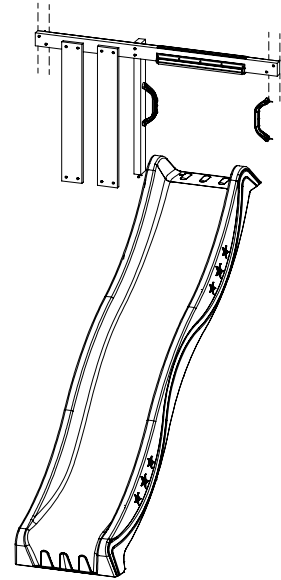


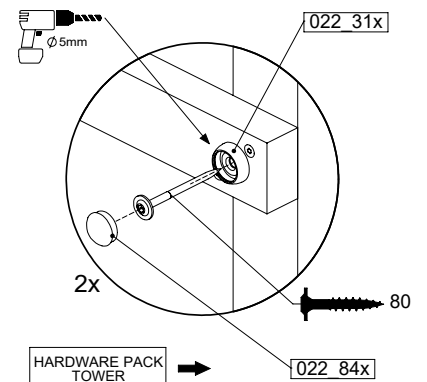
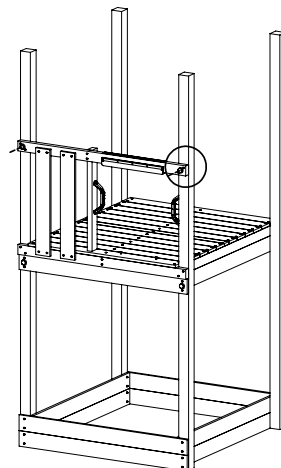
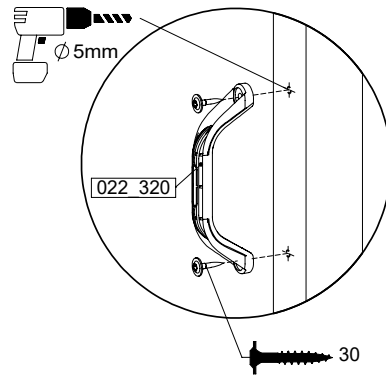
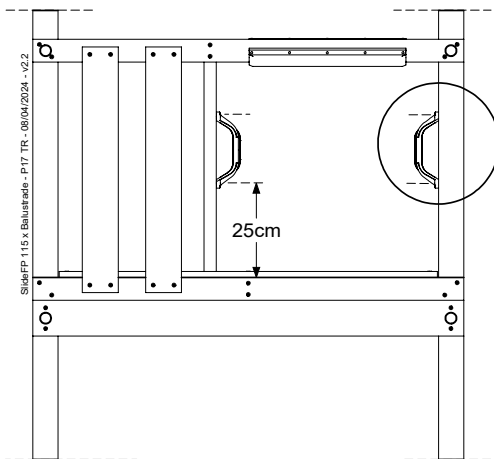
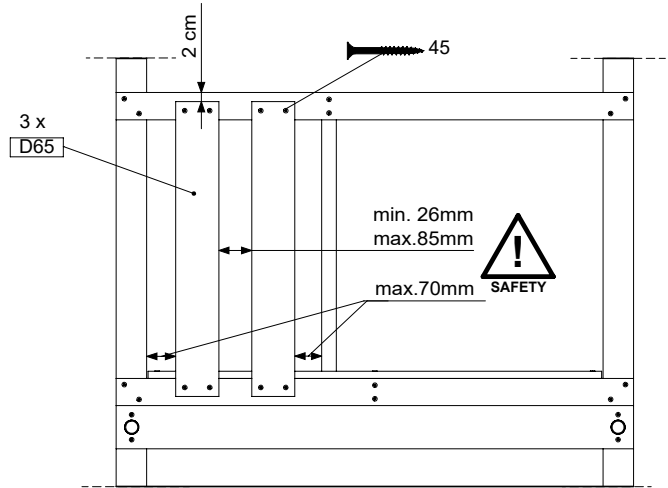
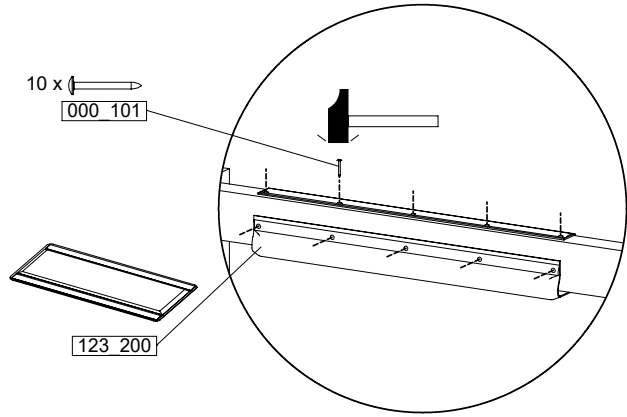
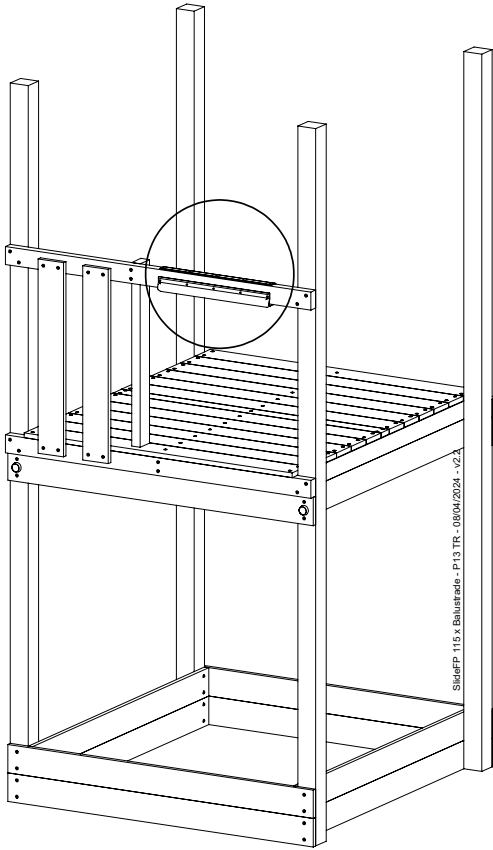
10 SL09a: Slide 115 125 T Right

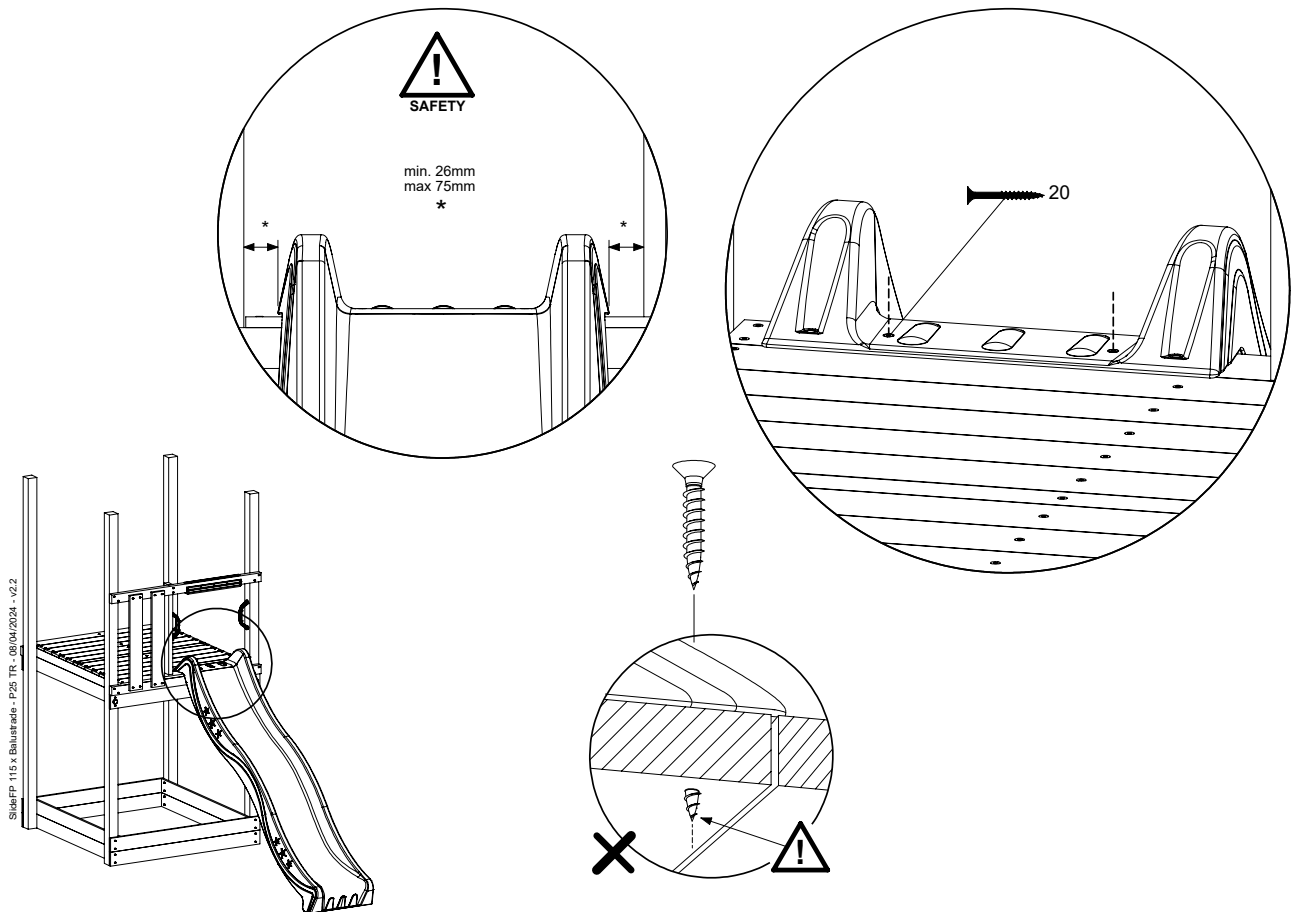
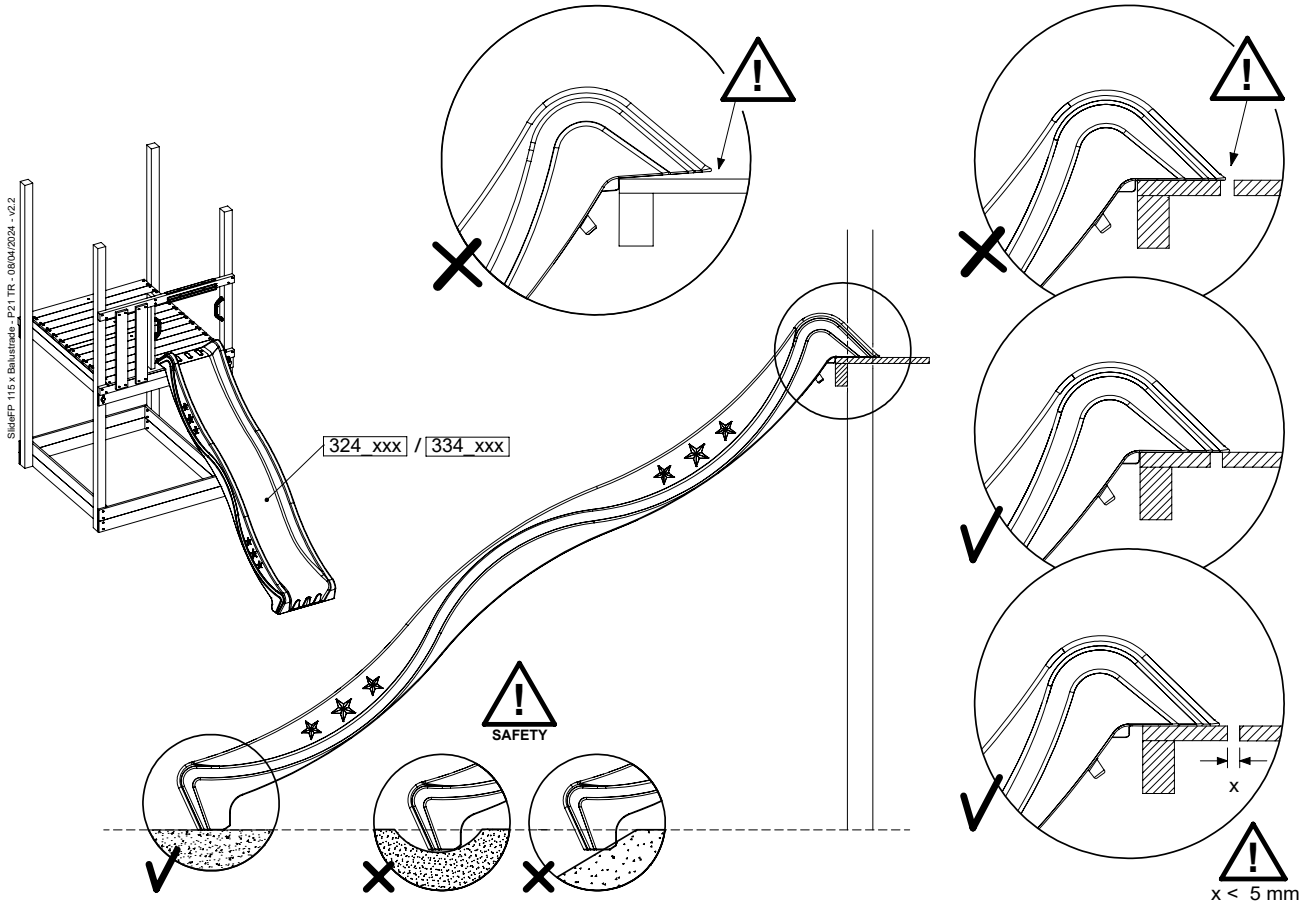
Assembly Packs: 194_107 + 194_101

	PartNo	PartName	QTY.
Hardware + Parts	000_101	Nail Pan Head	10
	002_220	Gap Point Screw T25 - 5x45	8
	002_223	Gap Point Screw T25 - 5x80	8
	002_308	Gap Point Screw T25 - 5x20	2
	120_102	Handgrip set (complete 2x)	1
	123_200	Bumperpad	1
	324_xxx 334_xxx	Wavy Star Slide XL 2200 mm / Wavy Star Slide XXL 2650 mm	1
Timber	C114	Beam 1140 mm	1
	C70	Beam 700 mm	1
	D65	Board 650 mm	2

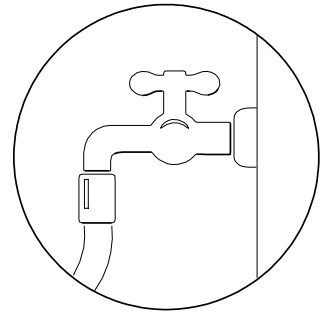
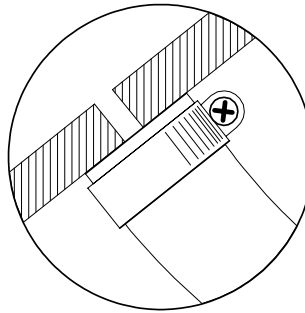
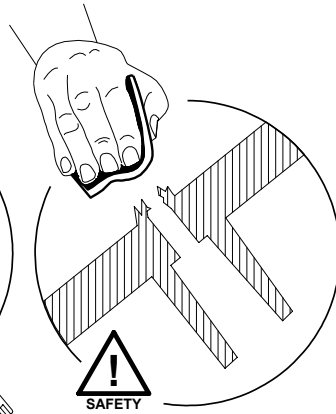
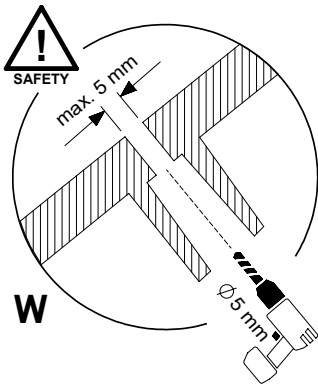
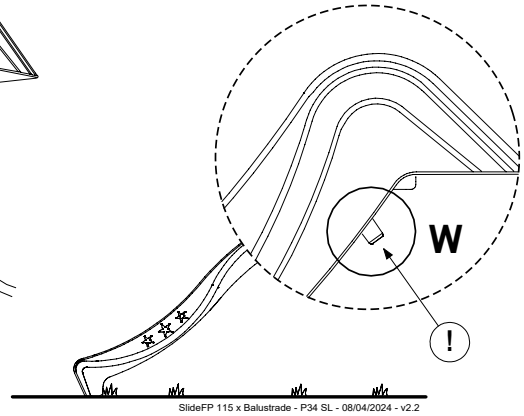
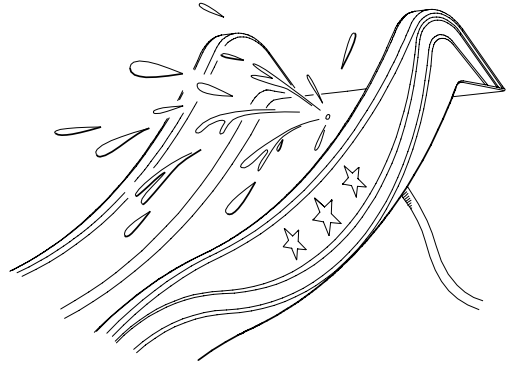
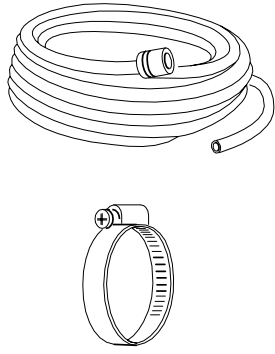
SlideFP 115 x Balertrab - P09 TR - 08/04/2024 - v2.2





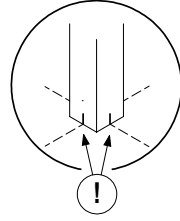
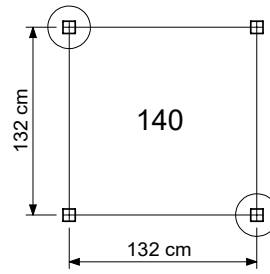
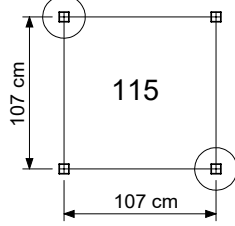
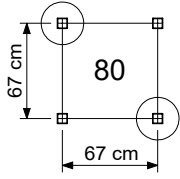
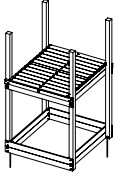


10.3

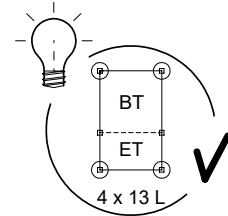
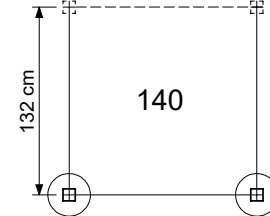
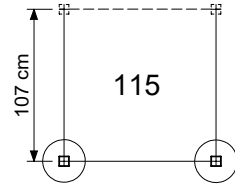
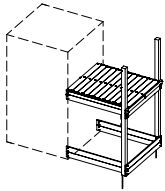
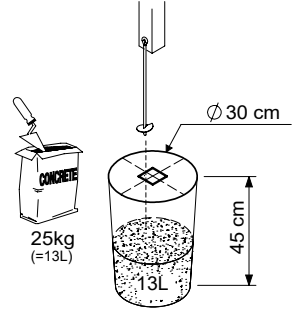
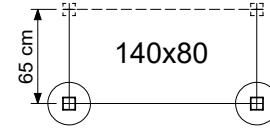
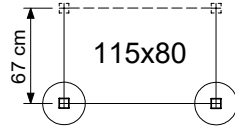
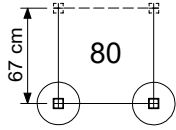
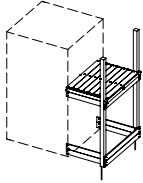


11 GA: Ground Anchors

BASE TOWERS

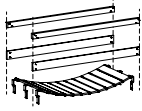


EXTENSION TOWERS

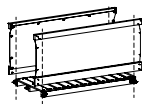


Ground Anchors Uni. - P03 - 08/04/2025 - V2.2

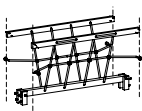
BRIDGES



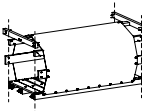
CLATTER



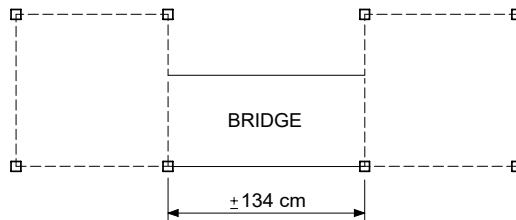
BOARDWALK



NET



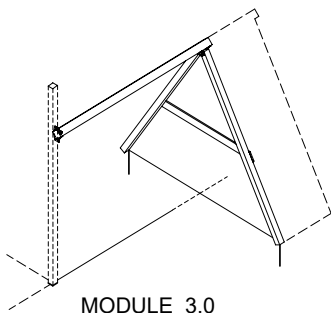
TUNNEL



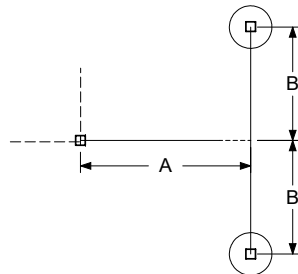
BRIDGE

Ground Anchors Uni. - P04 - 08/04/2025 - V2.2

SWING / CLIMB



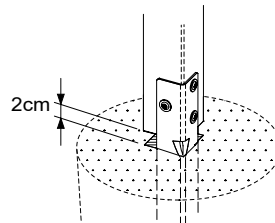
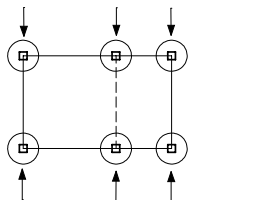
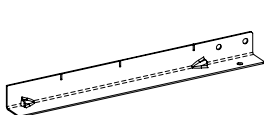
MODULE 3.0



MODULE 3.0	Module type	A	B
	1-Swing 200 - 3.0	155	110
1-Swing 220 (Extra) - 3.0			
1-Climb 200 - 3.0	148	110	
2-Climb 200 - 3.0	222		
2-Swing 200 - 3.0	215	115	
1-Climb 220 (Extra) - 3.0	170		
2-Climb 220 (Extra) - 3.0	242		
2-Swing 220 (Extra) - 3.0	235		

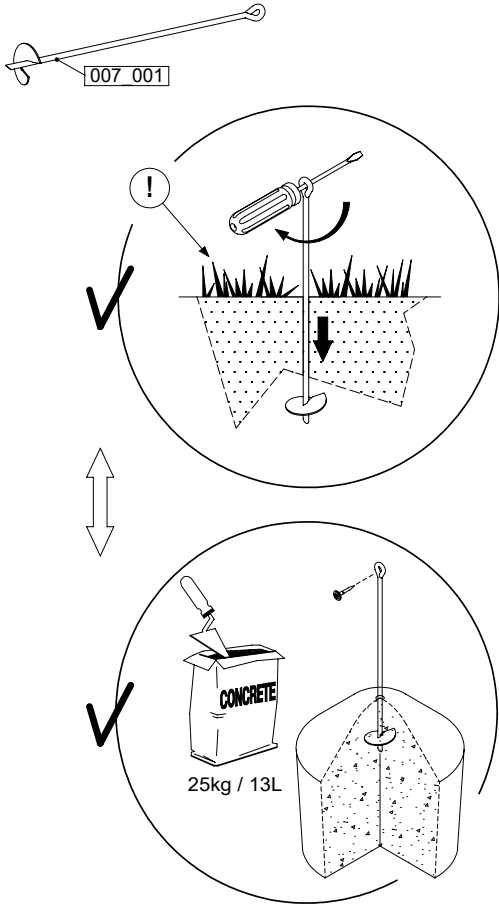
cm

Post ground anchor
- optional -

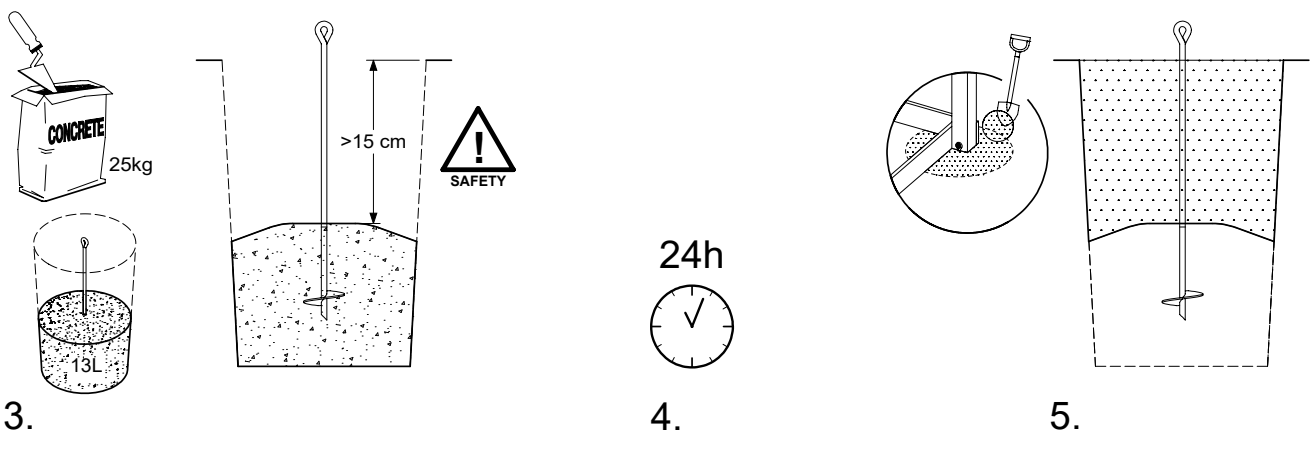
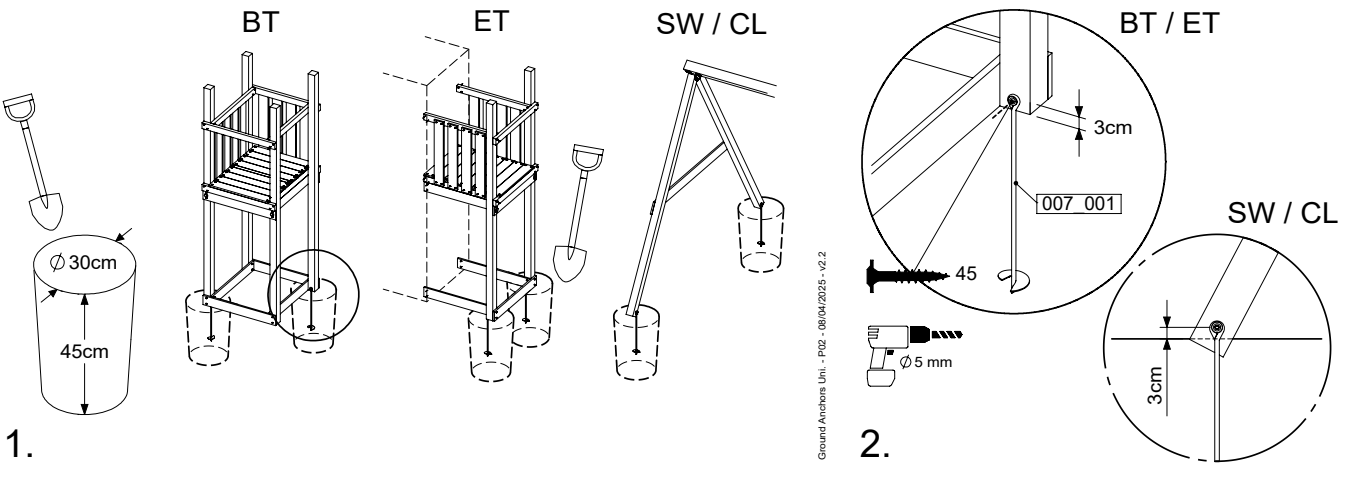
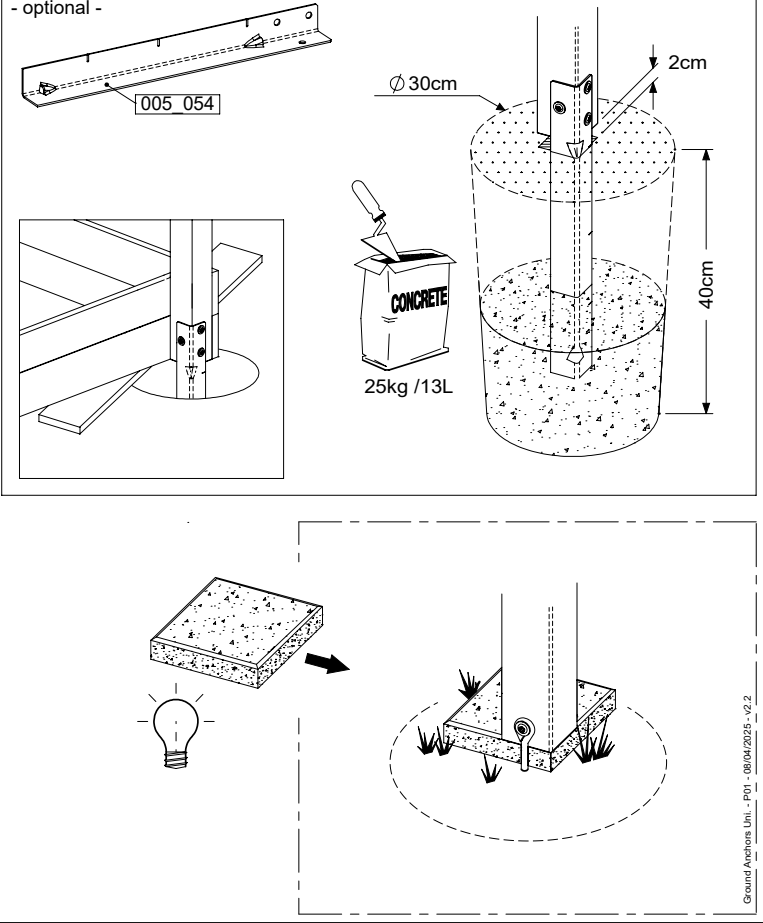


11.1

Screw-in ground anchor



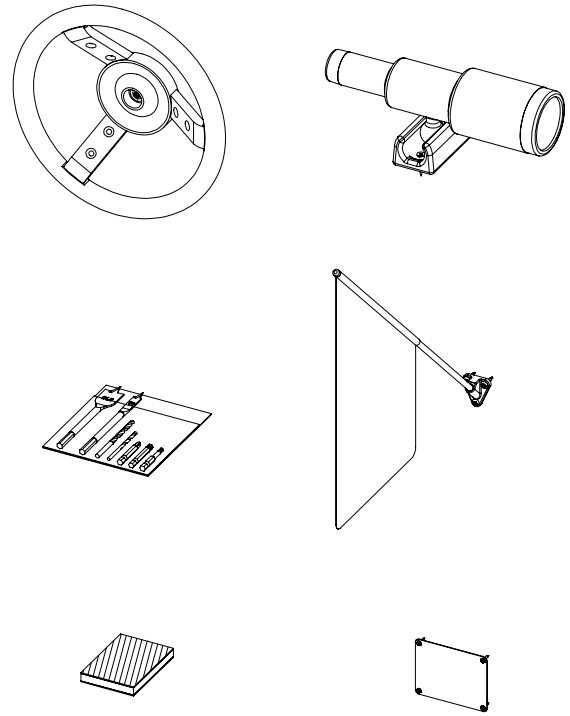
Post ground anchor - optional -



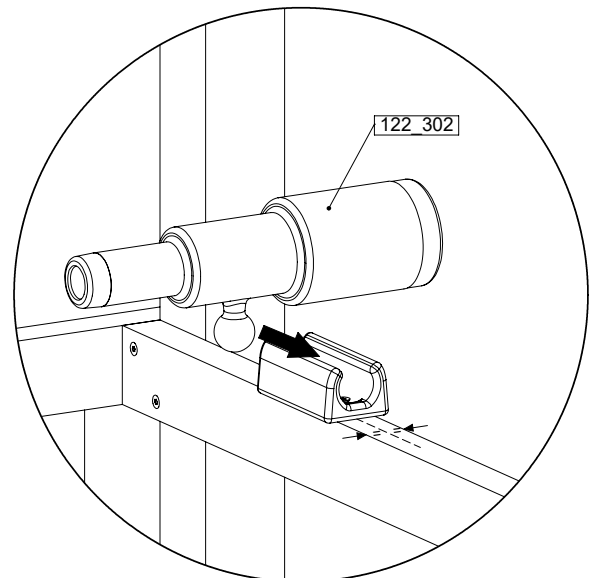
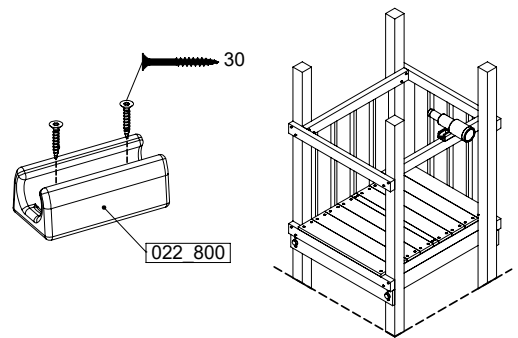
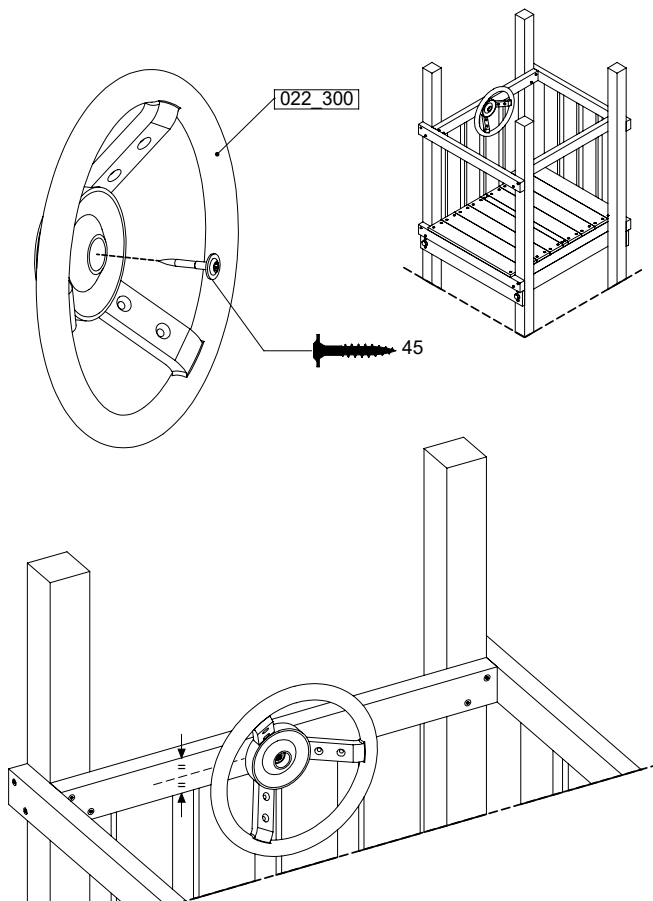
12 AC01a: Accessories

(194_119)

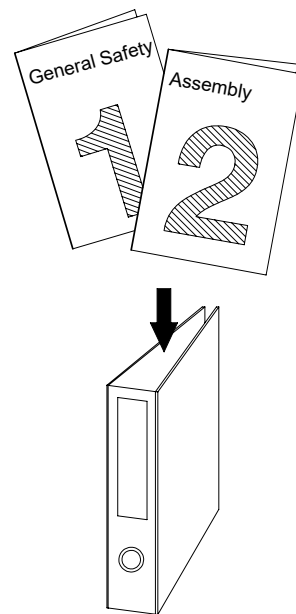
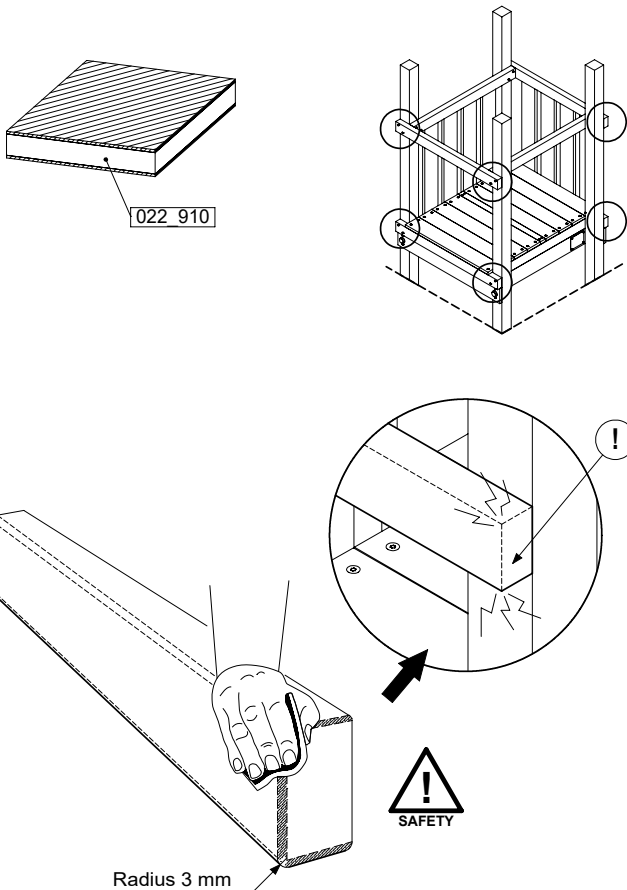
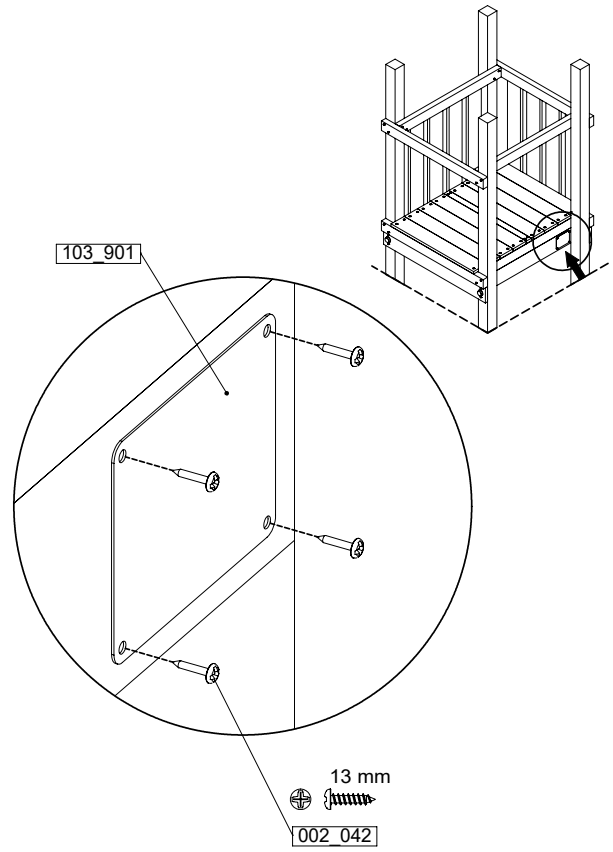
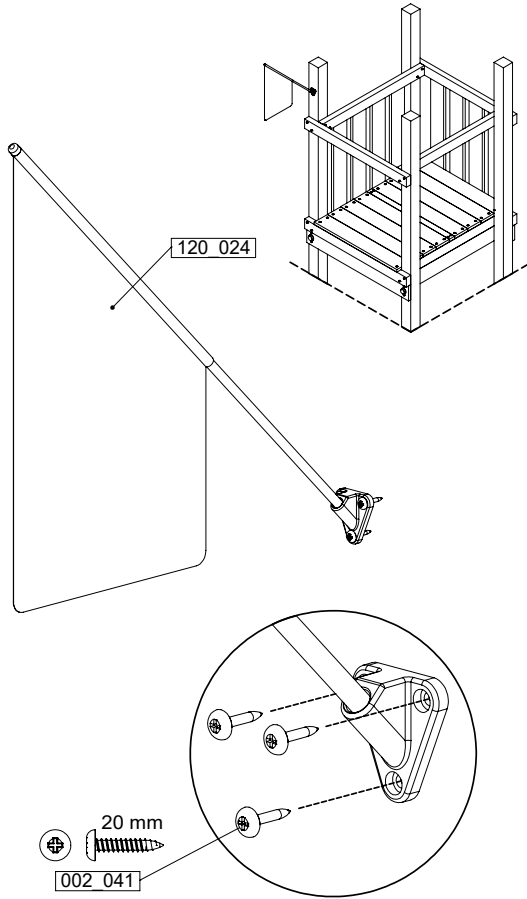
	PartNo	PartName	QTY.
Hardware Pack 100_617	001_406	Stealth Screw 8x45	1
	002_041	Dome head screw 4.5 x 20 mm	3
	002_042	Dome head screw 3.5 x 13mm	4
	002_219	Gap Point Screw T25 - 5x30	2
Other	022_300	Steering Wheel	1
	022_800	Rail P/T 105	1
	022_910	Sandpad	1
	103_901	Logo ID Plate	1
	104_107	Tool Set Climbing Units	1
	120_024	Tower Flag	1
	122_302	Telescope	1



Accessory set - P02 - 24/01/2024 - v5



Accessory set - P03 - 24/01/2024 - v5

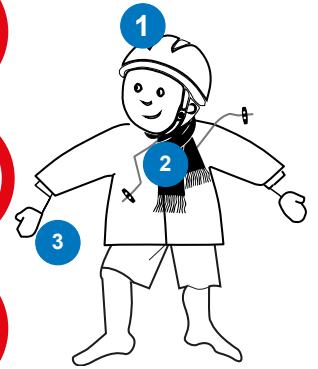
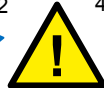
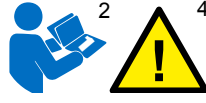
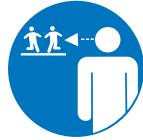




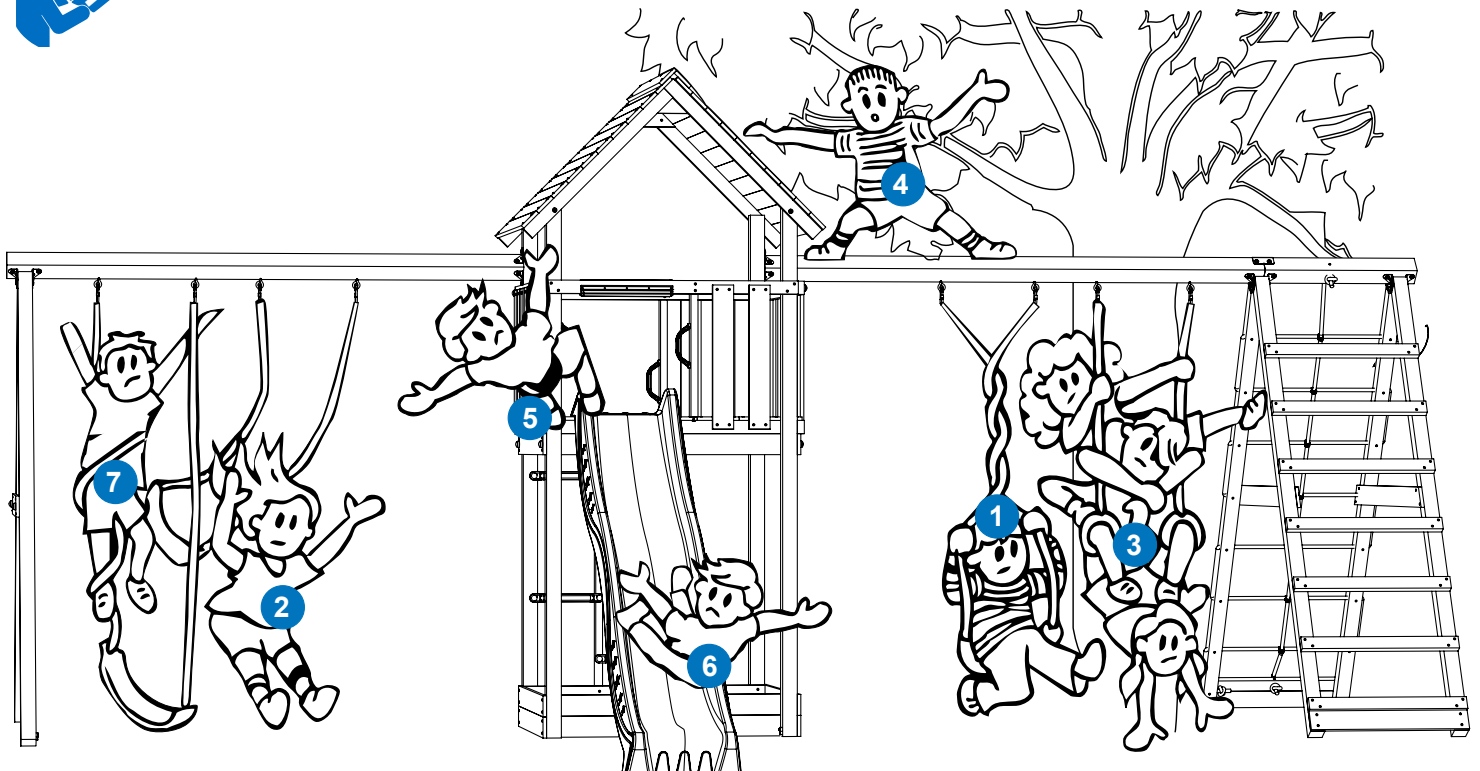
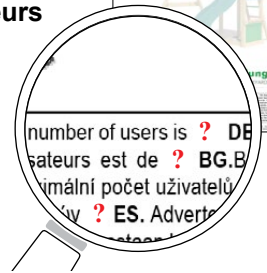
Safe play instructions and safety notices

Sichere Spielanweisungen und Sicherheitswarnungen

Consignes de jeu sécurisé et avis de sécurité



Maximum number of users
 Maximale Benutzerzahl
 Le nombre maximal d'utilisateurs





EU Declaration of Conformity
UK Conformity Assessed
EU-Konformitätserklärung
Déclaration EU de conformité



(in accordance with 768/2008/EC)

Product range: Activity toys for domestic use
Produktfamilie: Aktivitätsspielzeug für den häuslichen Gebrauch
Gamme de produits: Jouets d'activité à usage familial

DoC reference: 20241111_0500

Climbing frames

a. Assemblies for complete climbing frames - Bausätze für komplette Klettergerüste - Assemblages pour structures d'escalade complètes

Playtowers	801_005, 801_009, 801_010, 801_013, 801_025, 801_040, 801_060, 801_070, 801_090, 801_095, 801_100, 801_103, 801_105, 801_110, 801_120, 801_200, 802_202, 802_204, 802_206, 802_208, 803_202, 803_204, 803_206, 803_208, 803_210, 809_802, 809_804
Swings	801_300, 801_601, 801_602
Modules	850_176, 850_177, 850_231, 850_232, 857_101, 857_102, 857_105, 857_106, 857_151, 857_152, 857_157, 857_158, 850_240

b. Assemblies for climbing frames elements - Bausätze für Klettergerüst-Elemente - Assemblages pour éléments de structures d'escalade

Base towers (BT)	BT01a, BT02a, BT03a, BT11a, BT14a, BT15a, BT20a
Extension towers (ET)	ET01a, ET02a, ET05a, ET06a, ET07a, ET08a, ET09a, ET10a, ET11a, ET12a, ET13a, ET14a, ET15a, ET16a, ET17a, ET18a, ET19a, ET20a, ET22a, ET23a, ET27a, ET28a, ET35a, ET29a, ET39a, ET40a
Veranda (VD)	VD01a, VD02a, VD03a, VD04a, VD05a
Bridges (CB, NB, BB, TB)	CB01a, CB01b, NB01a, BB01a, BB02a, TB01a, TB02a, TB03a, TB04a
Roofs (RF)	RF01a, RF21a, RF02a, RF03a, RF04a, RF05a, RF06a, RF20a, RF02b, RF03b, RF28a, RF07a, RF08a, RF22a, RF09a, RF23a, RF11a, RF12a, RF16a, RF07b, RF12b, RF08b, RF22b, RF09b, RF23b, RF11b, RF29a, RF14a, RF24a, RF15a, RF25a, RF18a, RF17a, RF18b, RF14b, RF24b, RF15b, RF25b
Balustrade (BL, BF)	BL01a, BL02a, BL11a, BL12a, BL21a, BF25a, BF26a, BF27a, BF28a, BL03a, BL04a, BL13a, BL14a, BF01a, BF02a, BF03a, BF04a, BF05a, BF06a, BF07a, BF08a, BF01b, BF02b, BF03b, BF04b, BF05b, BF06b, BF07b, BF08b, BL05a, BL06a, BL07a, BL08a, BL09a, BL10a, BL15a, BL16a, BF21a, BF22a, BF23a, BF24a, BF21b, BF22b, BF23b, BF24b
Playhouse (PH)	PH03a, PH04a, PH05a, PH06a, PH10a, PH11a, PH40a, PH41a, PH12a, PH13a, PH14a, PH15a, PH42a, PH43a, PH44a, PH45a, PH16a, PH17a, PH18a, PH19a, PH30a, PH31a, PH16b, PH17b, PH18b, PH19b, PH46a, PH47a, PH48a, PH49a, PH16c, PH17c, PH18c, PH19c, PH46b, PH47b, PH48b, PH49b, PH20a, PH21a, PH22a, PH23a, PH24a, PH25a, PH26a, PH27a, PH32a, PH33a, PH52a, PH53a, PH54a, PH55a, PH56a, PH57a, PH50a, PH51a, PH26b, PH27b, PH26c, PH27c, PH56b, PH57b
Ladder (LA)	LA05a, LA06a, LA01a, LA02a, LA09a, LA03a, LA04a, LA01b, LA02b, LA09b, LA03b, LA04b, LA11a, LA12a, LA13a, LA14a, LA15a, LA16a, LA17a, LA18a, LA31a, LA32a, LA33a, LA34a, LA35a, LA36a, LA37a, LA38a, LA11b, LA12b, LA13b, LA14b, LA15b, LA16b, LA17b, LA18b, LA19a, LA20a, LA21a, LA22a, LA23a, LA24a, LA25a, LA26a, LA43a, LA44a, LA45a, LA46a, LA23b, LA24b, LA25b, LA26b
Two Step Ladder (TS)	TS01a, TS01b, TS02a, TS02b, TS03b, TS22a, TS05a, TS06a, TS07a, TS08a, TS09a, TS10a, TS11a, TS12a, TS15a, TS16a, TS17a, TS18a, TS19a, TS20a, TS21a, TS22a
Rope Ladder (RL)	RL01a, RL02a, RL05a, RL06a, RL07a, RL08a, RL09a, RL10a, RL11a, RL12a, RL15a, RL16a, RL19a, RL20a
Rock wall (RW)	RW01a, RW02a, RW01b, RW02b, RW03b, RW31a, RW32a, RW33a, RW05a, RW06a, RW07a, RW08a, RW09a, RW10a, RW11a, RW12a, RW40a, RW41a, RW15a, RW16a, RW17a, RW18a, RW19a, RW20a, RW46a, RW47a
Ramp (RA)	RA01b, RA02b, RA03a, RA04a, RA21a, RA05a, RA06a, RA07a, RA08a, RA05b, RA06b, RA07b, RA08b, RA11a, RA12a, RA09b, RA10b, RA11b, RA12b
Net (NA, NS)	NA01a, NA02a, NS01a, NS02a, NS03a, NS21a, NA04a, NA05a, NS04a, NS05a, NS06a, NS07a, NA08a, NA09a, NS08a, NS09a
Boat (BO)	BO01a
Market (MT) & Target Canvas (TC)	MT01a, MT02a, TC01a, TC02a, MT01b, MT02b, TC01b, TC02b, MT05a, MT06a, MT11a, MT12a
Picnic (PC)	PC01a, PC01b, PC05a, PC06a, PC09a, PC10a
Gymnastics bar (GY)	GY01a
Fireman's pole (FP)	FP01a, FP02a, FP04a, FP05a, FP06a, FP07a, FP23a, FP24a, FP25a, FP26a, FP27a, FP28a
Slides (SL)	SL01a, SL02a, SL03a, SL06a, SL07a, SL08a, SL09a, SL10a, SL11a, SL12a, SL13a, SL26a, SL27a, SL28a, SL29a
Swing (SM)	SW17a, SW21a, SW18a, SW22a, SW19a, SW23a, SW01a, SW05a, SW02a, SW06a, SW03a, SW07a, SW09a, SW13a, SW10a, SW14a, SW11a, SW15a
Climb (CL)	CL17a, CL21a, CL18a, CL22a, CL19a, CL23a, CL01a, CL05a, CL02a, CL06a, CL03a, CL07a, CL09a, CL13a, CL10a, CL14a, CL11a, CL15a
Universal Beam (UB)	UB01a, UB04a, UB02a, UB05a, UB03a, UB06a, UB07a, UB08a
Accessories (AC)	AC40a, AC30a, AC31a, AC32a, AC33a, AC01a, AC05a, AC07a, AC03a, AC04a, AC06a, AC23a, AC22a, AC24a, AC21a, AC25a, AC02a, AC09a, AC08a, AC10a

Construction packages

a. Assembly kits for complete climbing frames - Bausätze für komplette Klettergerüste - Kits de construction pour structures d'escalade complètes

Playtowers	401_015, 401_080, 401_125, 402_201, 402_202, 402_204, 402_206, 402_208, 403_202, 403_204, 403_206, 403_208, 403_210, 409_802, 409_804
Swings	401_300, 401_600
Modules	457_005, 457_102, 457_103, 457_106, 457_107, 457_205

b. Assembly packs for climbing frames elements - Baupakete für Klettergerüst-Elemente - Packs de construction pour éléments de structures d'escalade

Sub assemblies	194_002, 194_003, 194_004, 194_006, 194_007, 194_008, 194_009, 194_010, 194_011, 194_100, 194_101, 194_102, 194_103, 194_104, 194_105, 194_107, 194_108, 194_109, 194_110, 194_111, 194_112, 194_113, 194_114, 194_115, 194_116, 194_117, 194_118, 194_119, 194_300, 194_308, 194_312, 194_500, 194_501, 194_508, 194_510, 194_802, 194_804, 194_809, 194_810, 194_811, 194_812
----------------	---

Accessories and components - Zubehör und Komponenten - Accessoires et composants

Slides XL	324_100, 324_200, 324_300, 324_400, 324_500, 324_600
Slides XXL	334_100, 334_200, 334_300, 334_400, 334_500, 334_600
Fireman's pole	201_275
Climbing	201_060, 201_273
Imagination	201_280, 201_285, 201_290, 201_295, 202_473, 450_310, 450_320, 450_330
Swinging	250_001, 250_013, 250_025, 250_034, 250_053
Functional	123_220, 123_222, 123_230, 201_115, 201_220, 201_250, 201_260, 201_270, 202_620, 202_621, 202_622, 202_623, 202_624, 202_625, 202_626, 202_627, 202_628, 202_629, 202_824, 250_065, 250_070, 250_075

Applicable EU and UK directives, regulations and standards

General directives

- EU Product Safety Regulation (GPSR 2023/988/EC)
- UK General Product Safety Regulations (GPSRs SI 2005/1803)
- EU Reach Directive 1907/2006
- AfPS GS 2019:01 PAK

Toy directives

- EU Toys Safety Directive (TSD 2009/48/EC)
- UK Toys Safety Regulations 2011 (TSR SI 2011/1881)

Harmonised European and UK toy standard

- Safety of toys (EN 71)
 - Part 1: Mechanical and physical properties (prEN 71-1:2024)
 - Part 2: Flammability (EN 71-2:2020/prA1:2023)
 - Part 3: Migration of certain elements (EN 71-3:2019+A1:2021)
 - Part 8: Activity toys for domestic use (prEN 71-8:2024)

Additional audits

Test reports / Certificate:

TüV Rheinland Product Safety GmbH
Am Grauen Stein, 51105 Köln, Germany
Zertifikat: R 60010766, R 60024578
Prüfbericht: 21115718_003/004/005, 21140630_001/002

Prüfbericht / Zertifikat:

Rapport d'essai / certificate:

Dekra Automobil GmbH
Handwerkstraße 15, 70565 Stuttgart, Germany
Prüfbericht: 340331500_55245585/13-2

Laboratoire National de métrologie et d'essais (LNE)
29 Avenue Roger Hennequin, 78197 Trappes Cedex, France
Revue documentaire: K080196

Design

Product image:

Produktbild:

Image du produit:

Design code:

h K 7 b w d

Production date:

02-05-2025



Declaration

This declaration of conformity is issued solely under the responsibility of the manufacturer, who asserts that the aforementioned products comply with the applicable directives and harmonized standards, provided that installation, assembly, and maintenance are performed in accordance with the instructions supplied.

Diese Konformitätserklärung wird ausschließlich unter der Verantwortung des Herstellers ausgestellt, der erklärt, dass die genannten Produkte den geltenden Richtlinien und harmonisierten Standards entsprechen, vorausgesetzt, dass Installation, Montage und Wartung gemäß den bereitgestellten Anweisungen durchgeführt werden.

Cette déclaration de conformité est émise uniquement sous la responsabilité du fabricant, qui affirme que les produits mentionnés ci-dessus sont conformes aux directives applicables et aux normes harmonisées, à condition que l'installation, le montage et l'entretien soient réalisés conformément aux instructions fournies.


Manufacturer details

Jungle Gym B.V.
P.O. Box 75083
1070 AB Amsterdam
Netherlands
www.junglegym.com
info@junglegym.com
+31 85 44 44 100

Jungle Gym
BACKYARD PLAYGROUNDS
since 1988

Amsterdam, December 1st, 2024

On behalf of the manufacturer
Jungle Gym B.V.


Paul Schmit
CEO