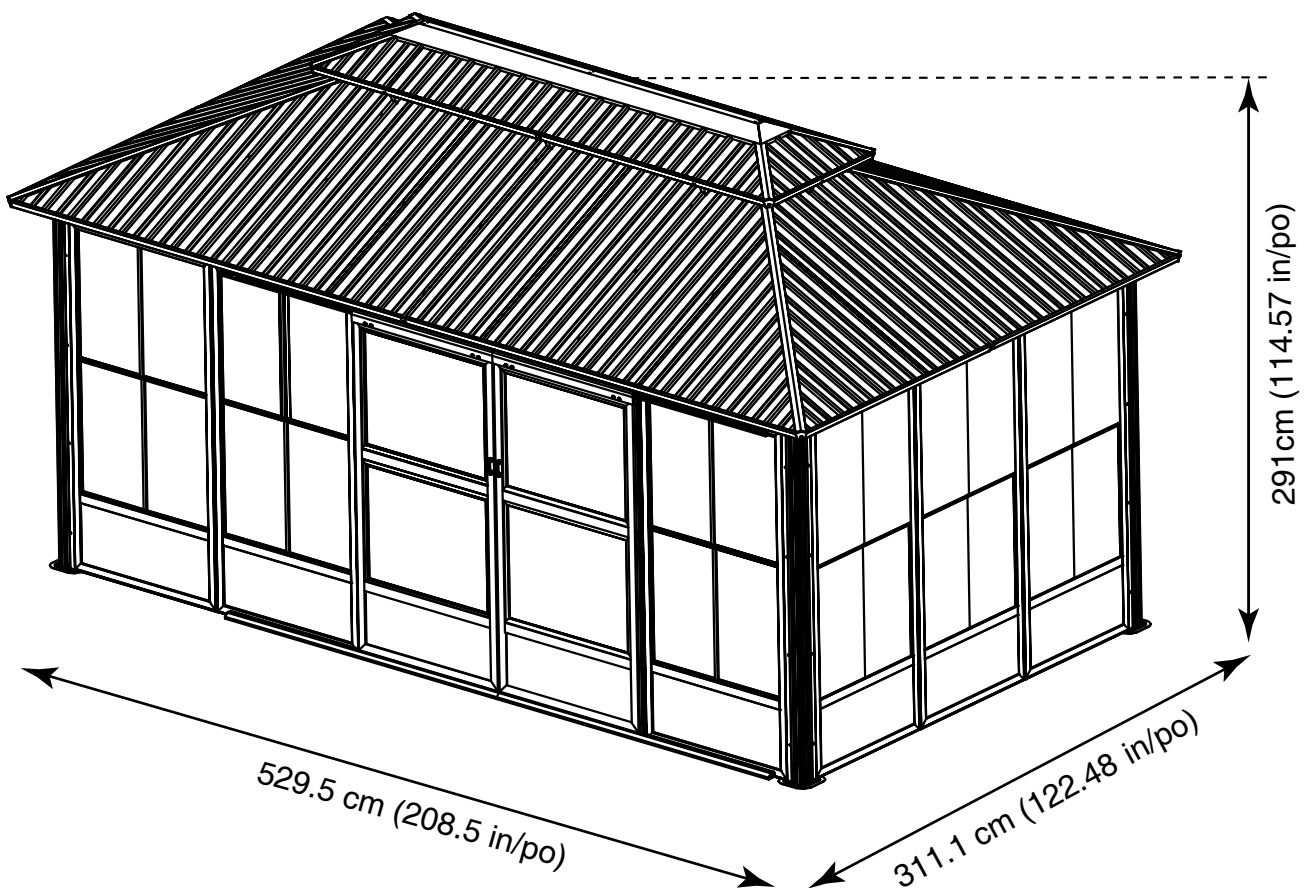
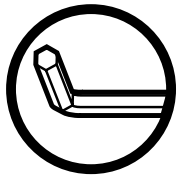


SOJAG

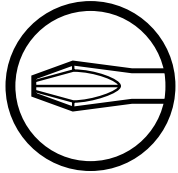
QUESTIONS? +49 (0) 6571 / 95117-0

Assembly Manual / Guide d'assemblage / Manual de ensamblaje / 조립설명서 / Montageanleitung





Use the hex keys in the box. / Utilisez les clés hexagonales fournies dans la boîte. / Utilice las llaves hexagonales en la caja. / 상자에 육각 키를 사용 하십시오. / Verwenden Sie die Sechskantschlüssel in der Box.



Please use a Phillips screwdriver. / Utilisez un tournevis de type Phillips / Por favor, use un destornillador Phillips. / 십자 드라이버를 사용 하십시오. / Bitte verwenden Sie einen Kreuzschraubenzieher.



You may need to use a drill for this step. / Vous pouvez avoir besoin d'utiliser une perceuse pour cette étape. / Puede que tenga que utilizar un taladro para este paso. / 이 단계에선 드릴을 사용해야 할 수도 있습니다. / Für diesen Schritt können Sie einen Bohrer verwenden.



Wearing protective gloves is recommended. / Le port de gants de protection est recommandé / El uso de guantes de protección se recomienda. / 보호 장갑을 착용 하는 것이 좋습니다. / Das Tragen von Schutzhandschuhen wird empfohlen.



Two or more people are required at this stage. / Deux personnes ou plus sont nécessaires à cette étape. / Dos o más personas se requieren en esta etapa. / 이 단계에서는 두 명 이상 이 필요합니다. / Für diesen Bauschritt sind 2 oder mehr Personen erforderlich.



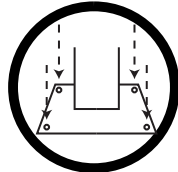
Do not tighten screws all the way for now. / Ne pas visser fermement pour l'instant. / No atornille con firmeza por ahora. / 아직 나사를 단단히 조이지 마십시오. / Bitte die Schrauben zum jetzigen Zeitpunkt noch nicht fest anziehen.



Sold separately. / Vendus séparément. / vendido en las opciones. / 옵션 판매 / Optional erhältlich

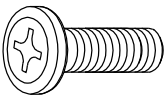


Optional step / Étape optionnelle / Paso opcional / 선택적 단계 / Optionaler Schritt

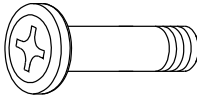


The gazebo must be anchored (hardware not included) / Le gazébo doit être ancré (quincaillerie non incluse) / El gazebo debe estar anclado (herramientas no incluidas) / gaze보를 반드시 바닥에 고정 시키세요. (고정 나사 부품 미포함) / Muss am Boden verankert werden, Befestigungsmaterial nicht im Lieferumfang enthalten

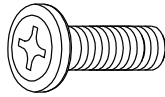
U X 1(+1)




U1 X 16(+1)



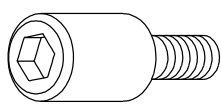
V X 200(+10)



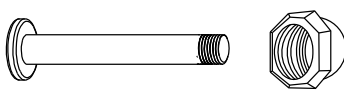
Wa X 2(+1)



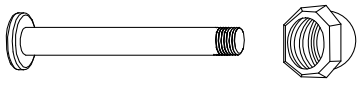
X X 32(+3)



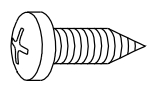
X1 X 8(+1)



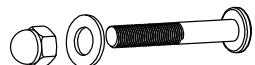
X2 X 12(+2)



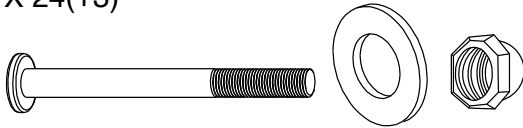
Y X 120(+10)



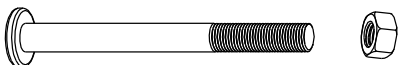
B10 X 16(+2)



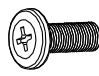
Z1 X 24(+3)



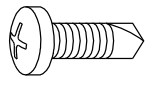
Z2 X 24(+3)



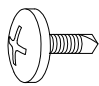
Z3 X 16(+2)




V2 X 32(+4)



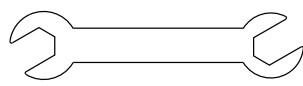
Z5 X 24(+3)




G3 X 1



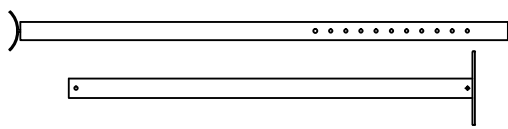
G4 X 1

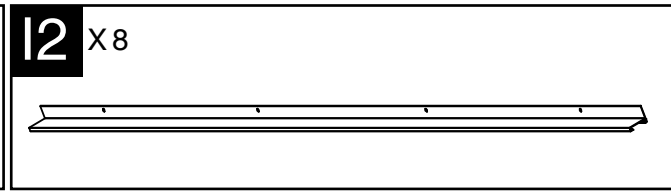
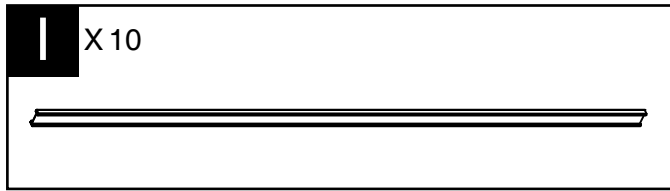
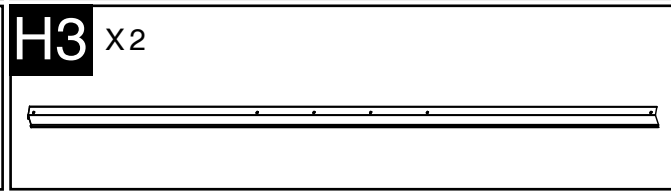
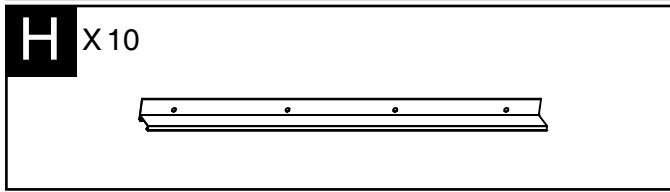
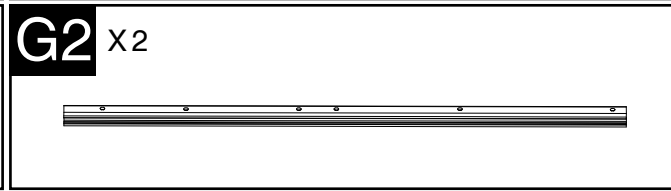
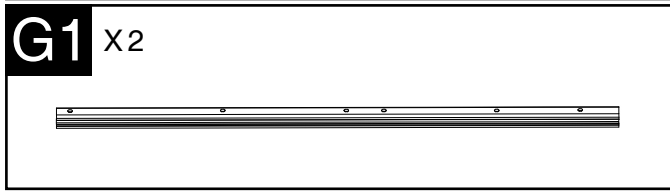
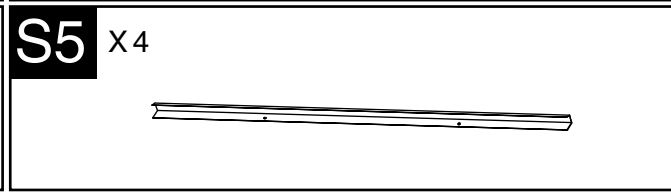
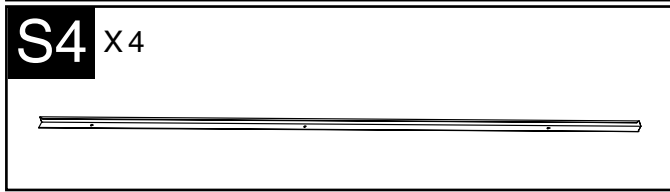
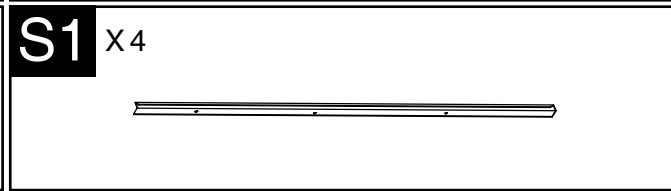
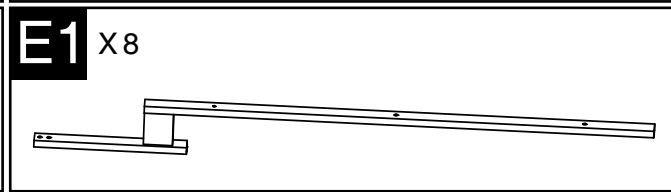
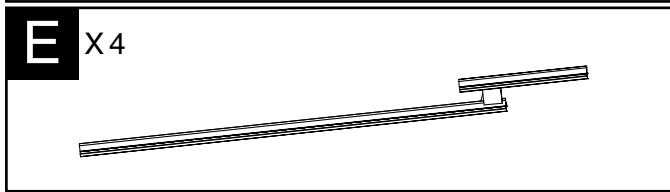
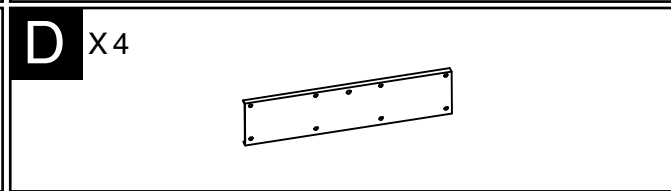
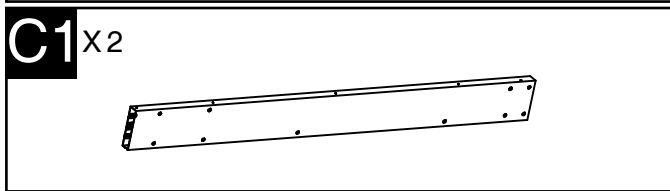
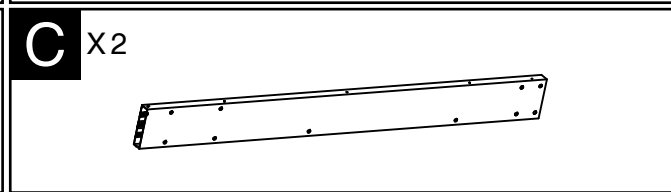
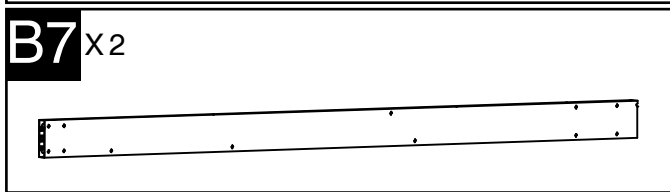
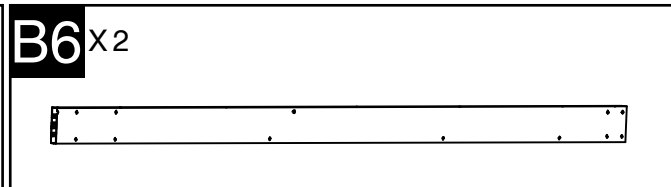
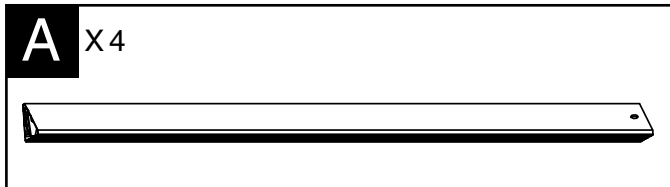


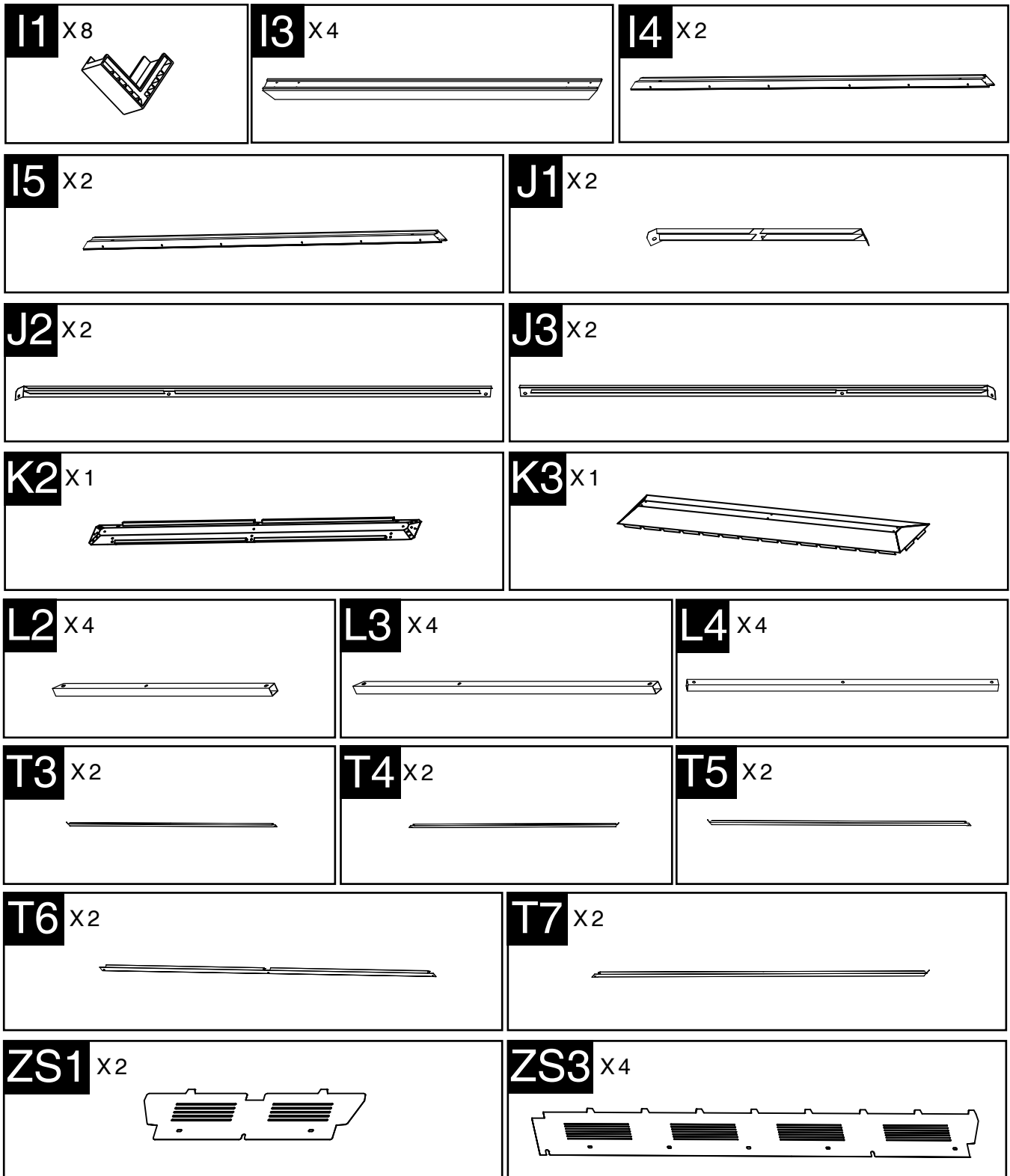
WS X 2

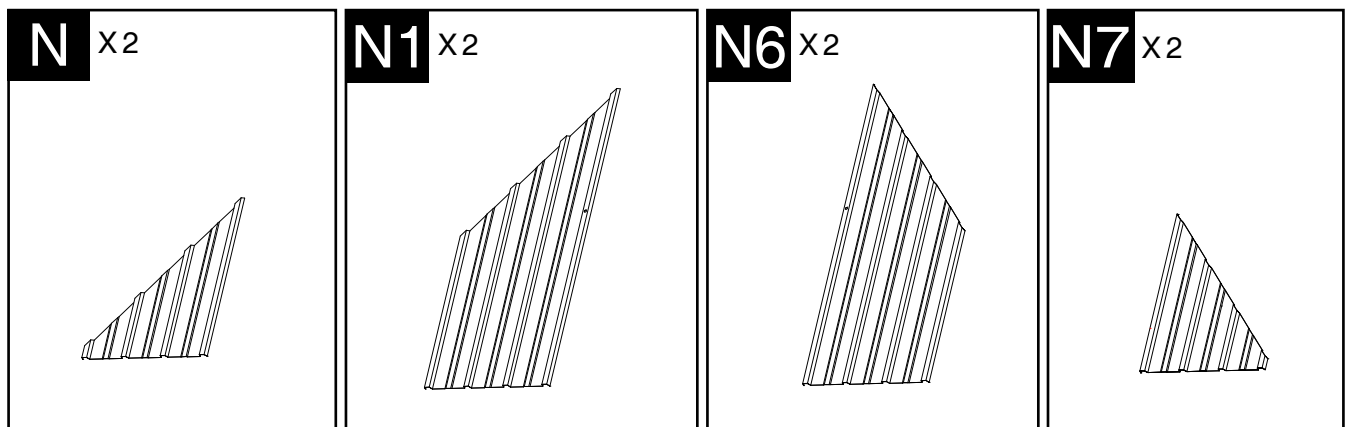
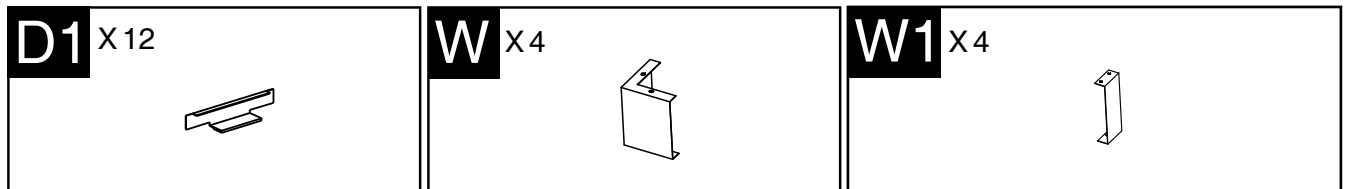
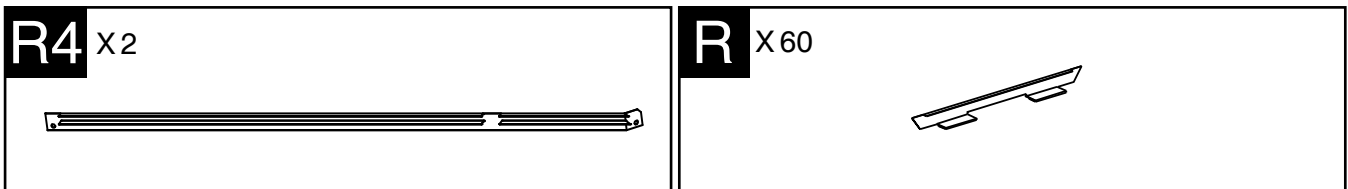
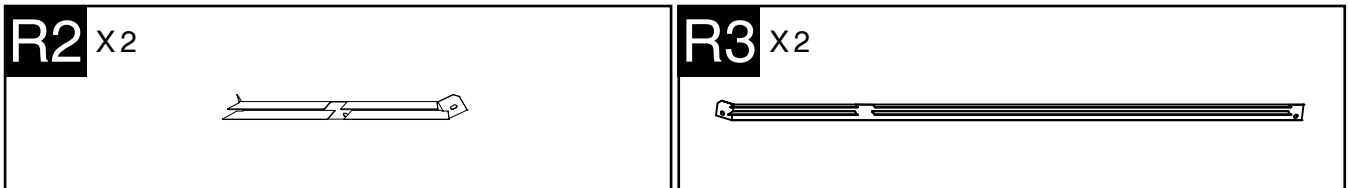
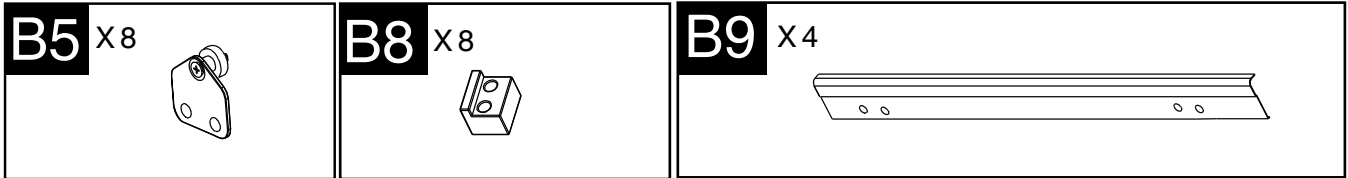


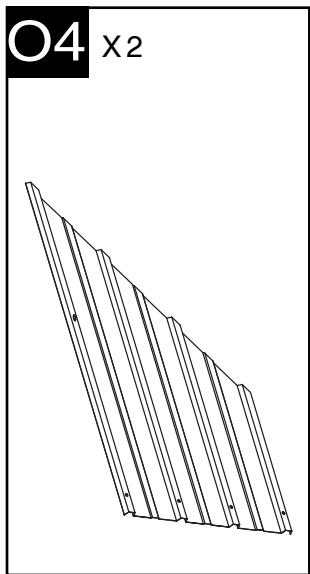
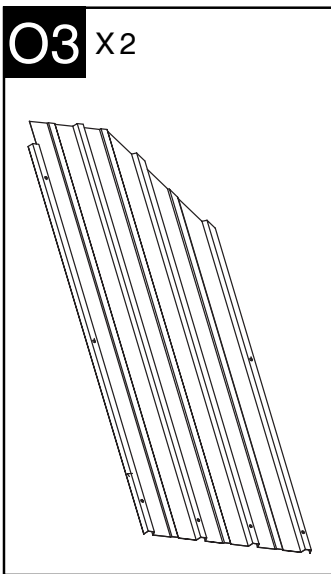
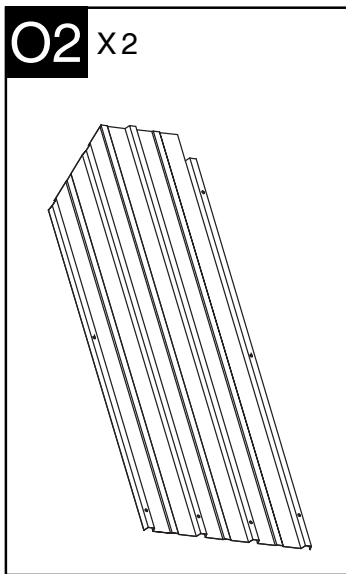
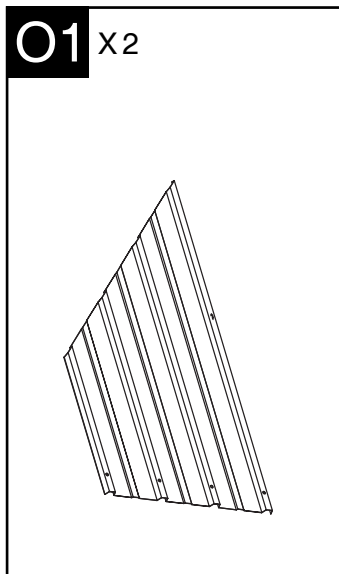
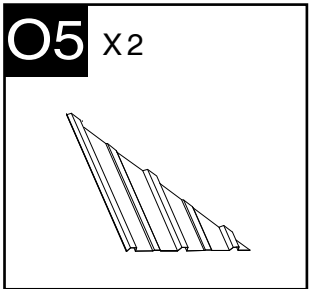
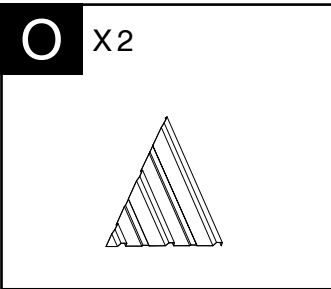
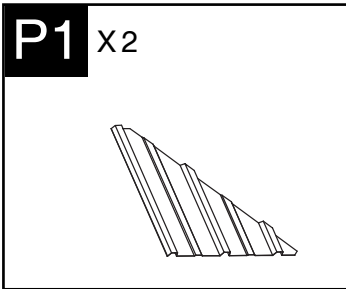
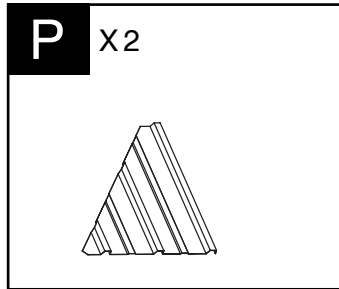
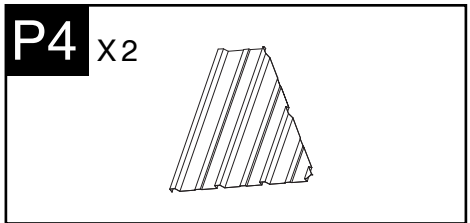
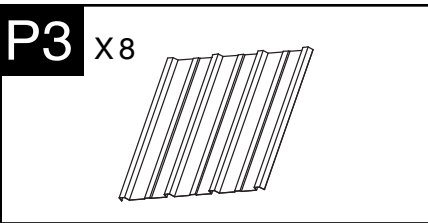
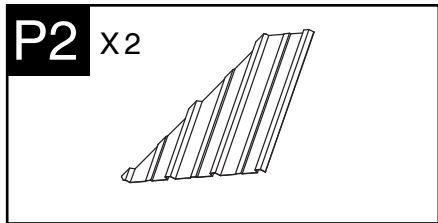
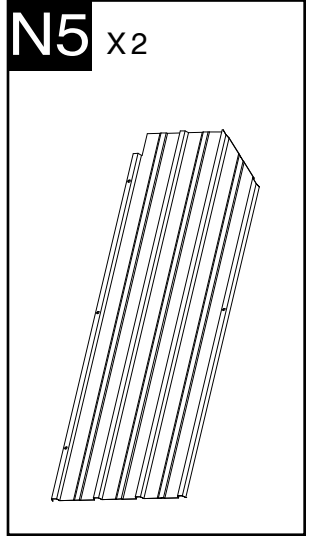
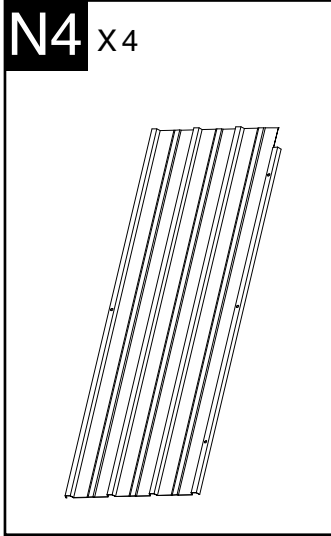
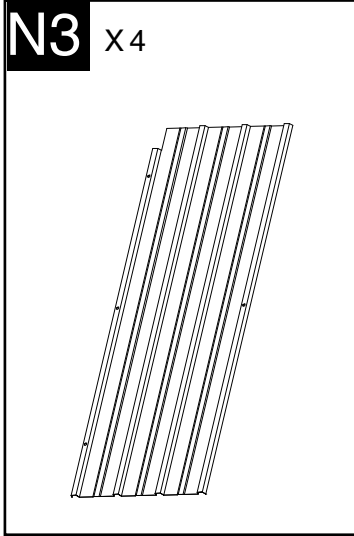
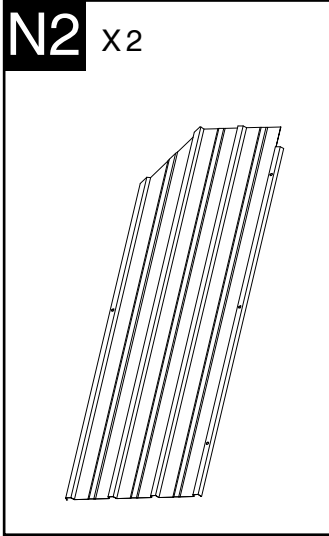
WE X 2



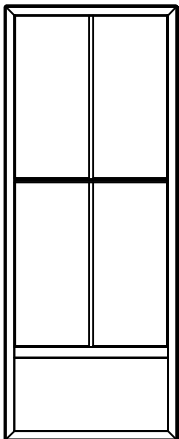




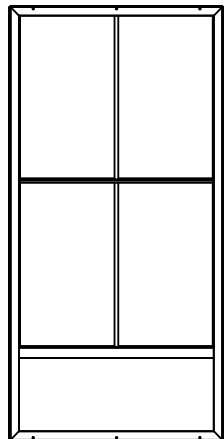




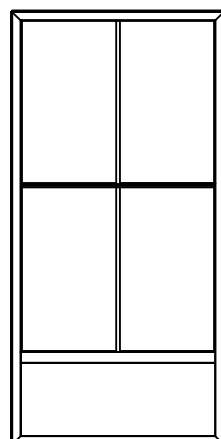
A1 X6



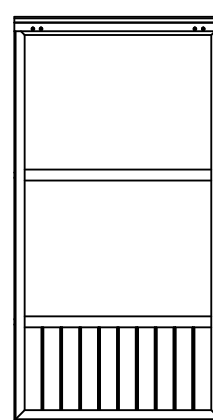
A2 X4



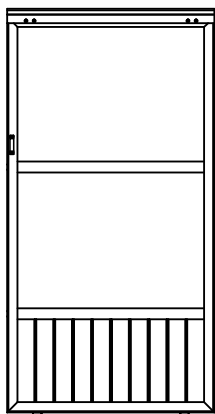
A3 X2

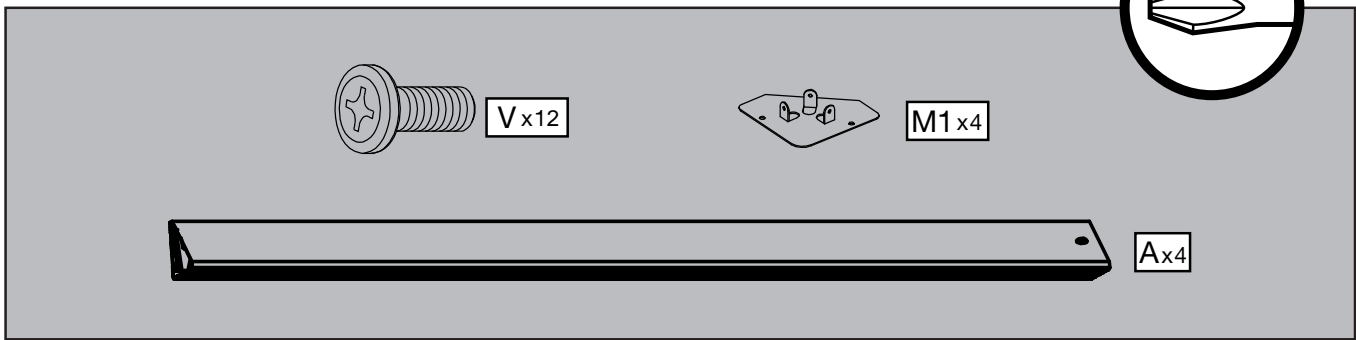
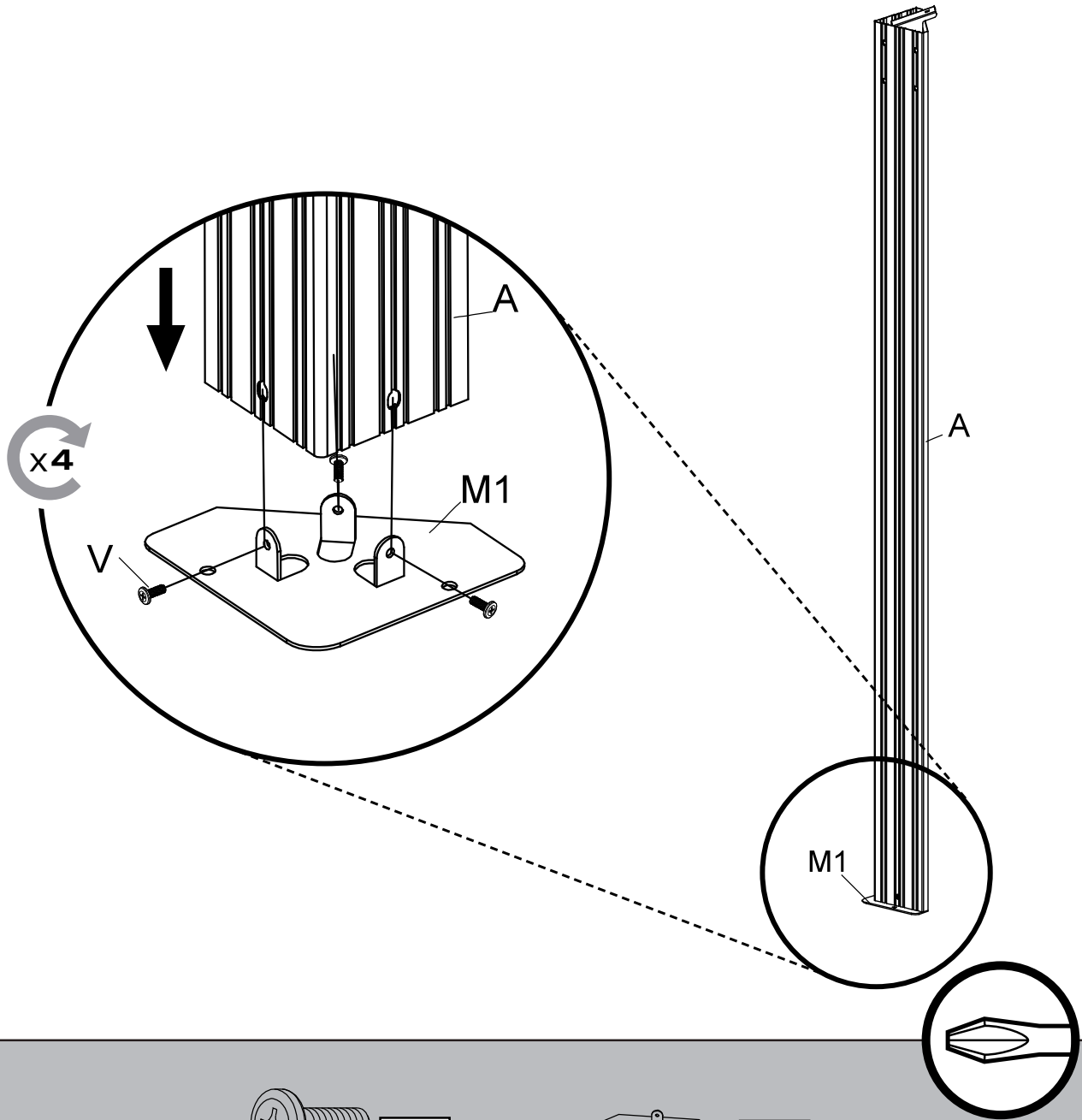


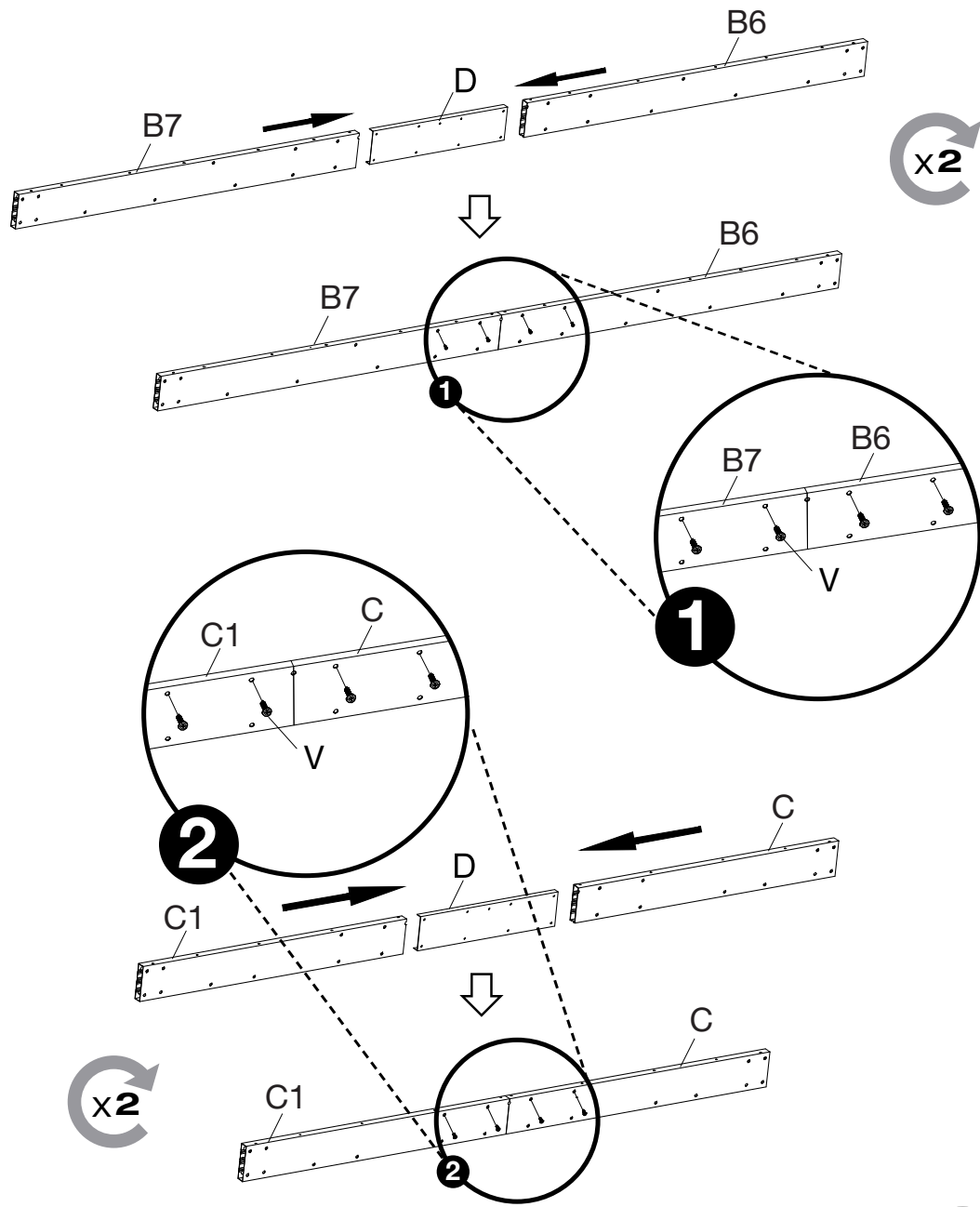
B2 X2



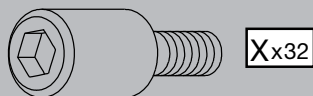
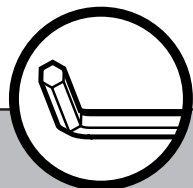
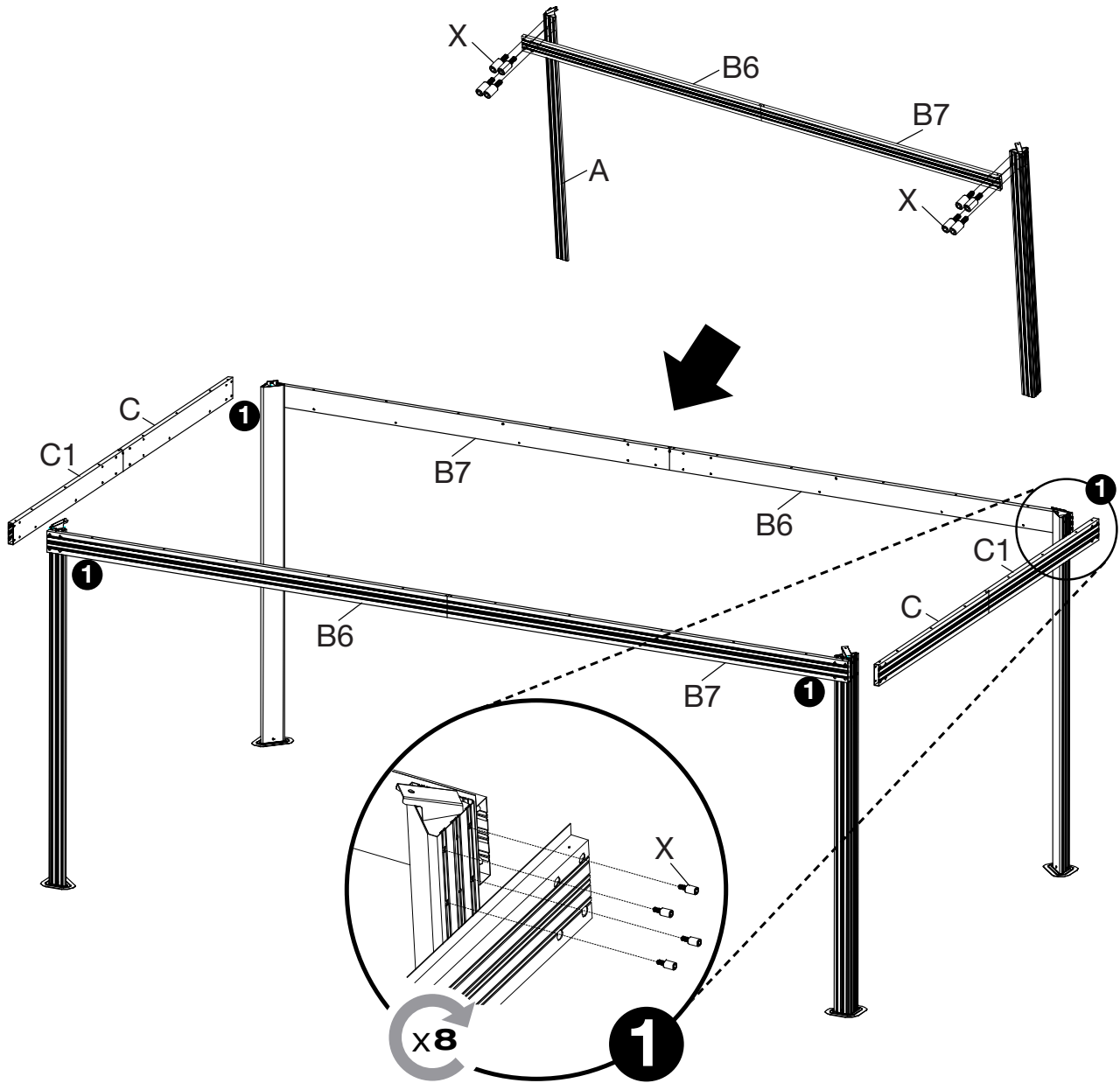
B3 X2

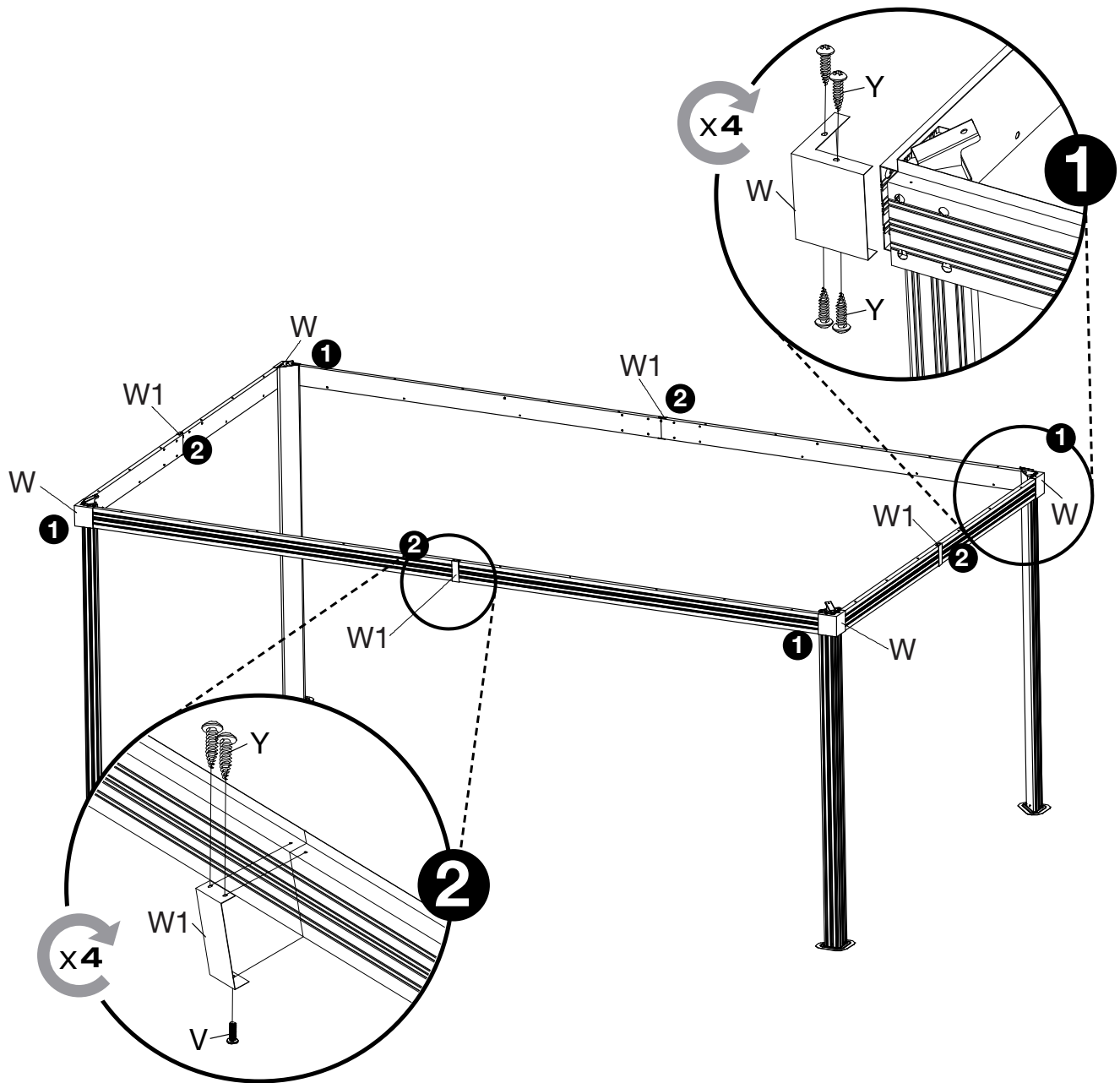






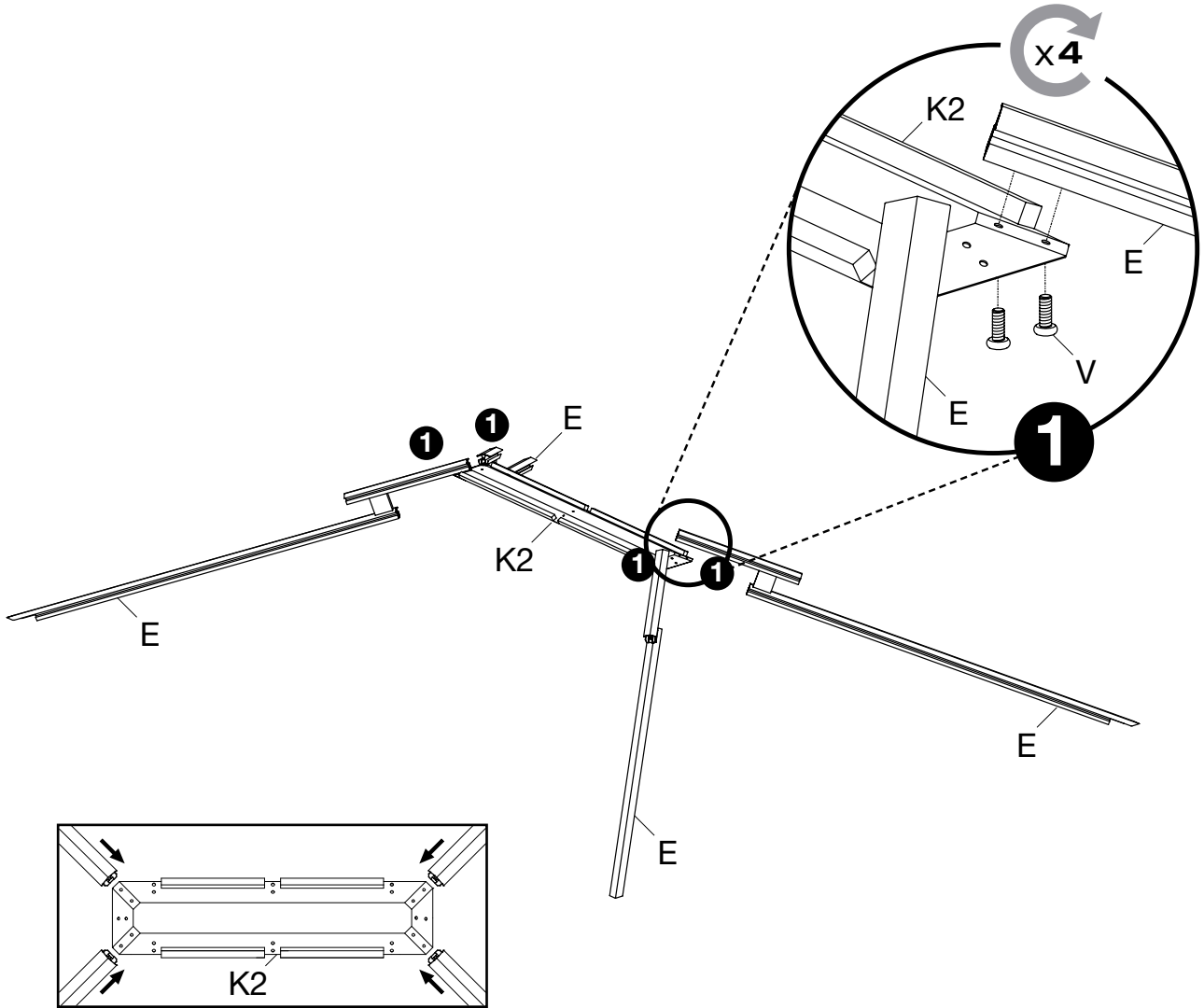
	B6x2		Cx2		Vx16
	B7x2		C1x2		
			Dx4		





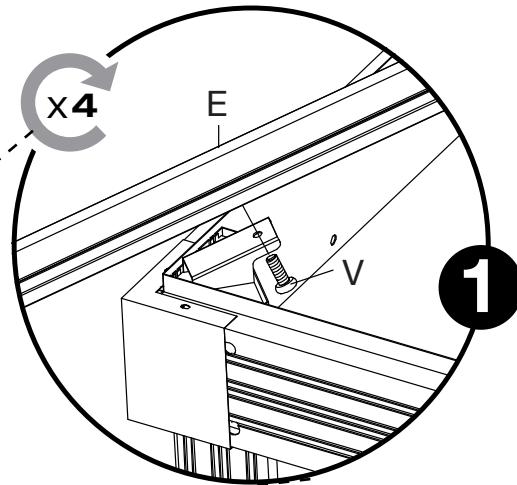
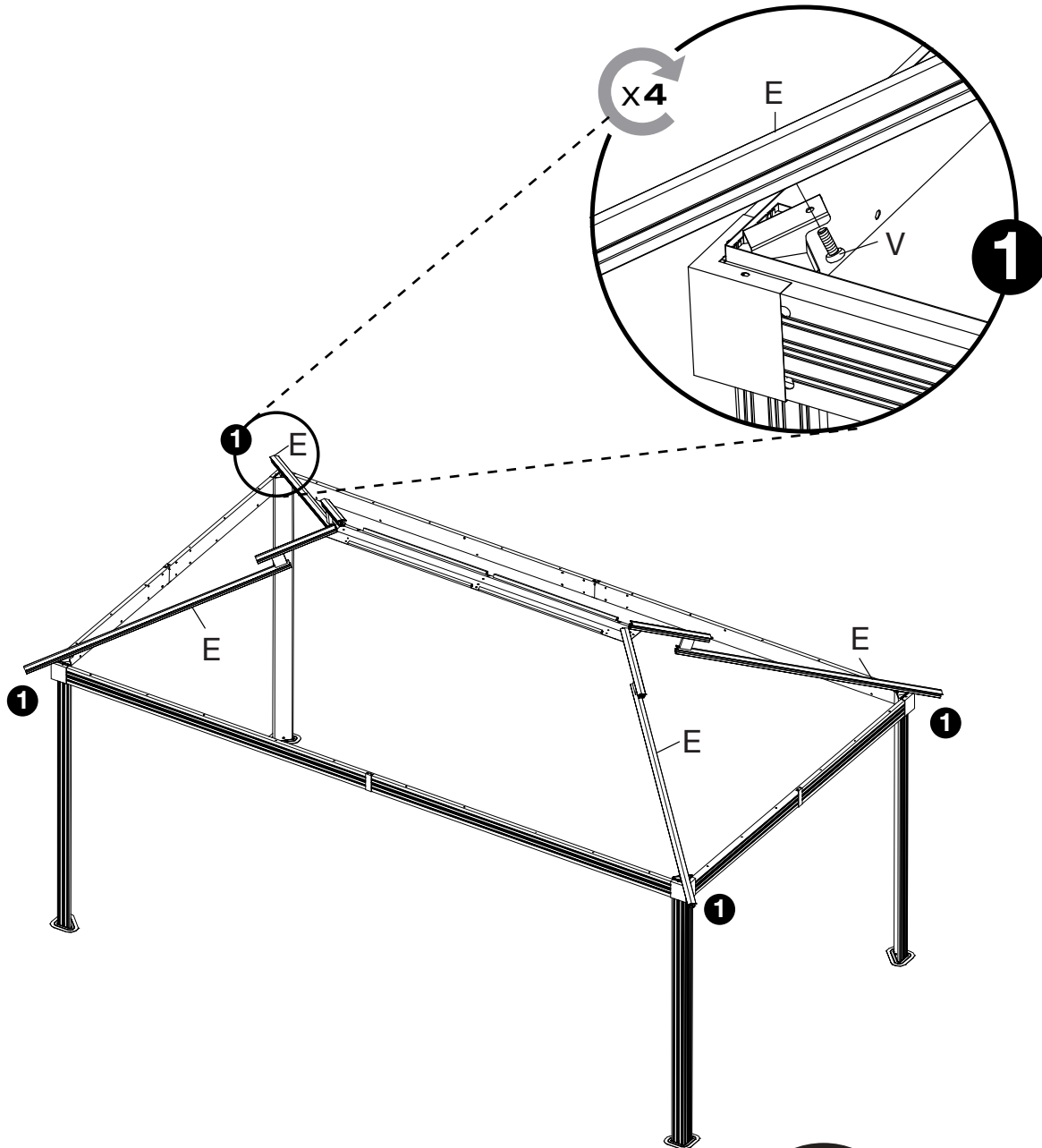
W x4 W1 x4 Y x24 V x4

⌘

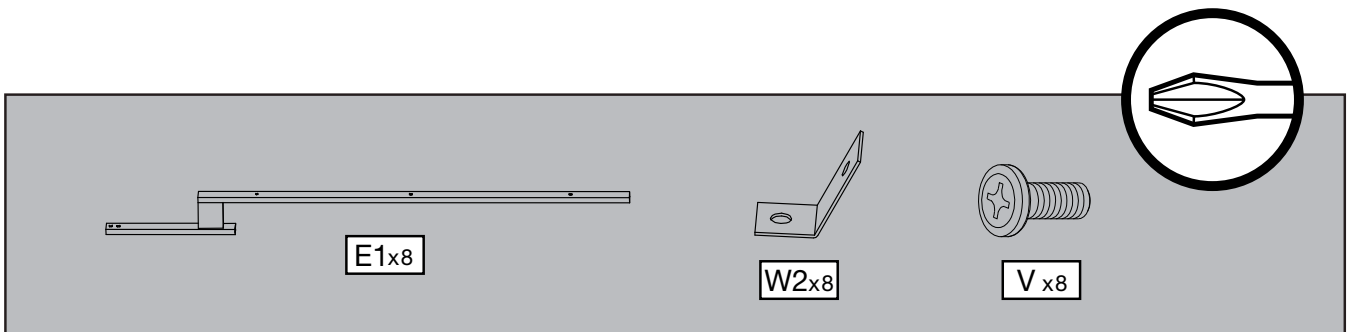
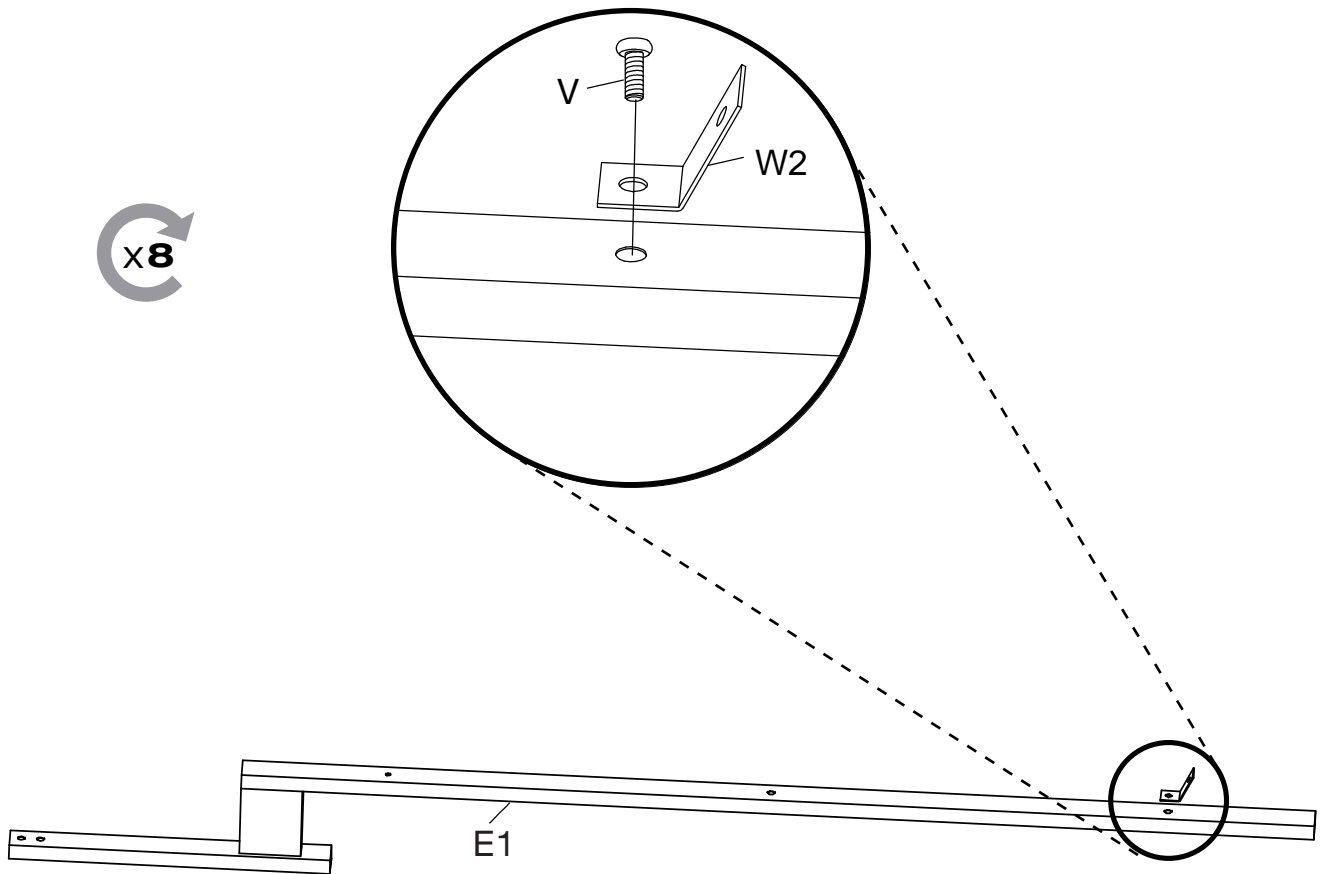


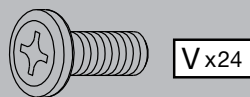
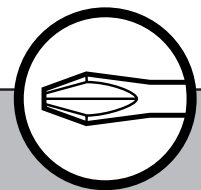
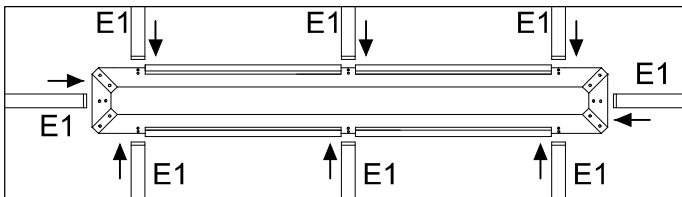
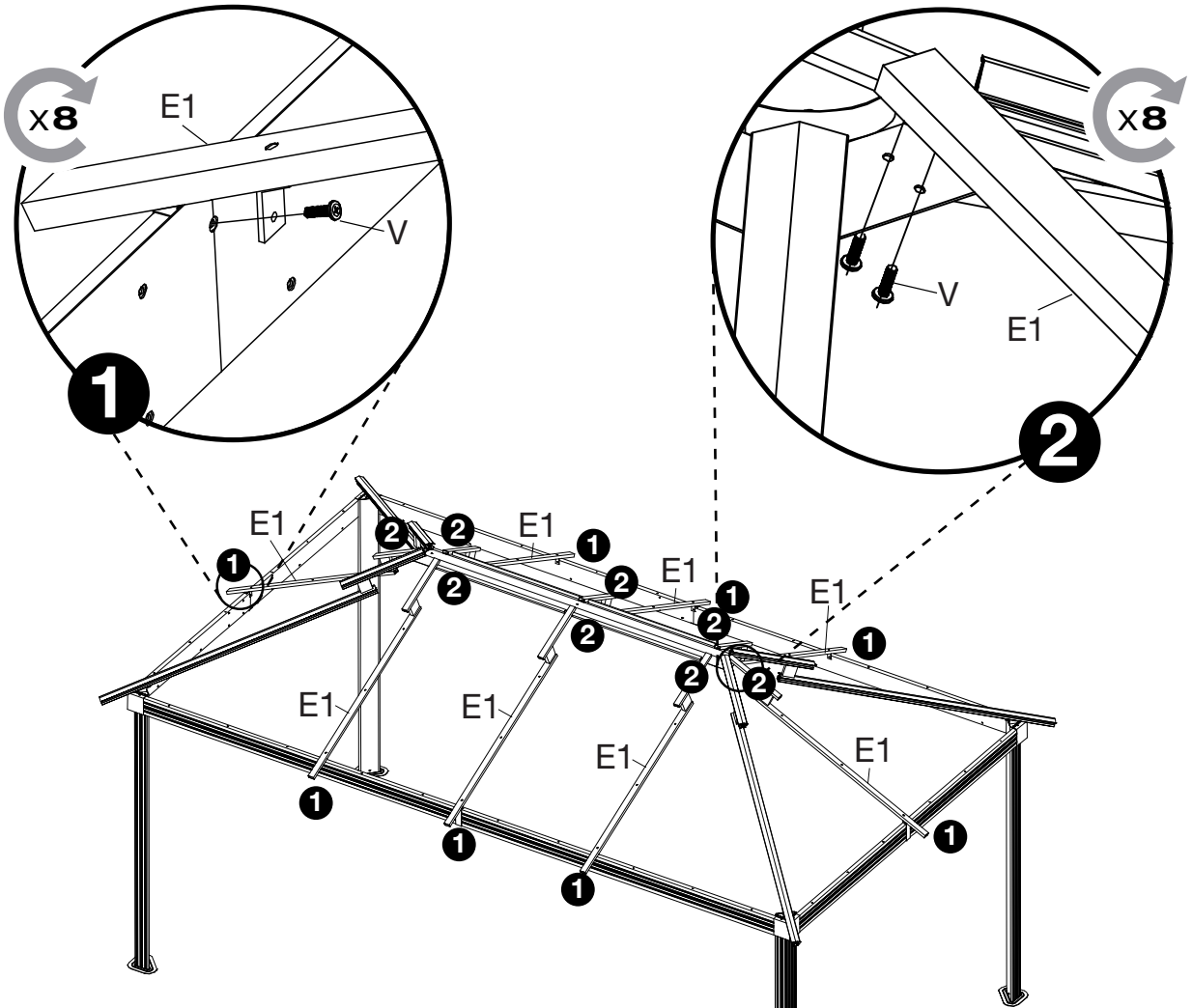
This section contains the parts list and icons for the assembly step. It includes:

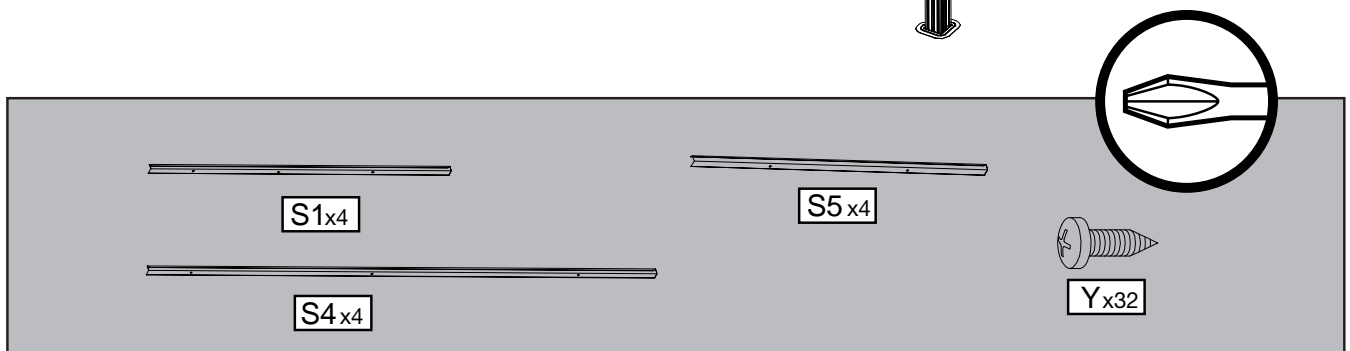
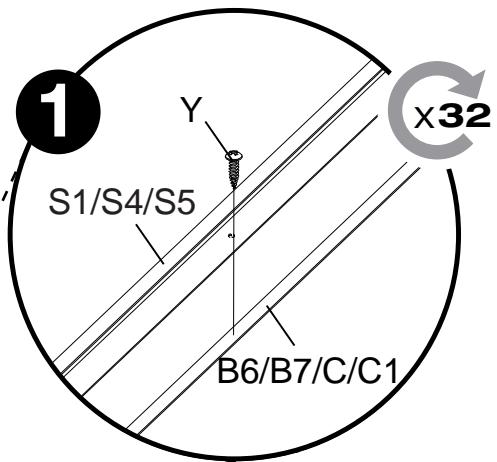
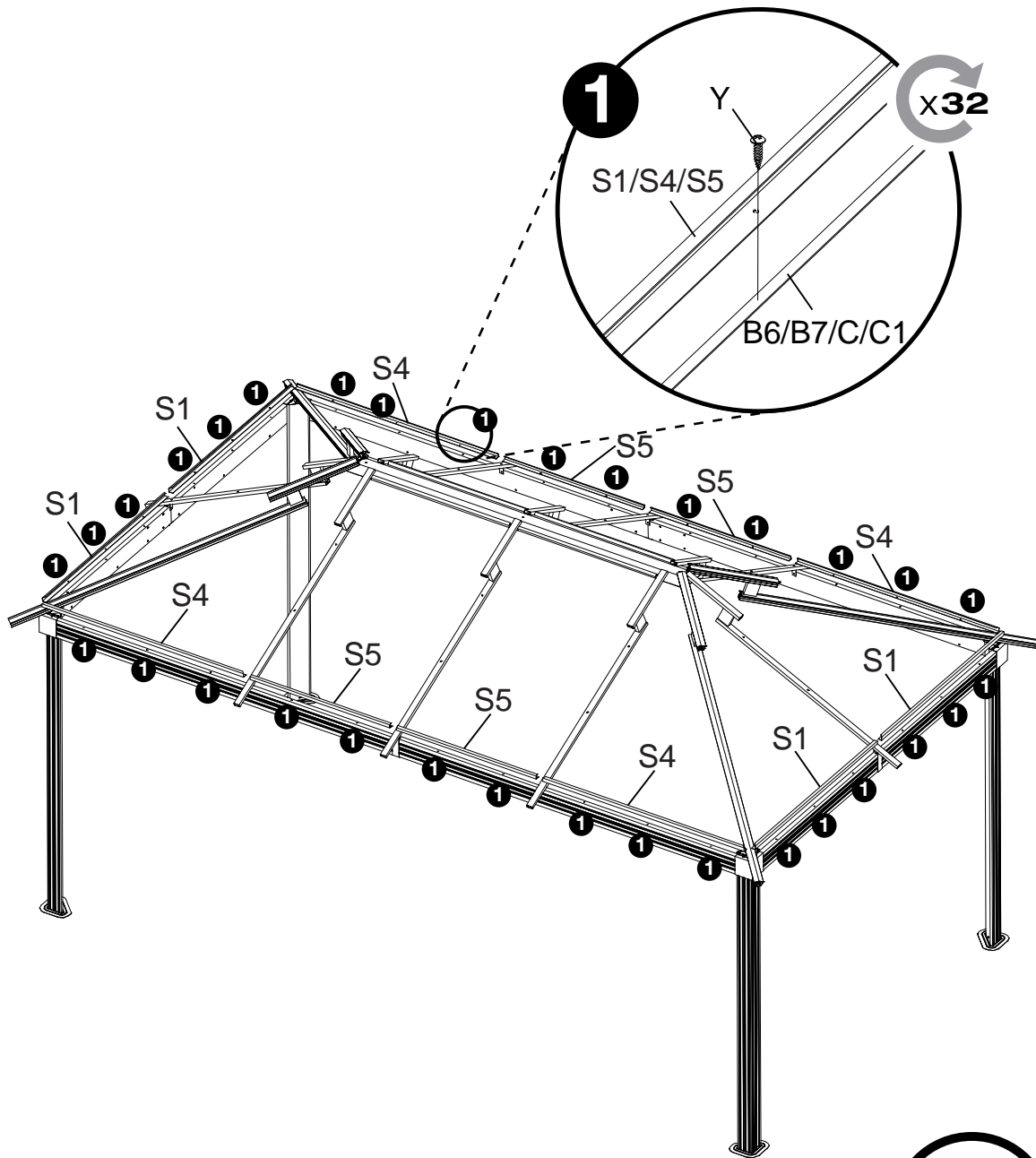
- An icon of two people with the text "2+", indicating that two people are required for this step.
- An icon of a screwdriver, indicating the tool needed for the assembly.
- A list of parts: **K2x1** (one frame piece), **E x4** (four legs), and **Vx8** (eight screws).

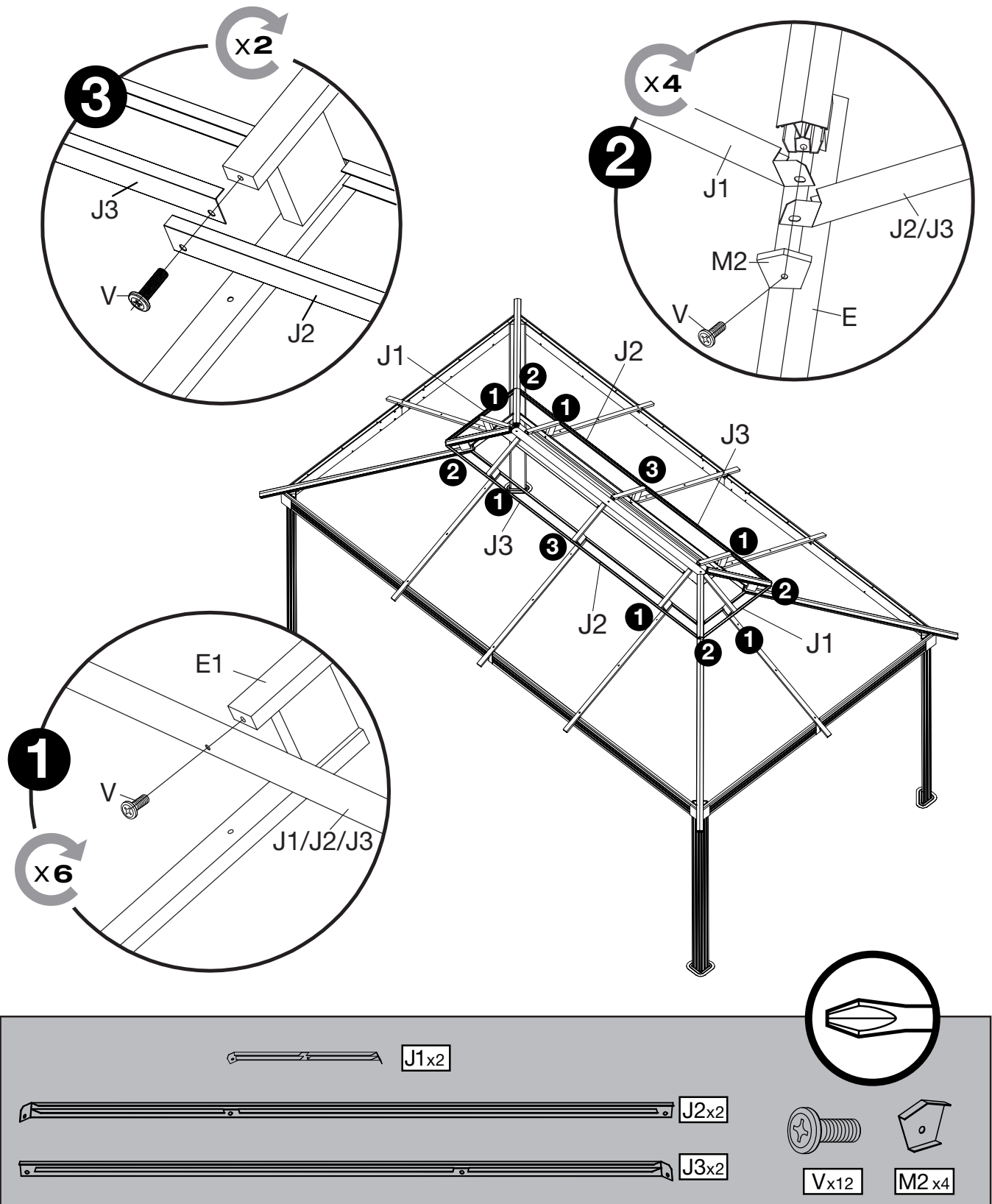


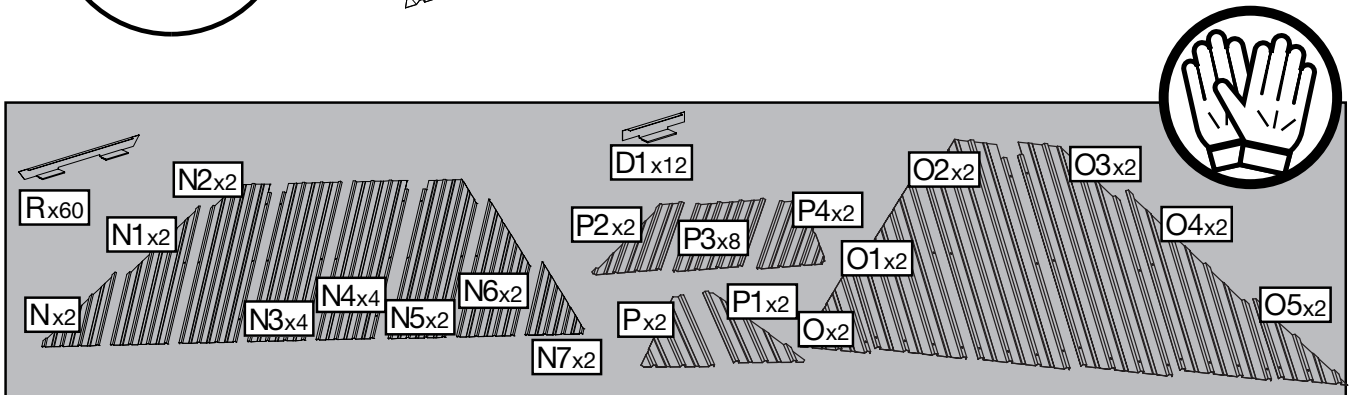
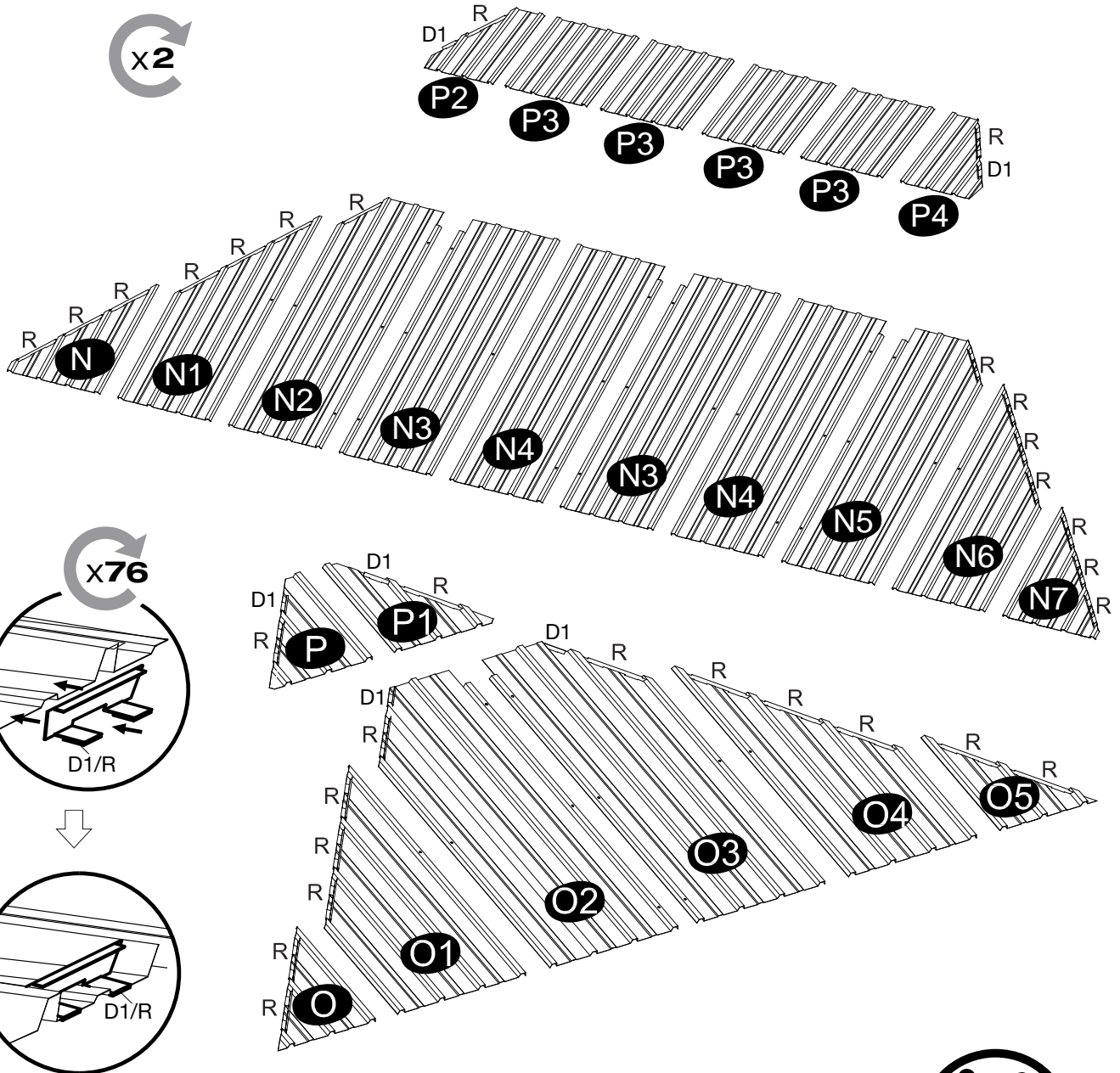
This area contains the material list for the assembly step. It includes a drawing of a screw with the label 'V x4'. To the right of the screw are two circular icons: one showing two people with the number '2+' below them, and another showing a screwdriver.

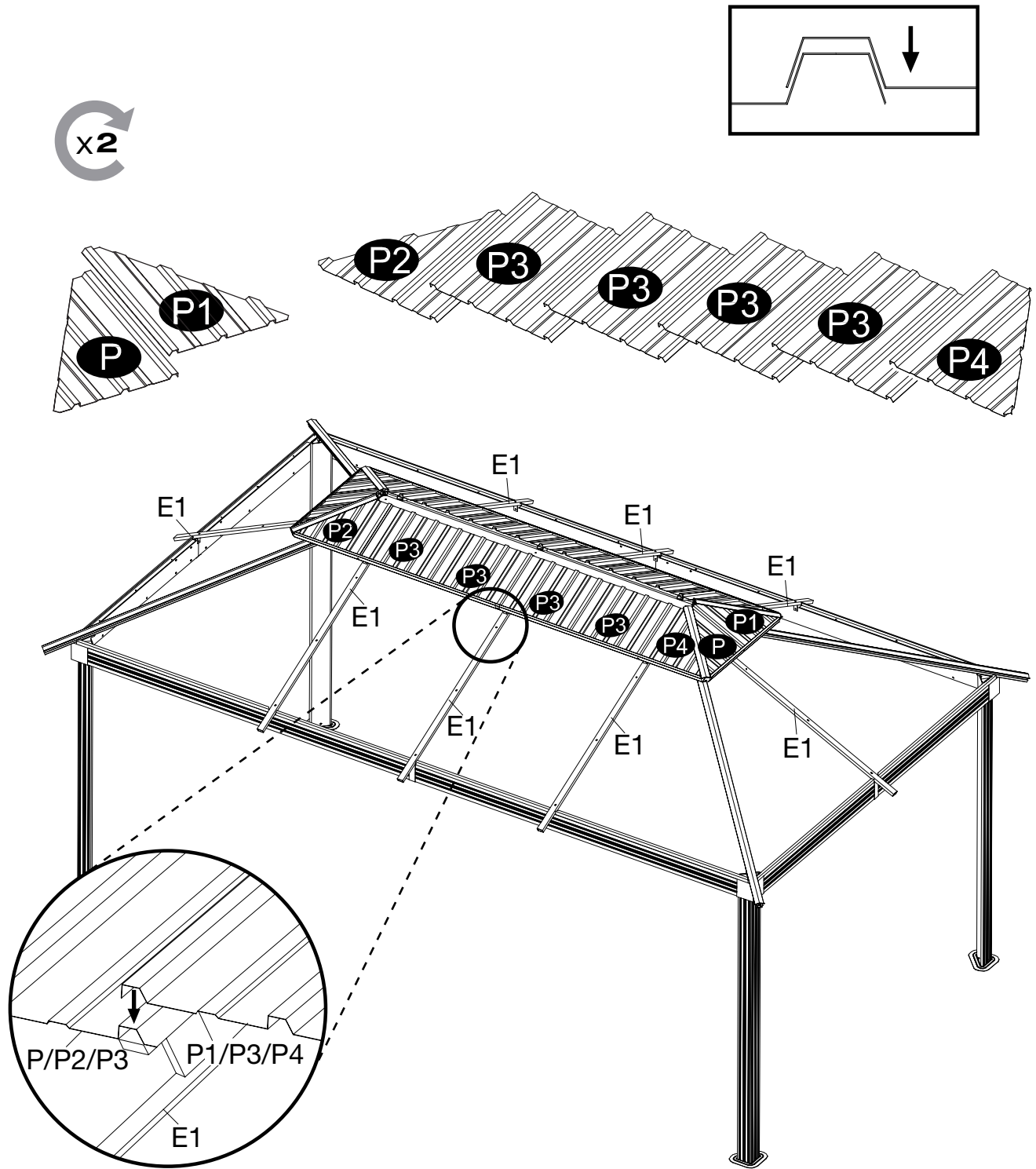


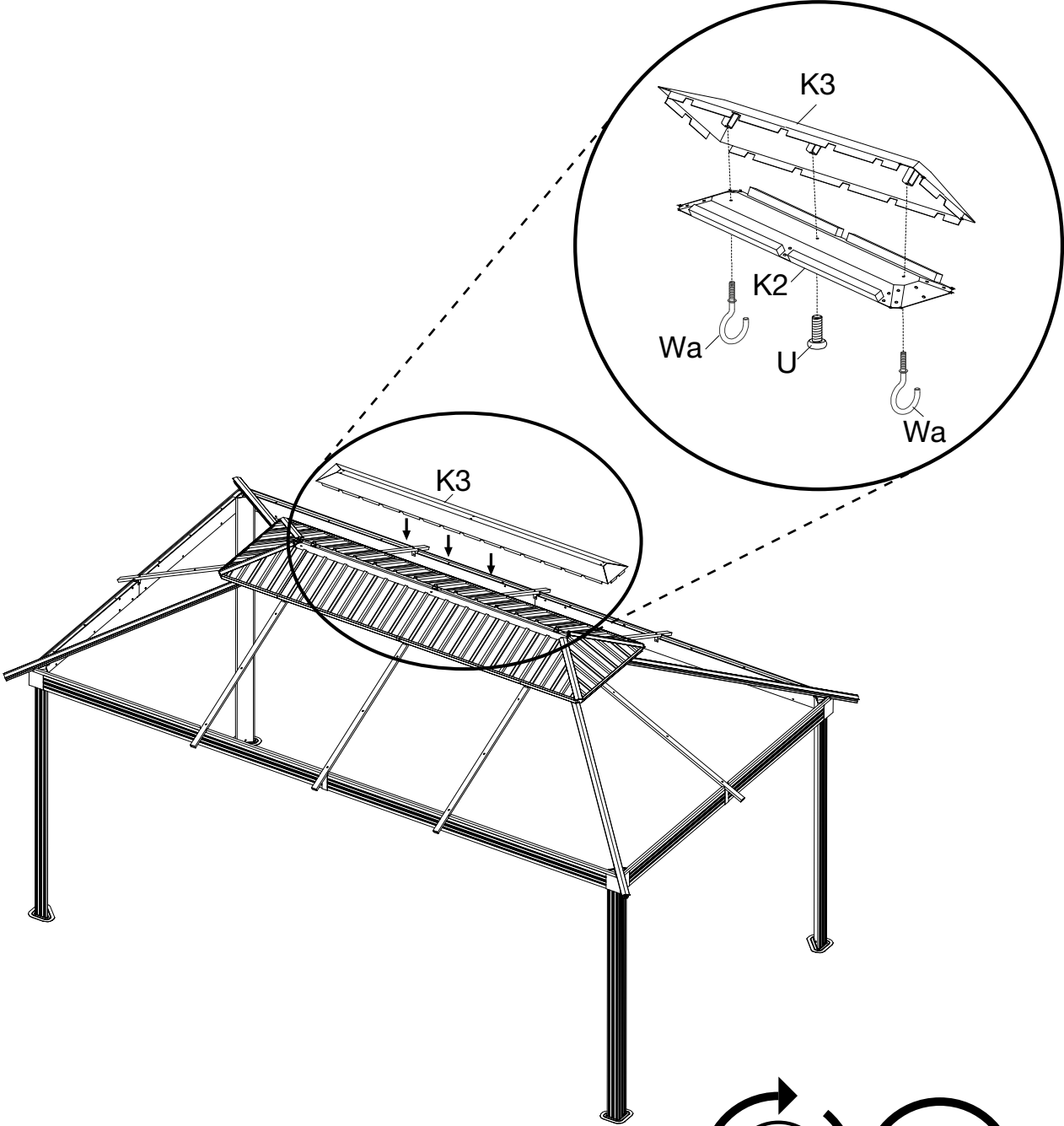






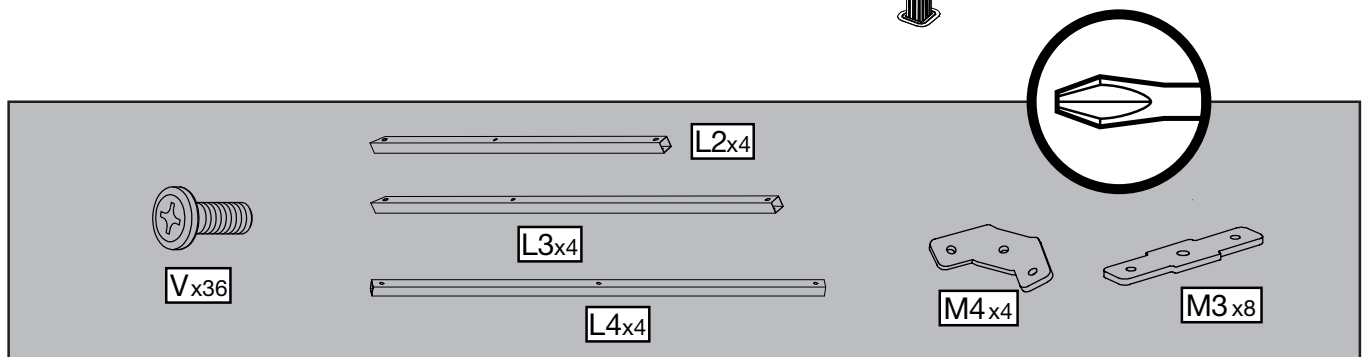
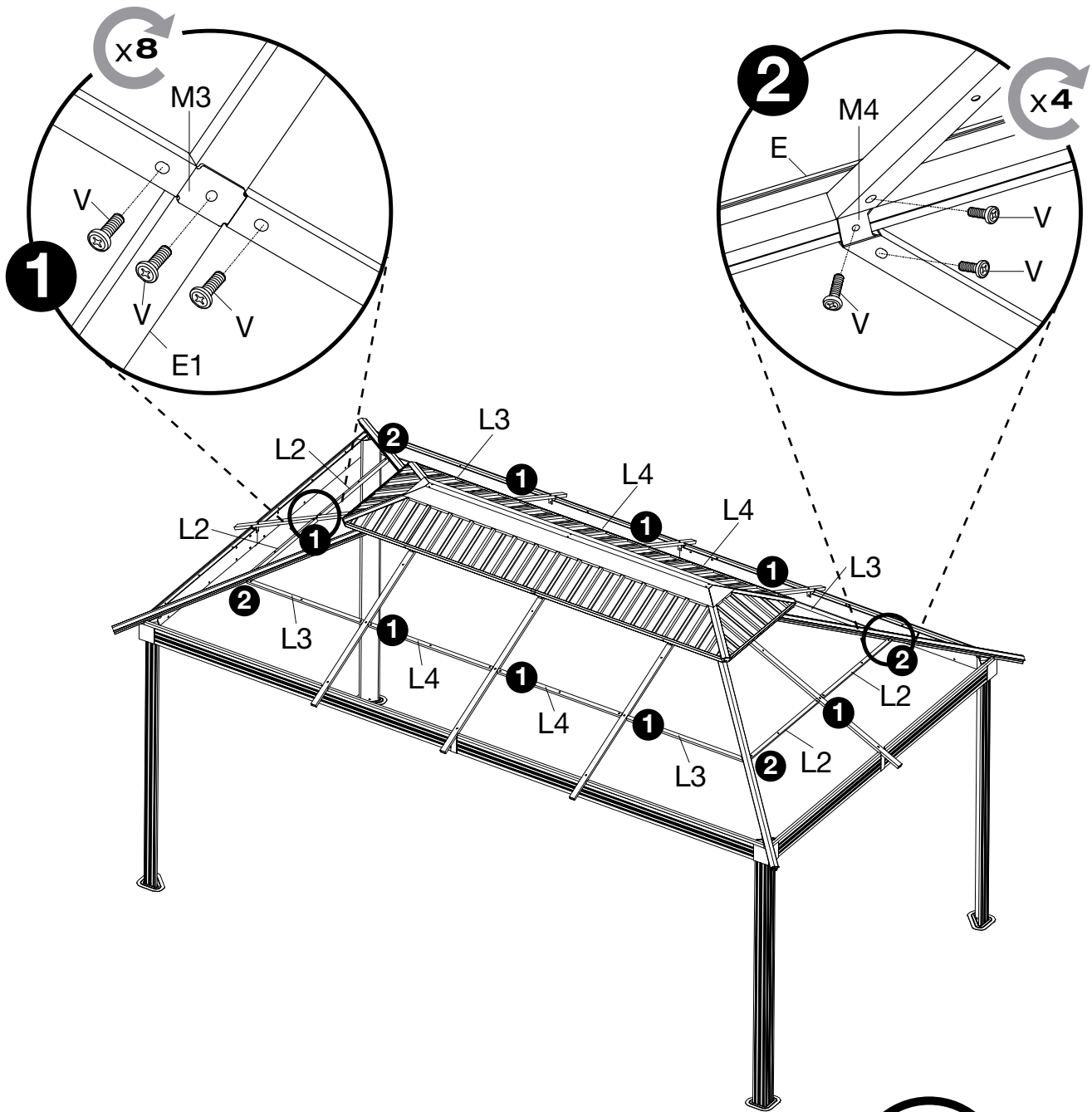


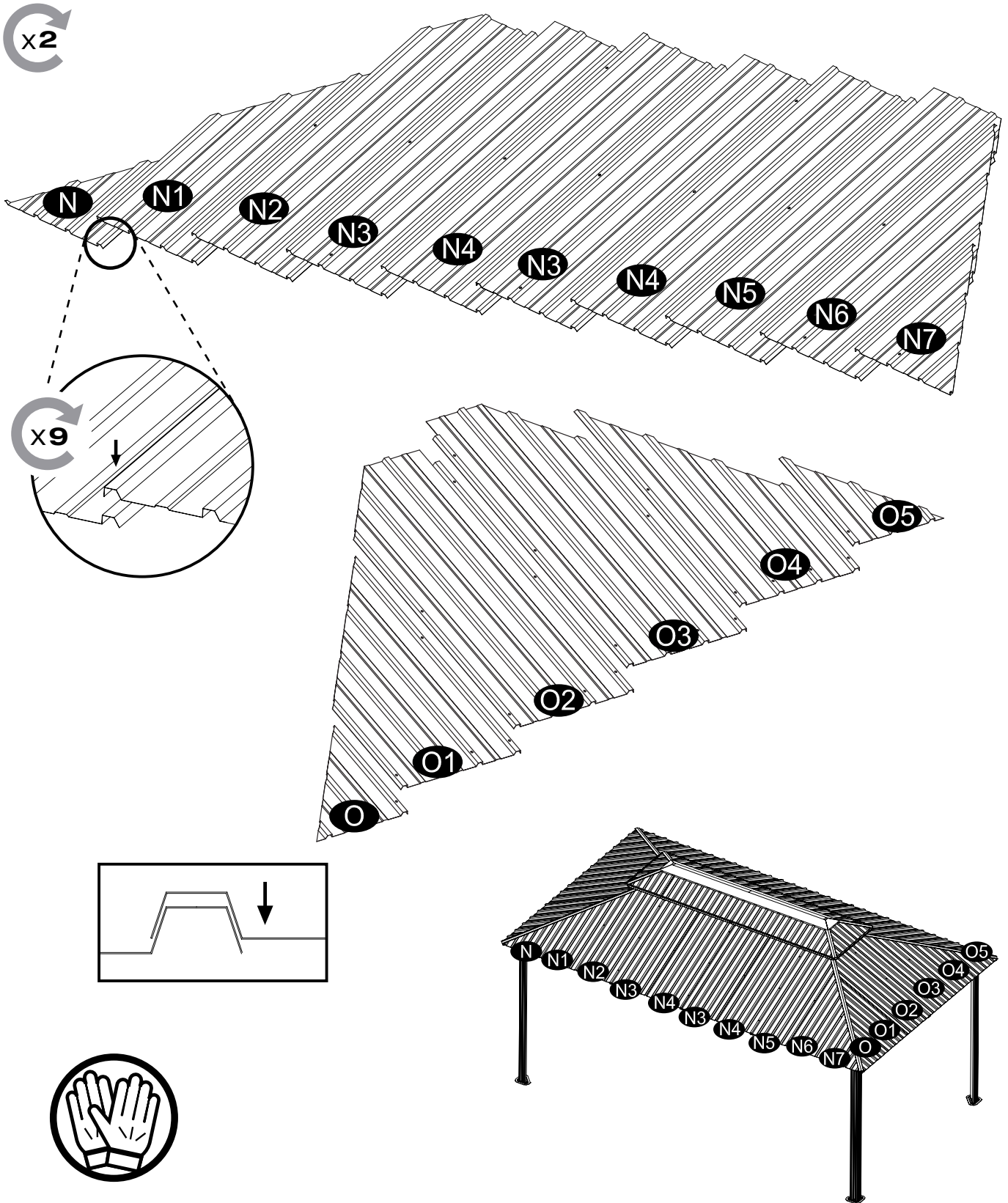


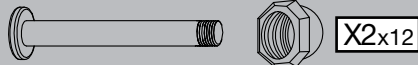
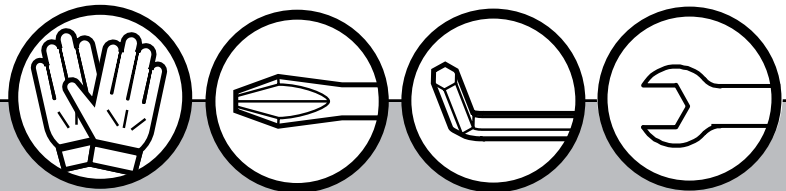
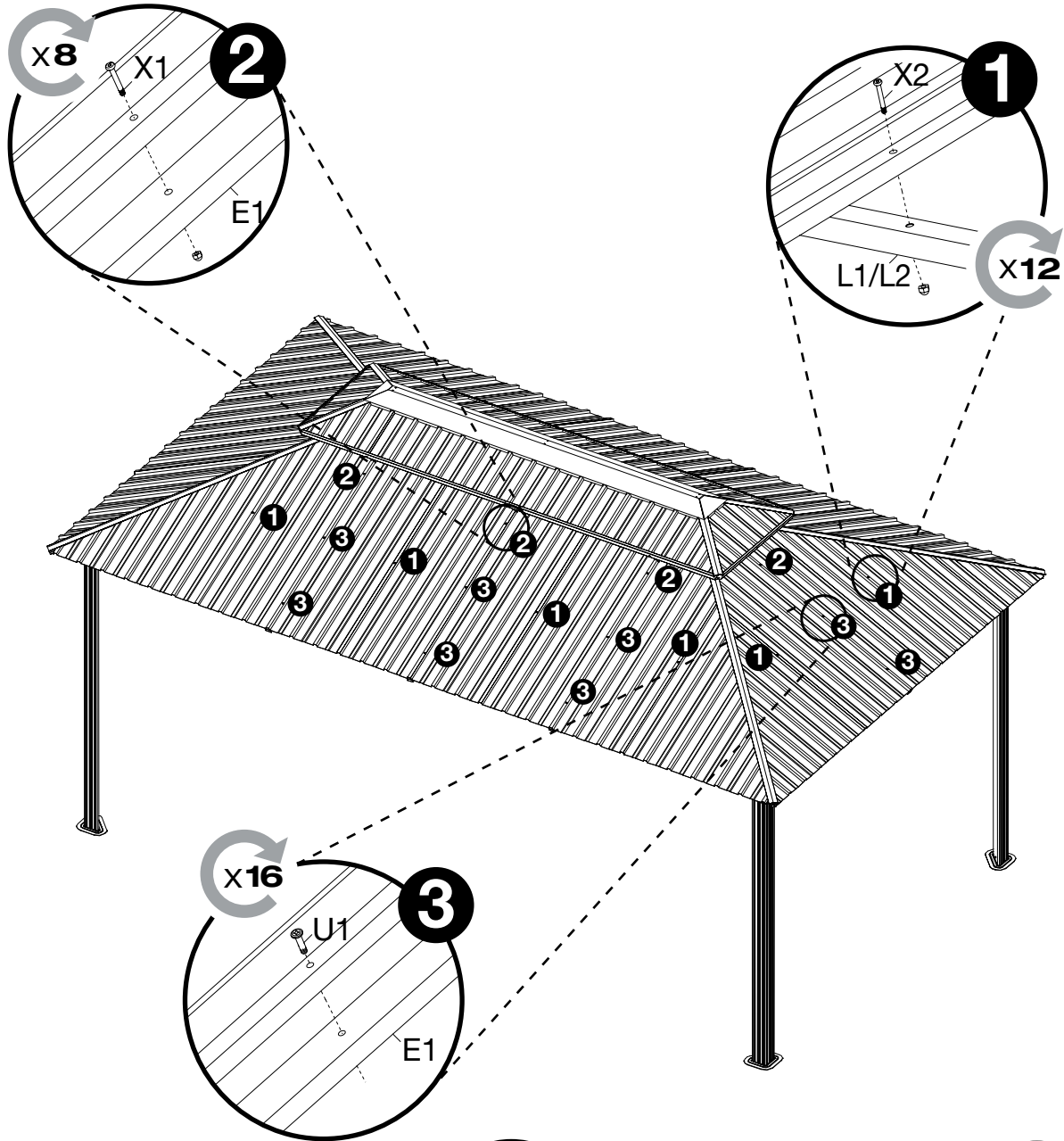


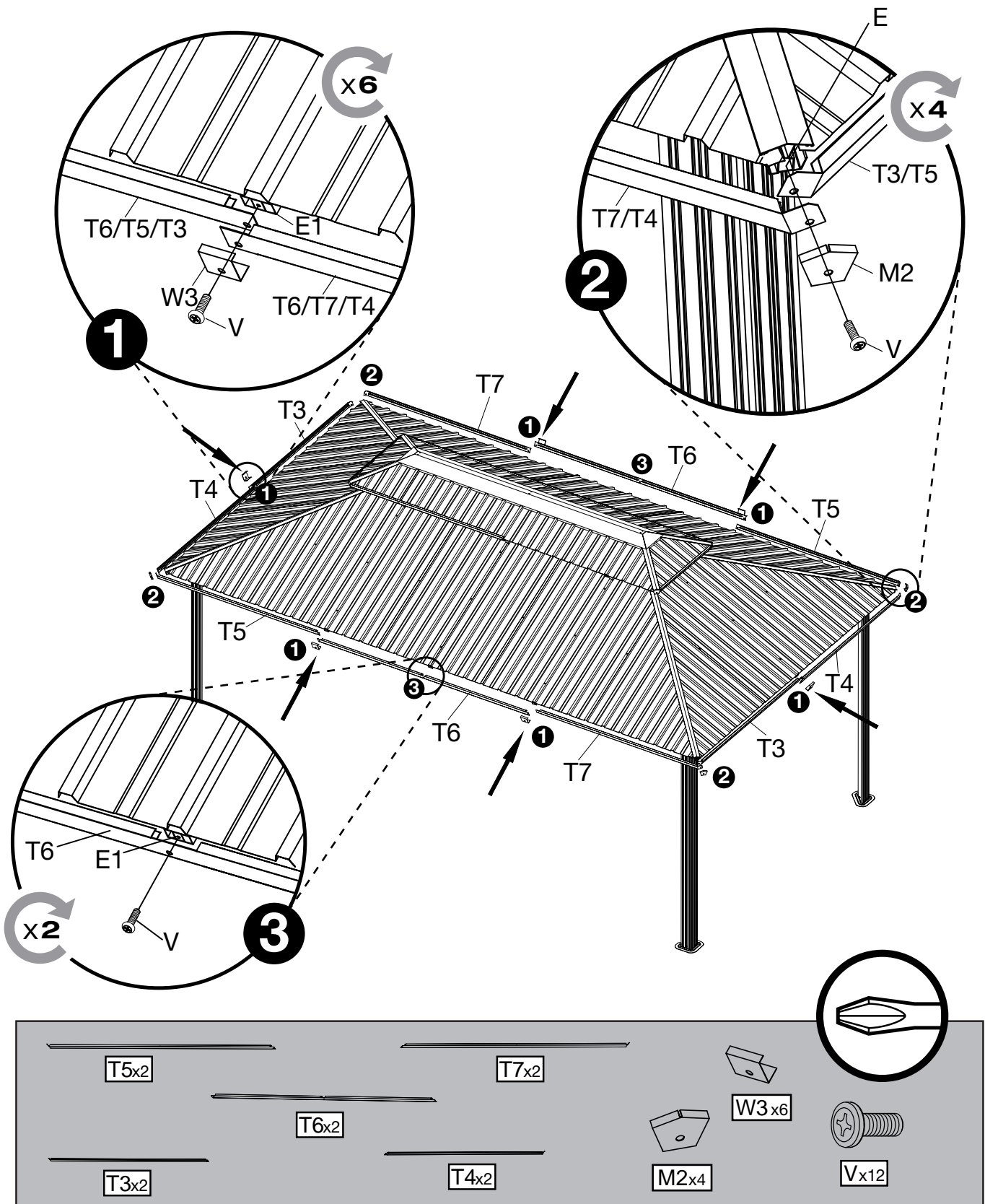
Wa x2 K3x1 Ux1

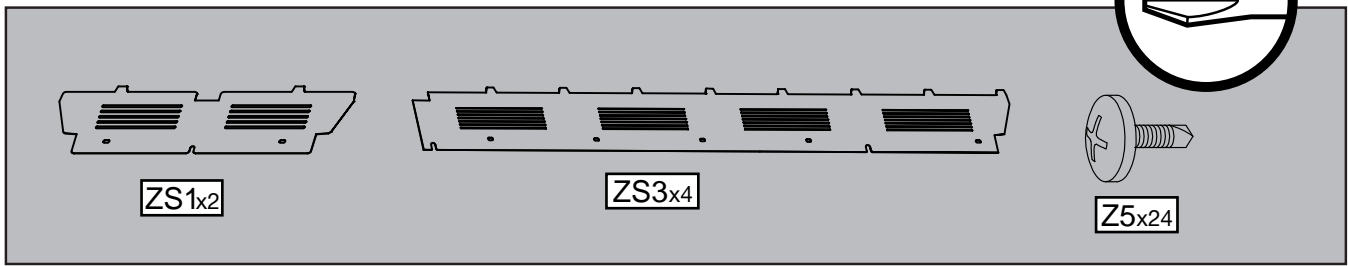
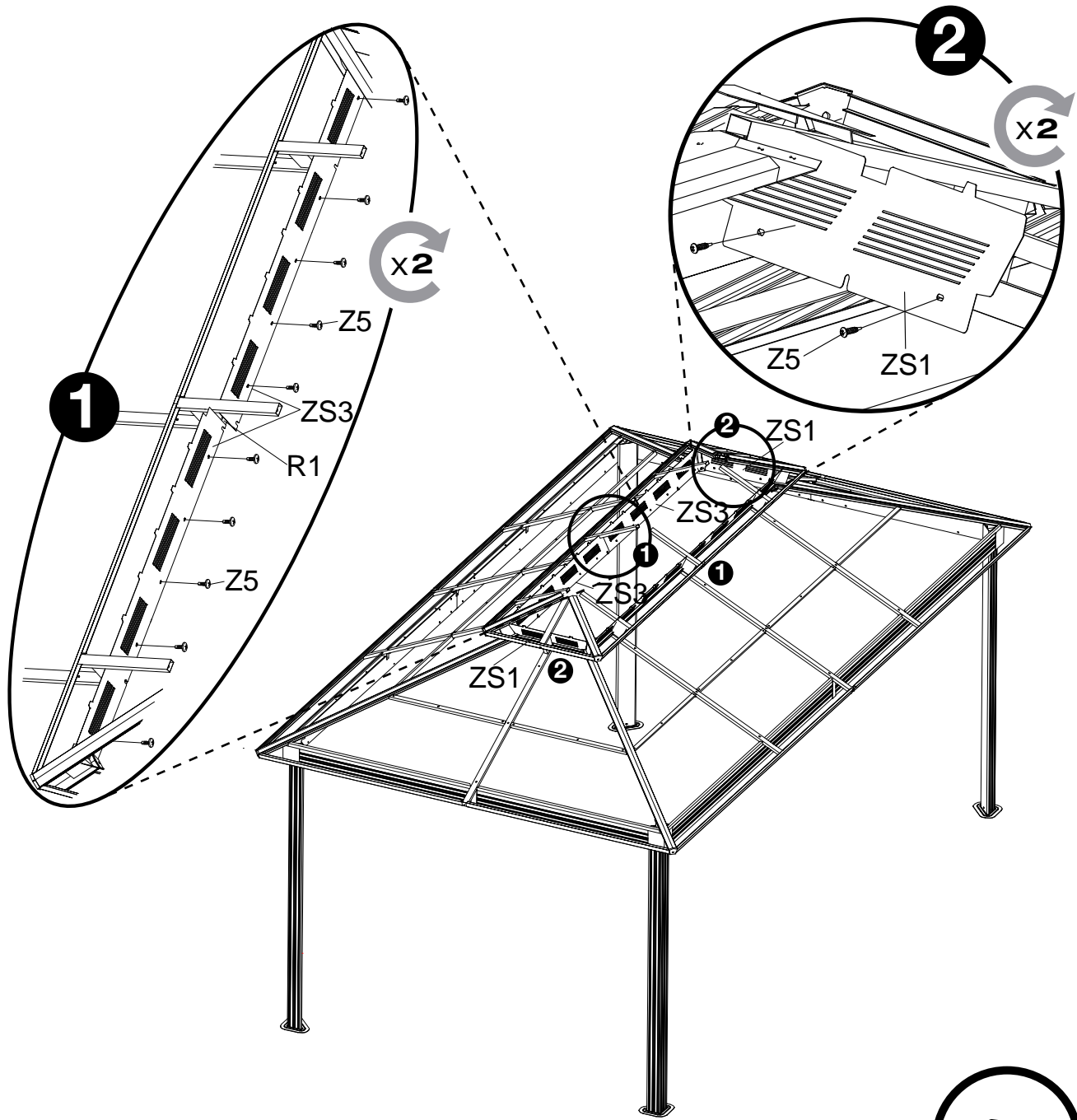
The parts list includes two hooks (Wa x2), one component (K3x1), and one screw (Ux1). Safety icons include a 'no hand' symbol and a 'use pliers' symbol.

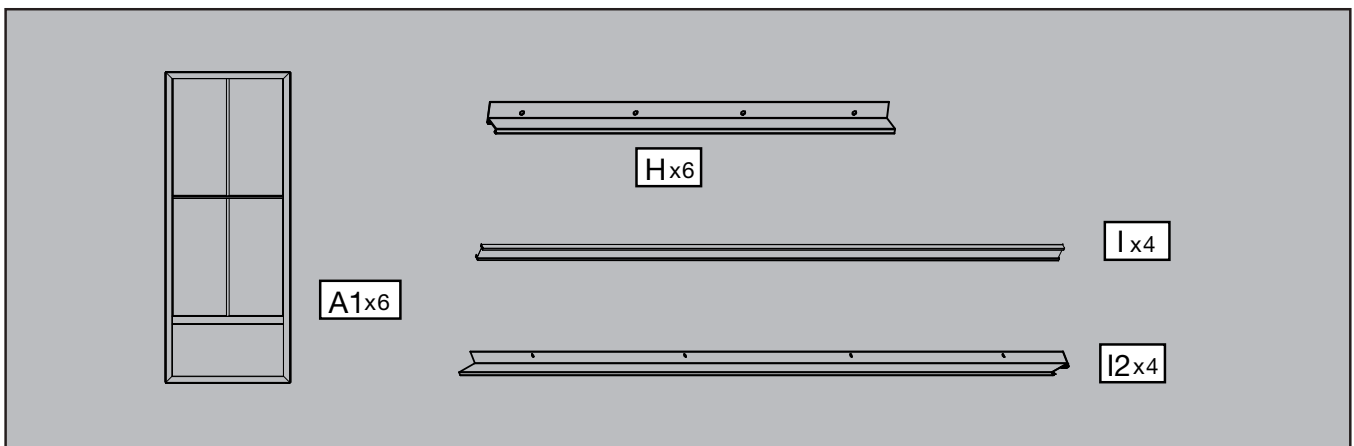
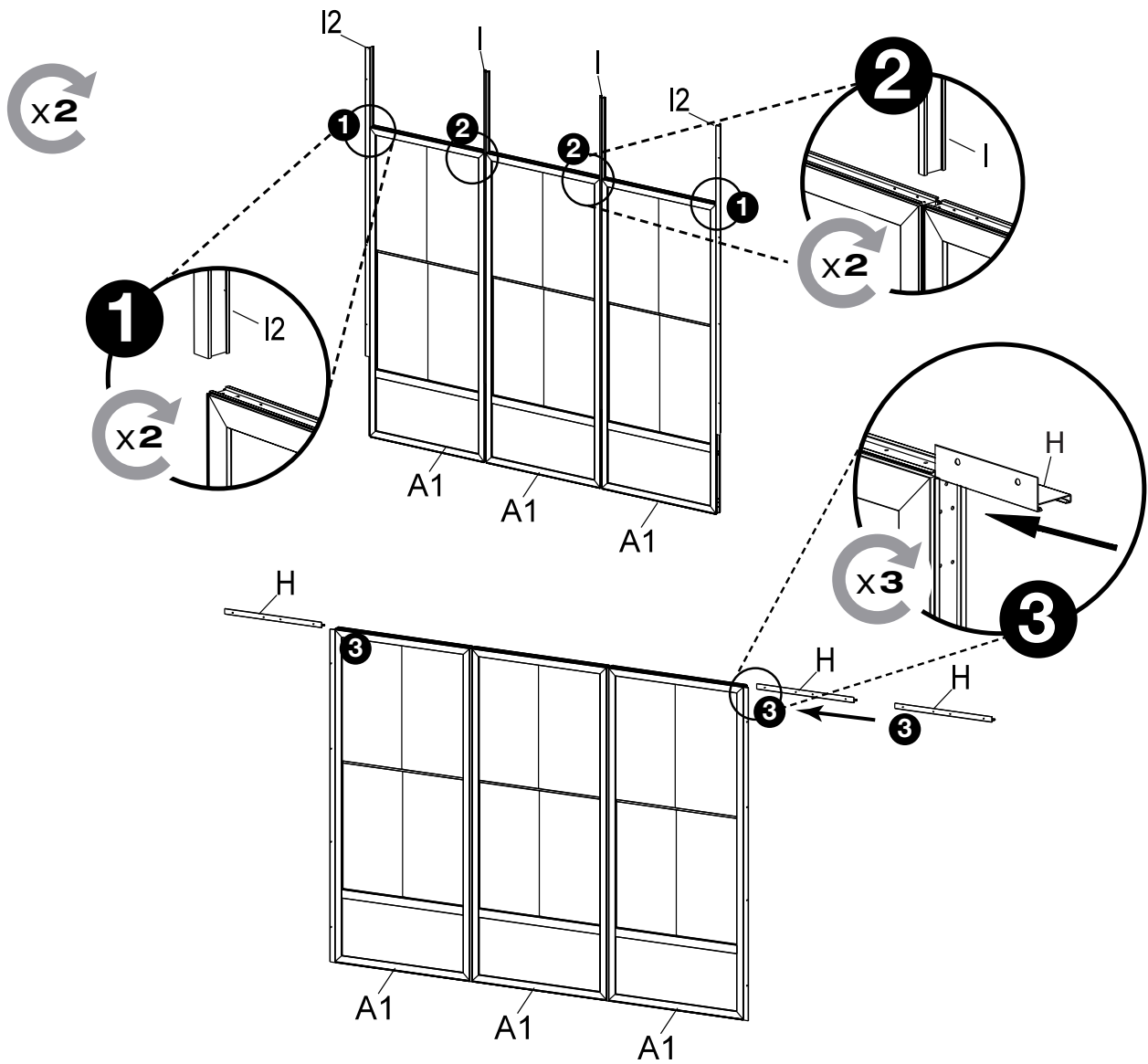


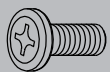
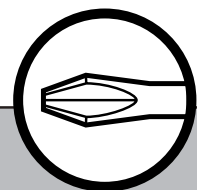
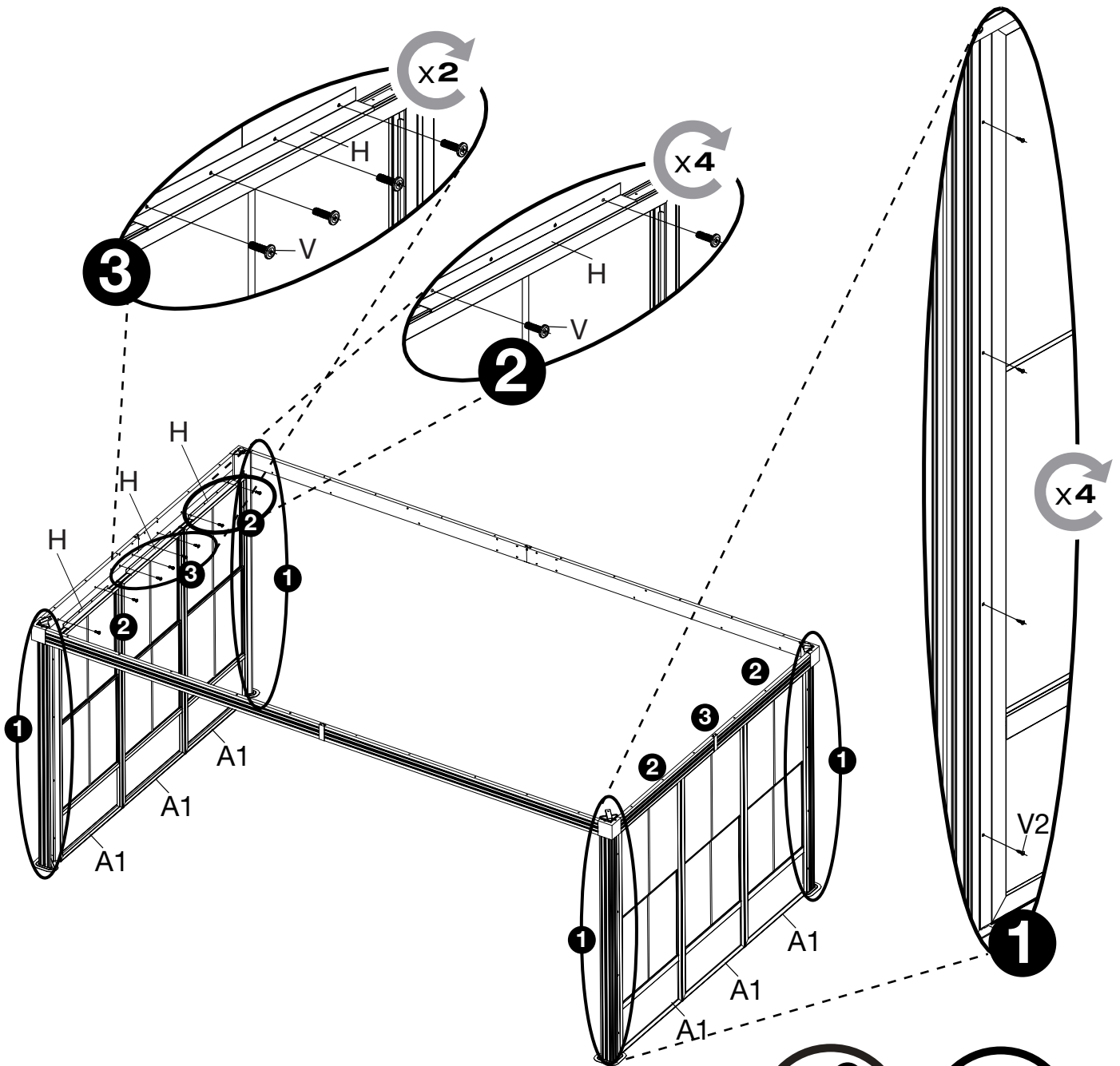




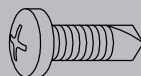




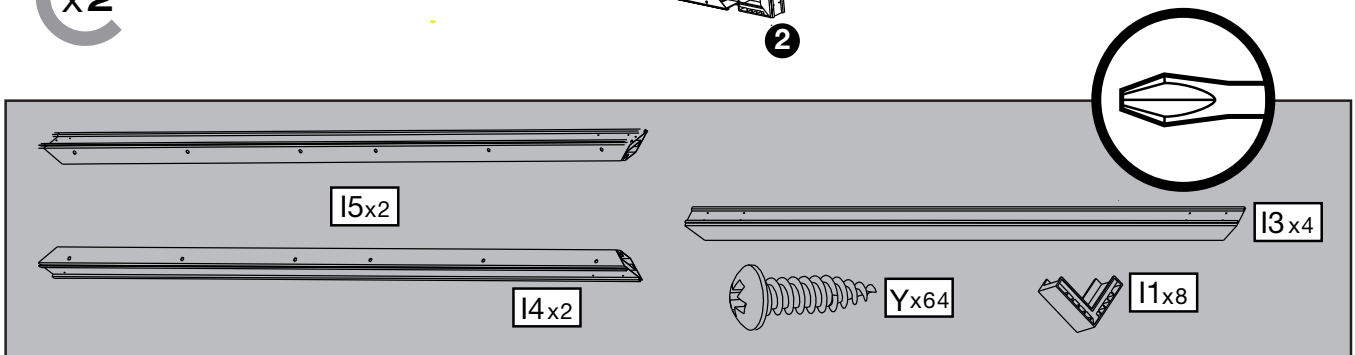
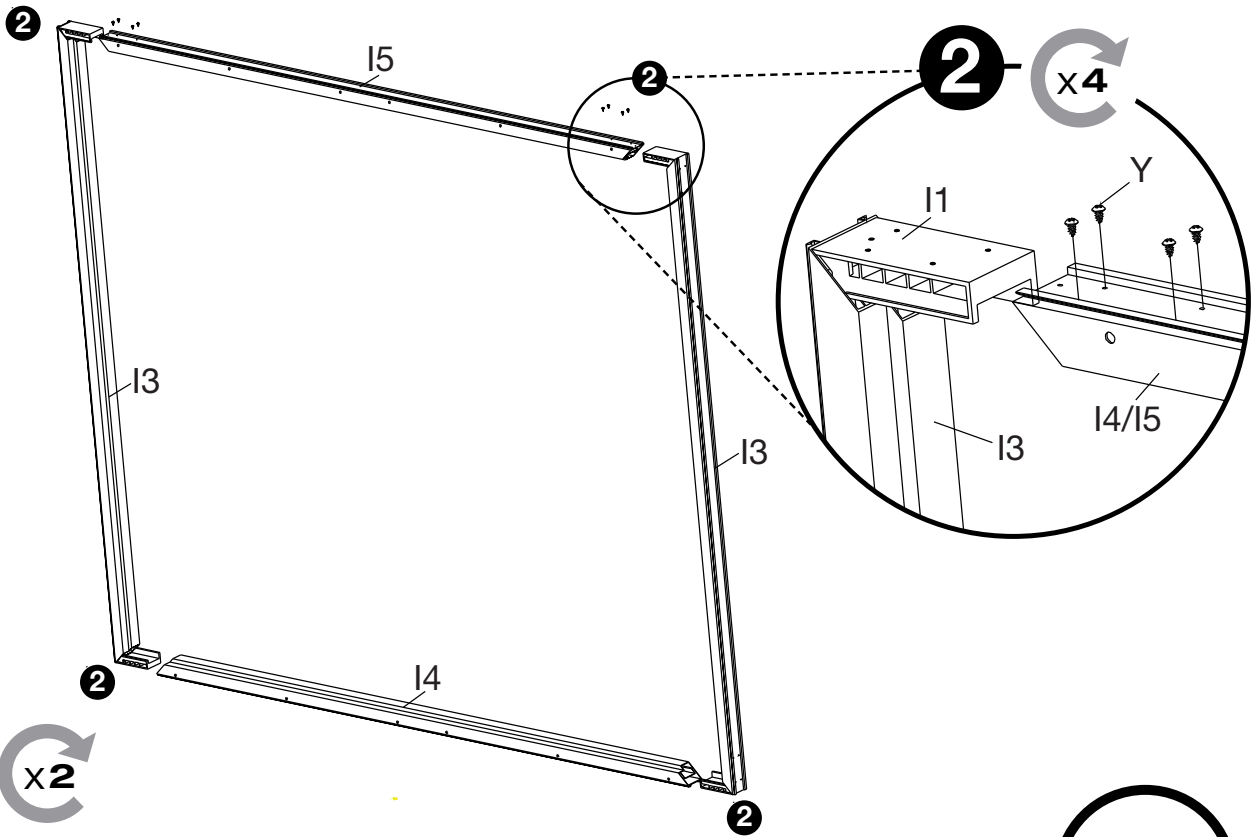
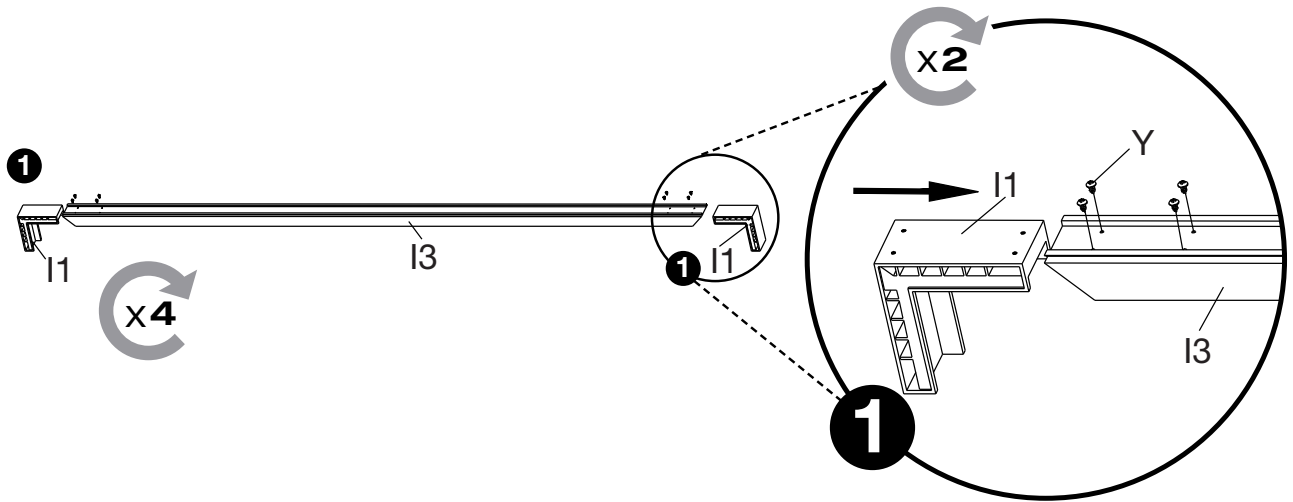


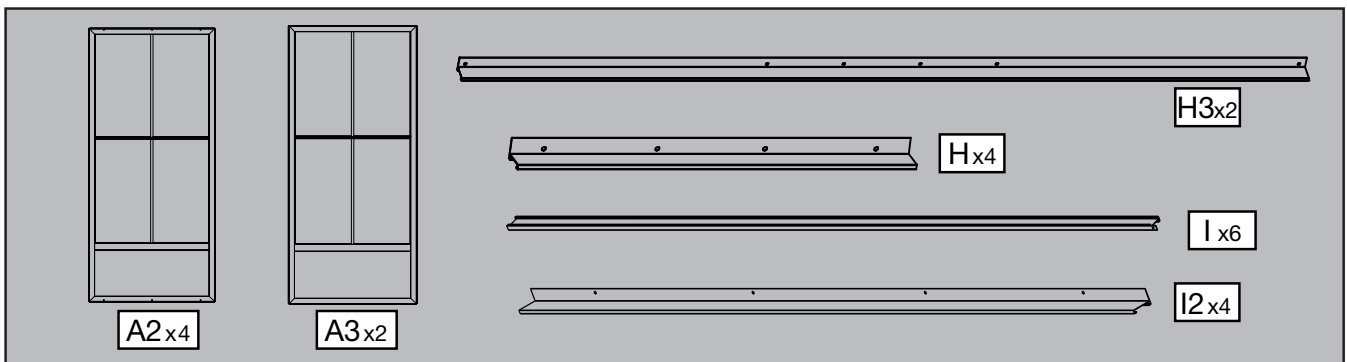
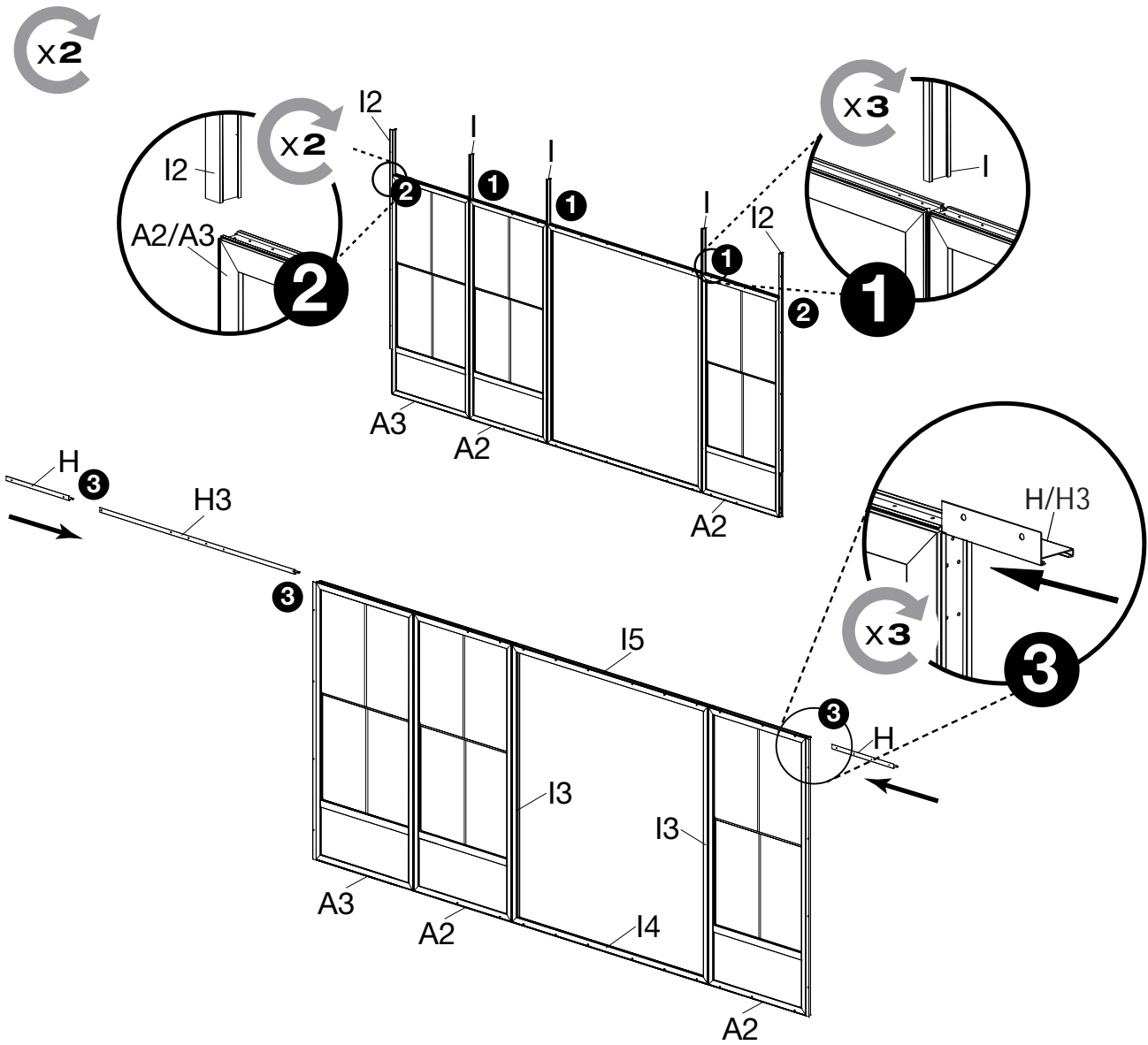


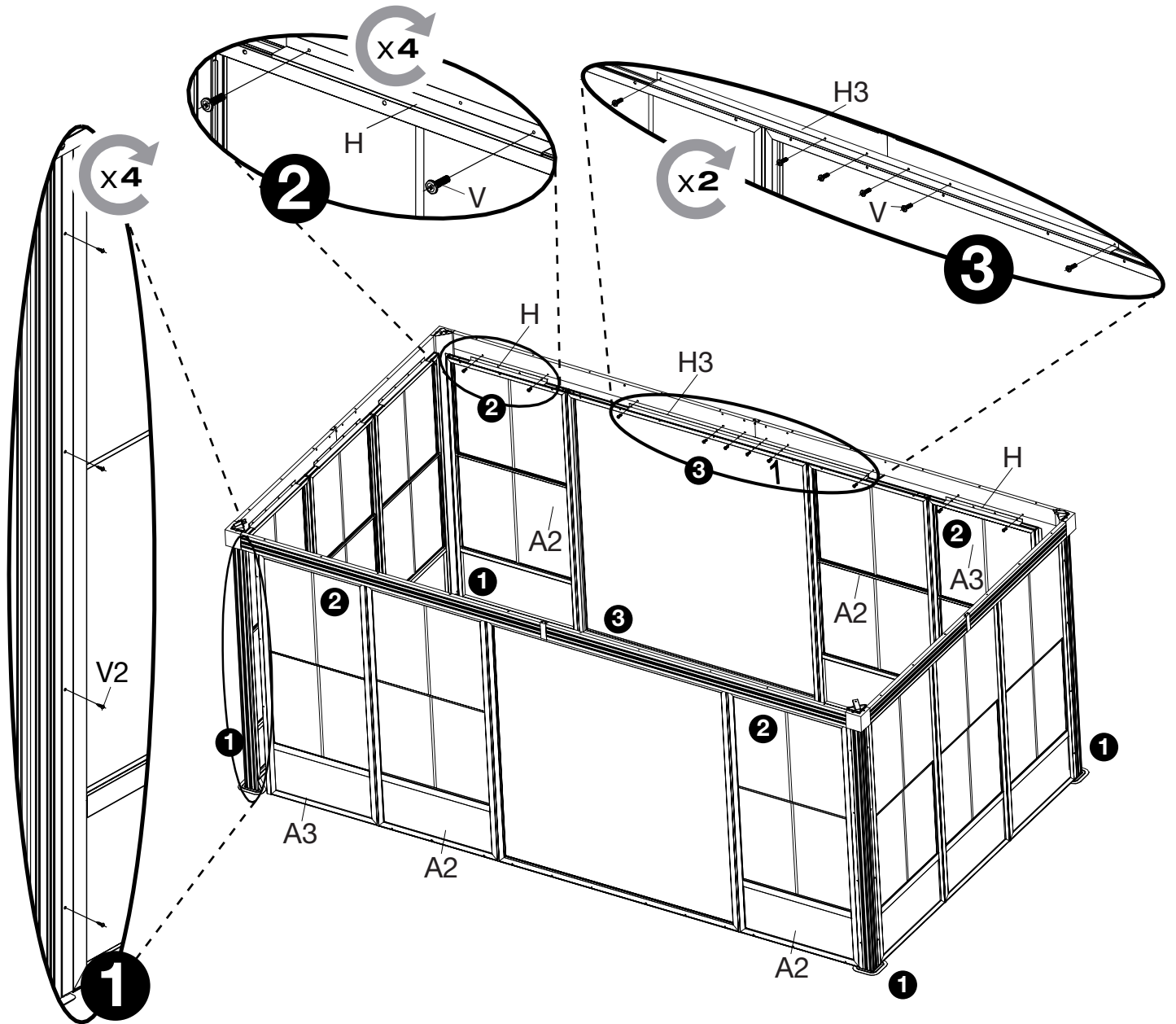
Vx16



V2x16

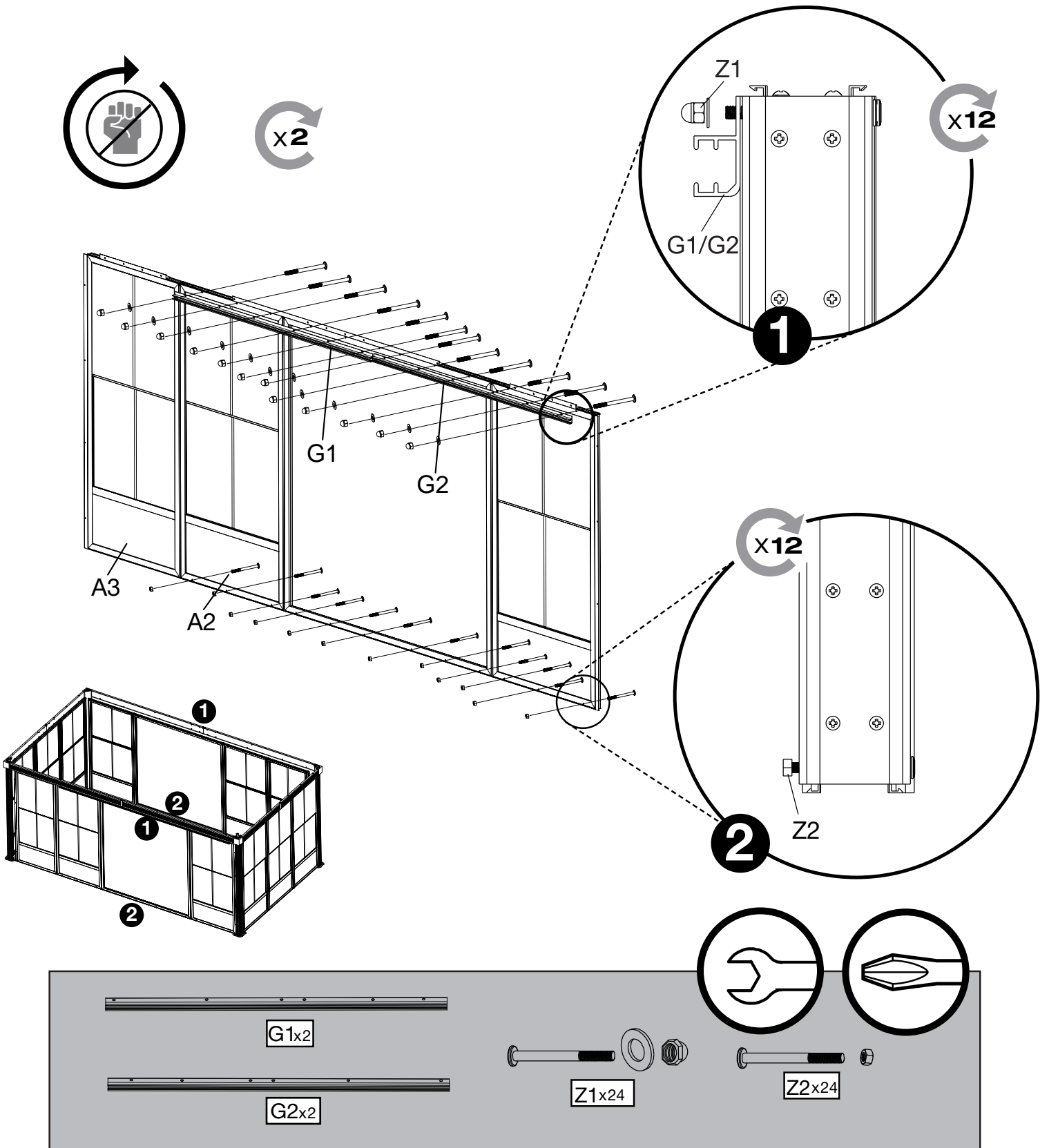


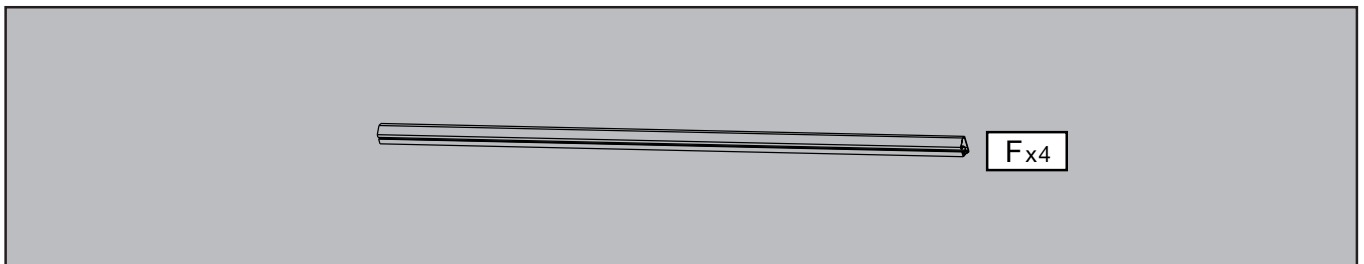
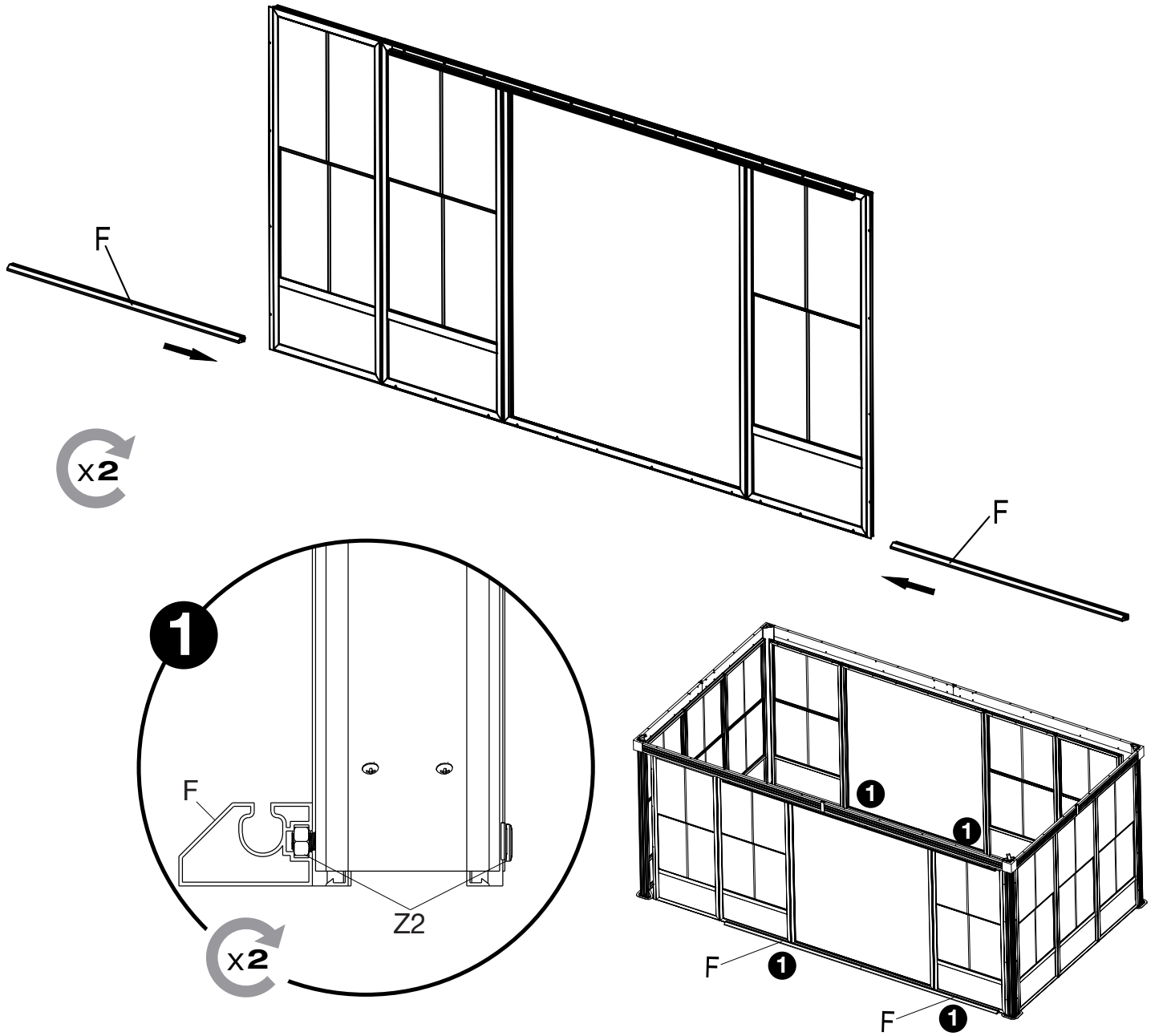


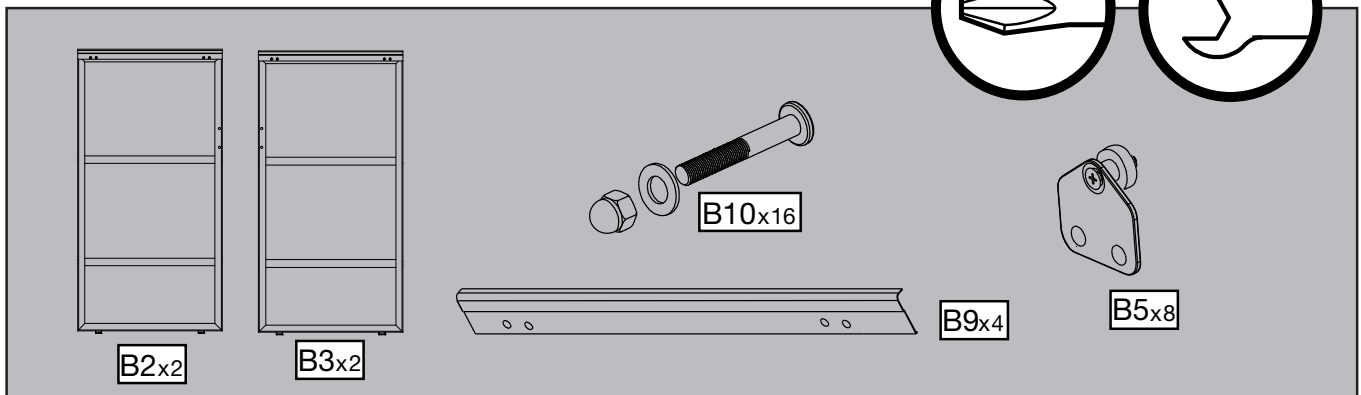
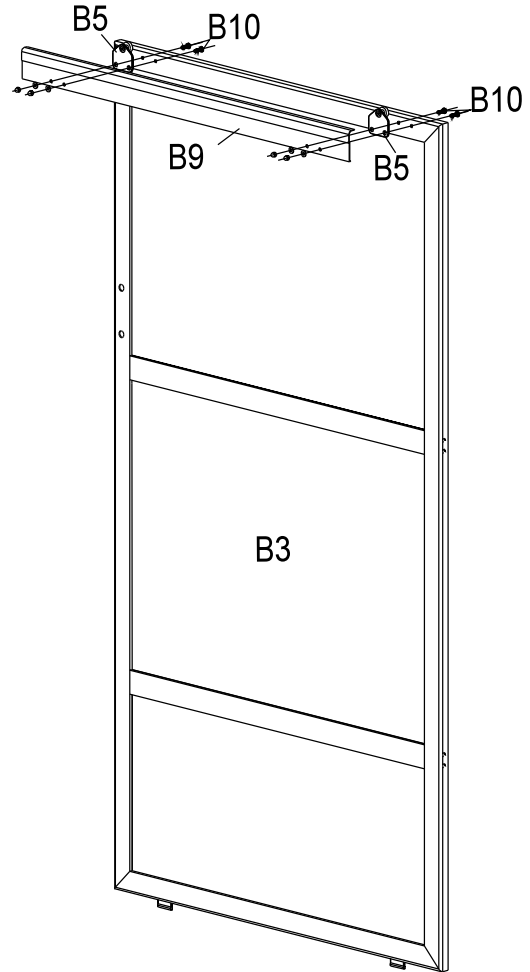
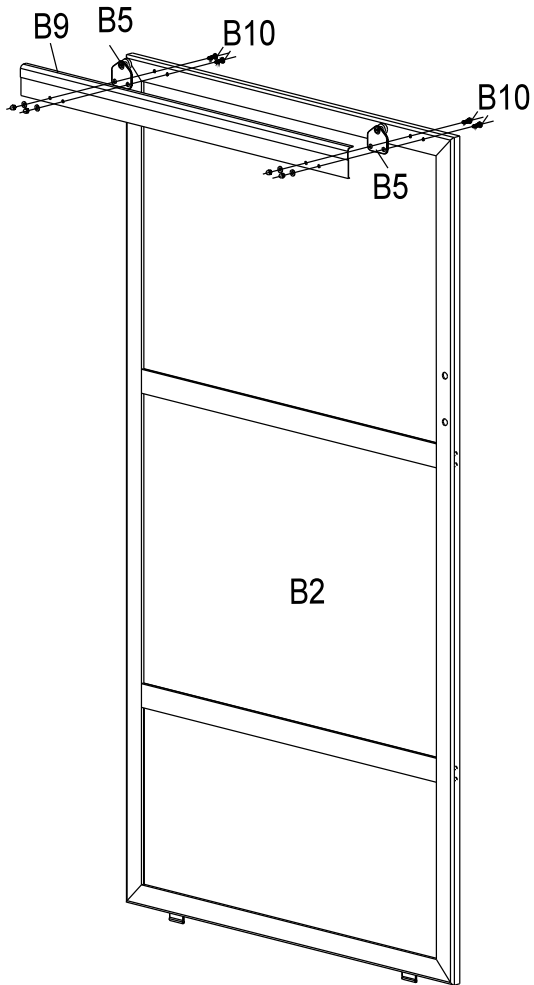


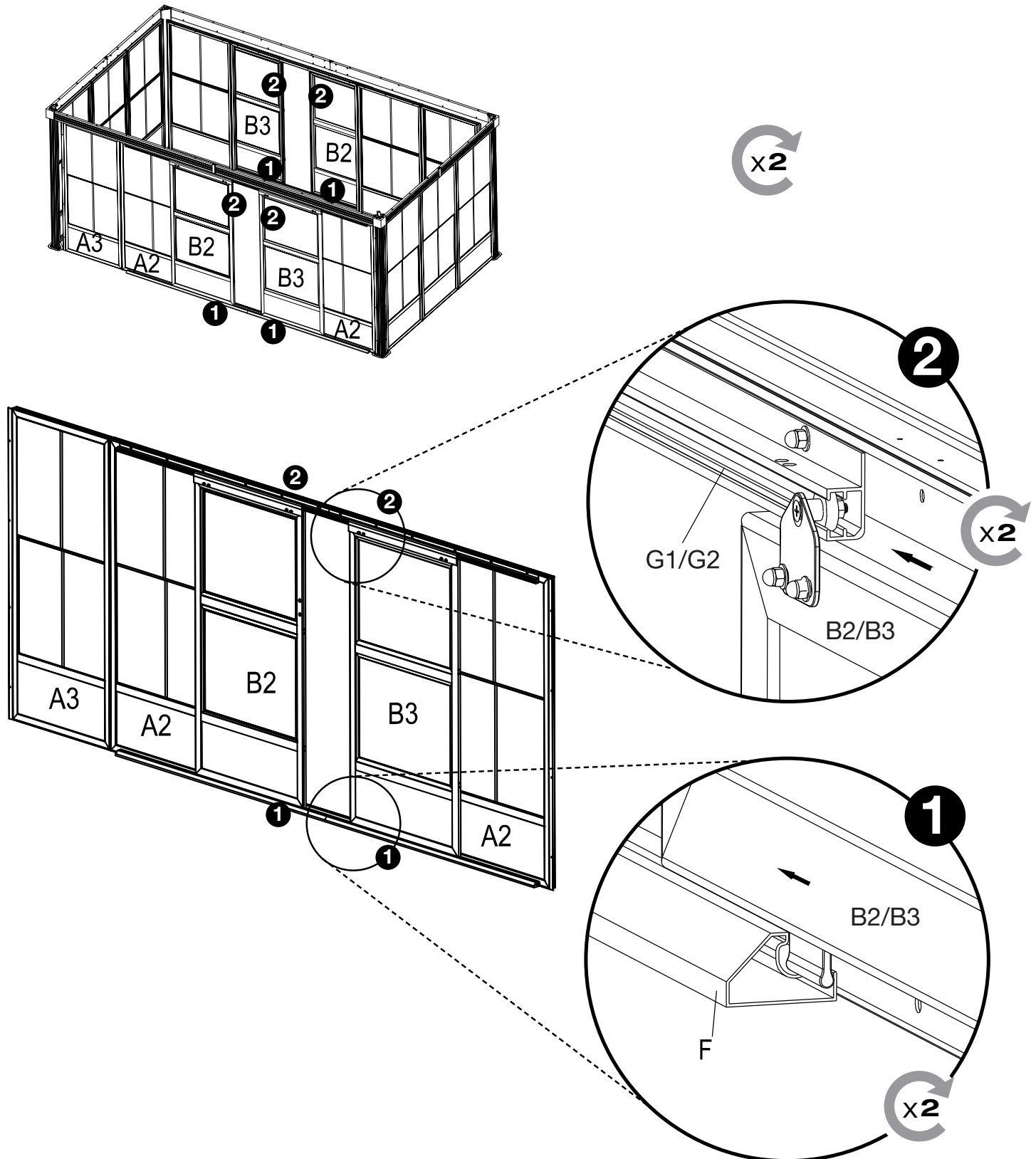
Hardware and tool icons:

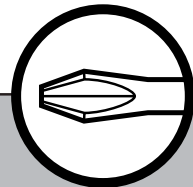
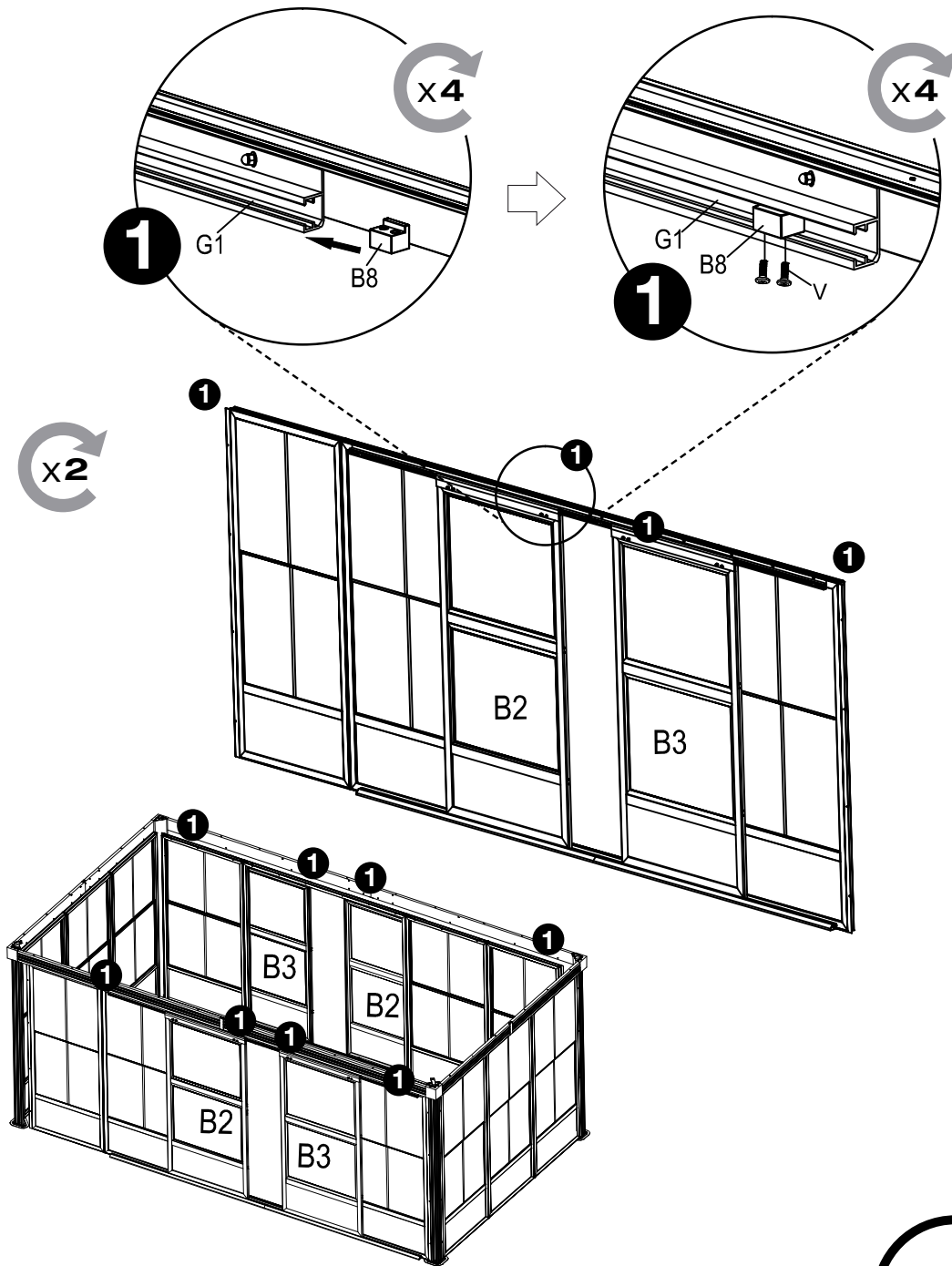
- Vx20** (Screw)
- V2x16** (Screw)
- Screwdriver tip icon

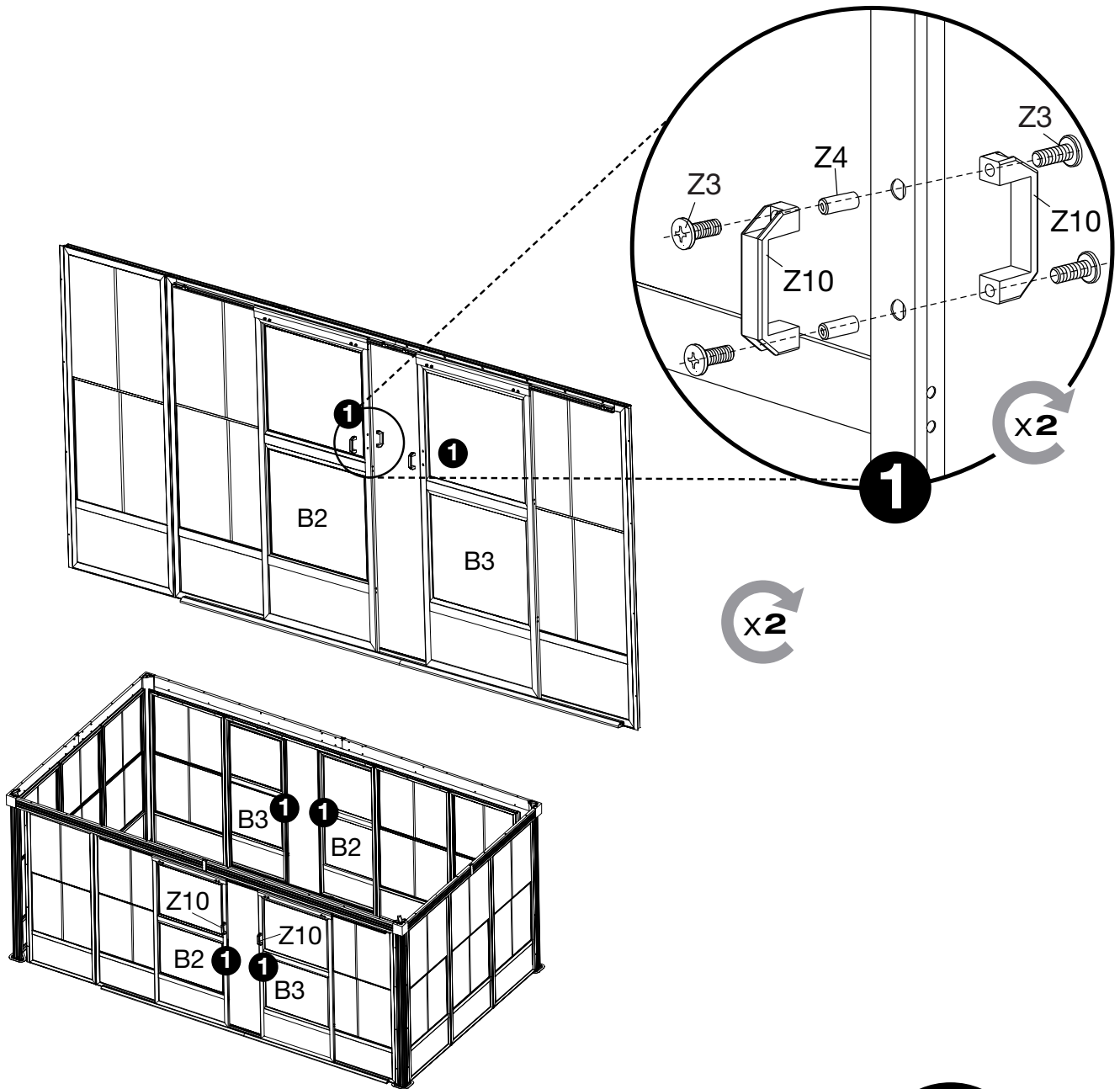








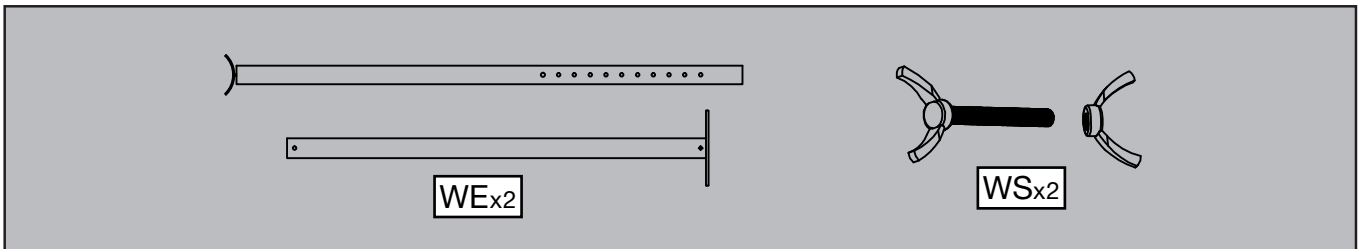
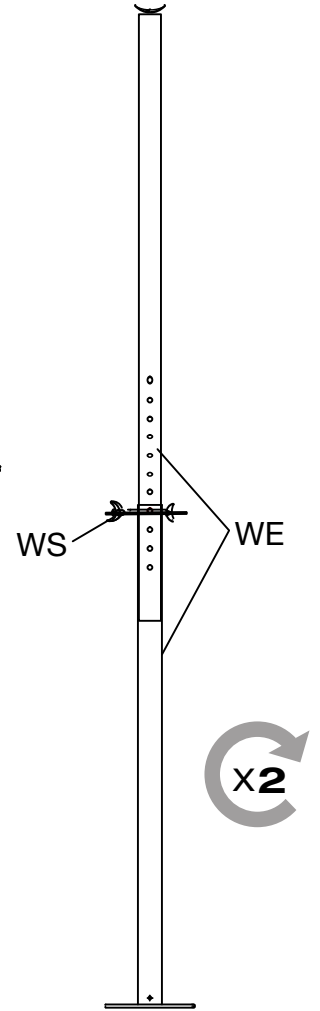
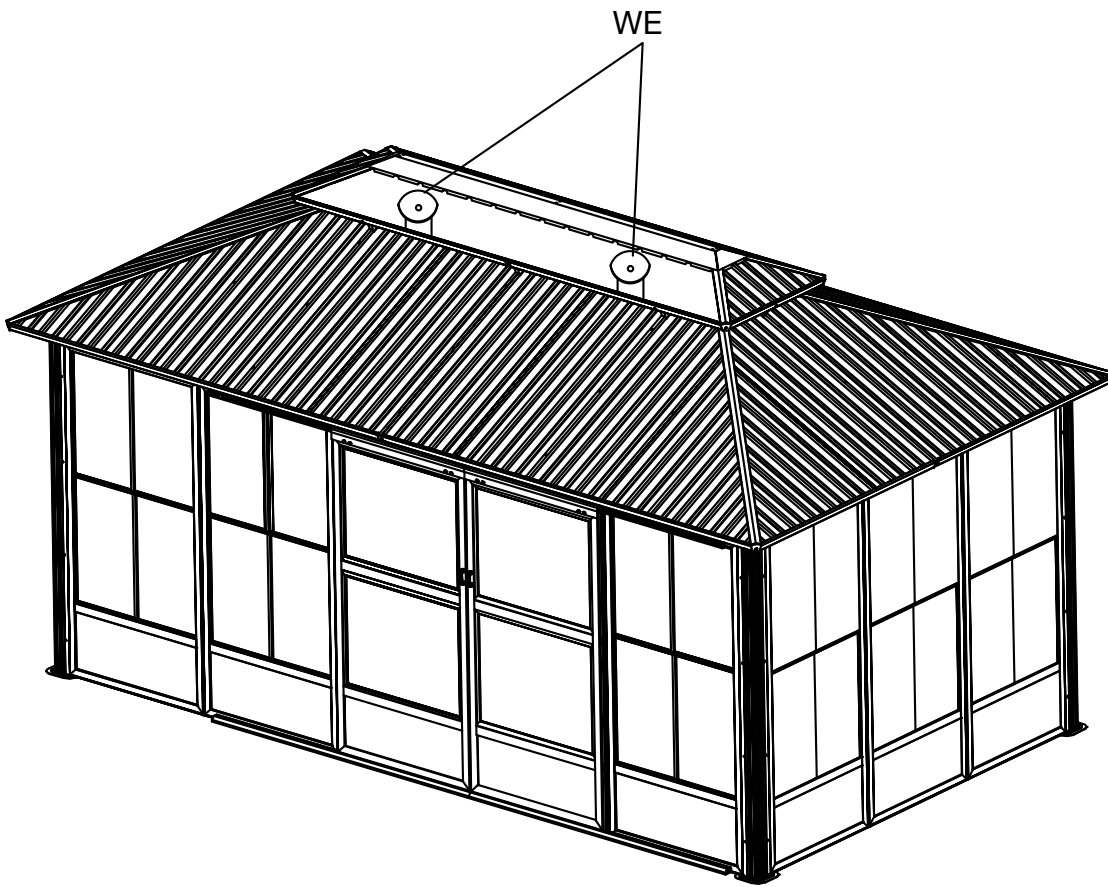




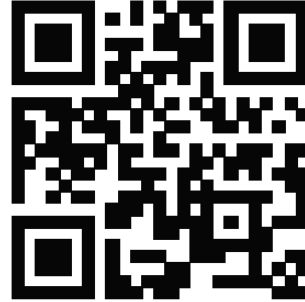
A parts list and tool icon are provided at the bottom of the page. The parts list includes:

- A screw labeled **Z3x16**.
- A roller labeled **Z4x8**.
- A bracket labeled **Z10x8**.

To the right of the parts list is a circular icon containing a drawing of a screwdriver tip.



Register • Enregistrer • Regístrate
온라인 등록 • Registrieren



ShelterLogic.com/product-registration

50NRTH GmbH
Straßburgstraße 14-16
Germany 54516 Wittlich
phone +49 (0) 6571 / 95 117- 0
Fax +49 (0) 6571 / 95 117- 98
[www. 50NRTH.com](http://www.50NRTH.com)
info@50NRTH.com



SOJAG ■ I