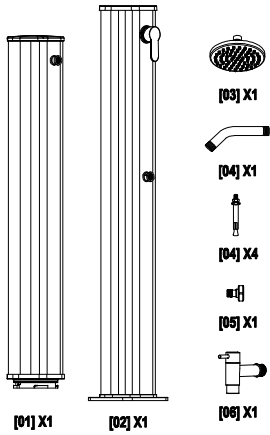
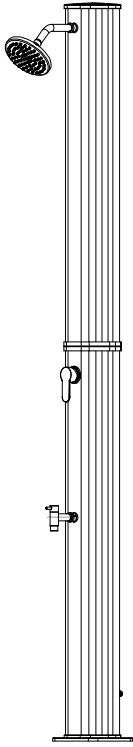


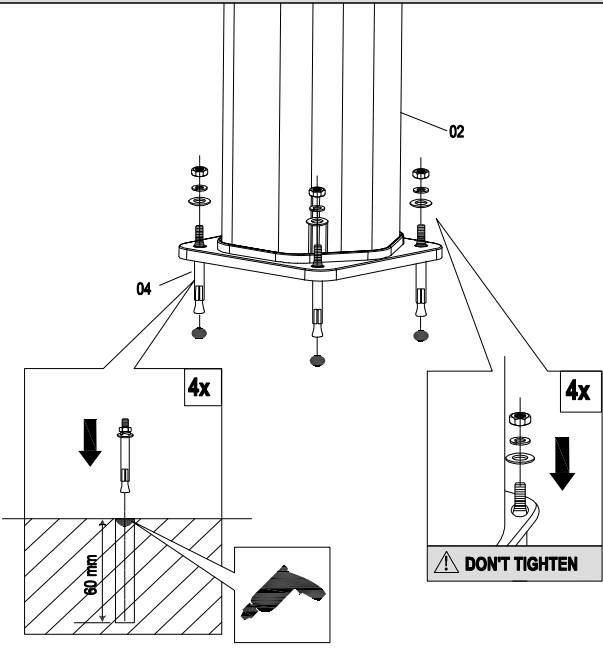
D35S



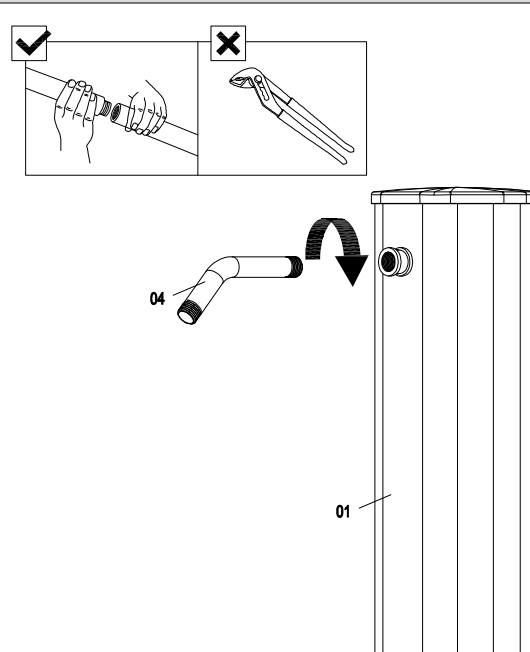
You will need:



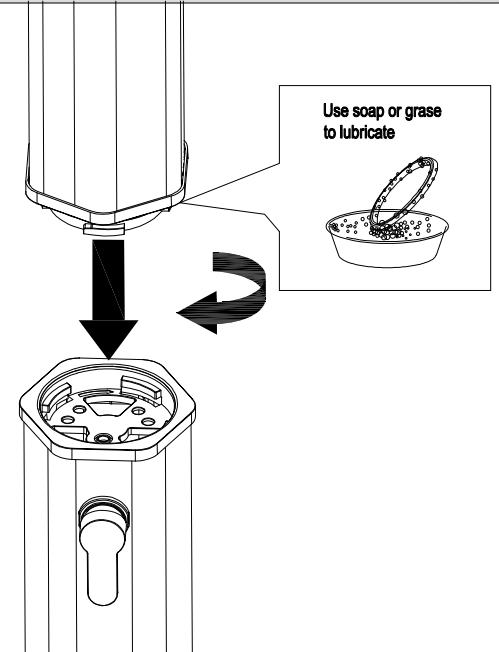
01



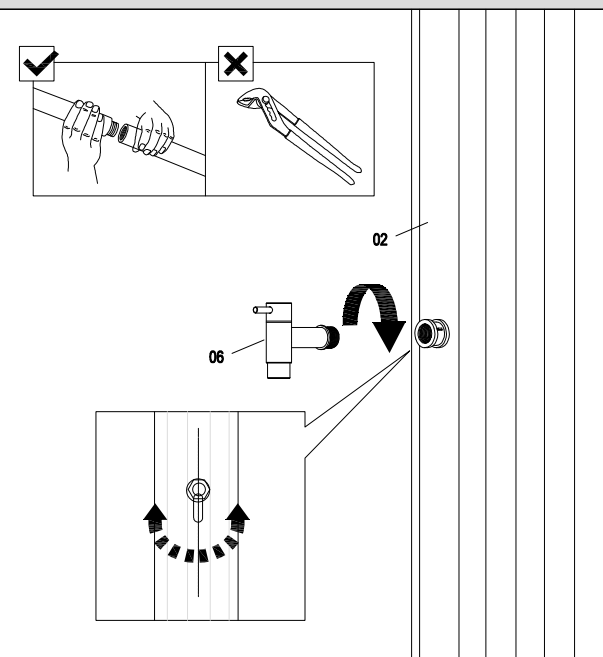
03



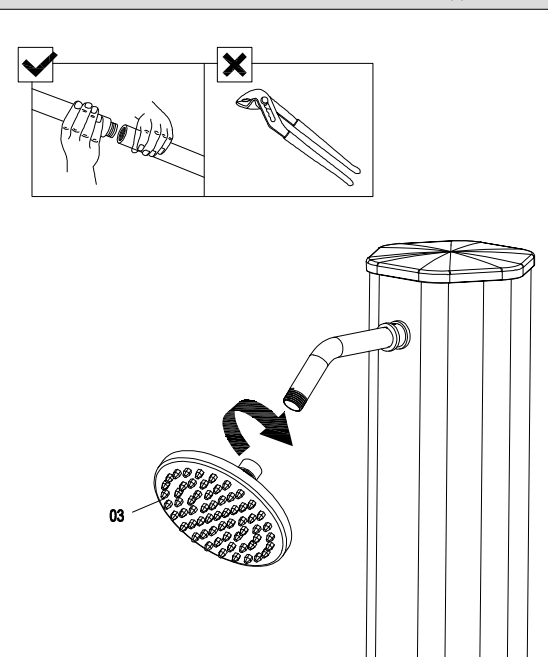
05



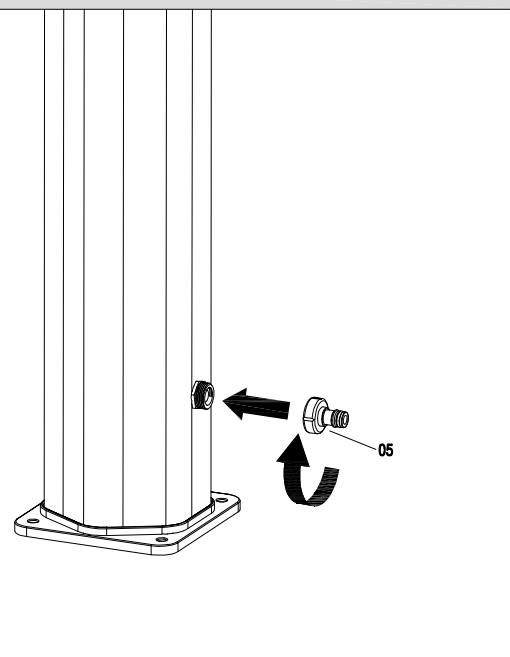
02



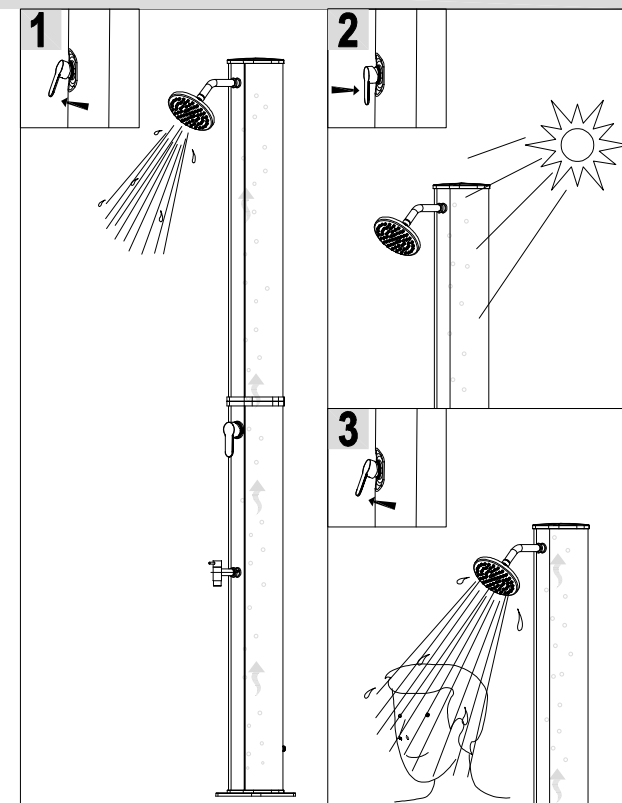
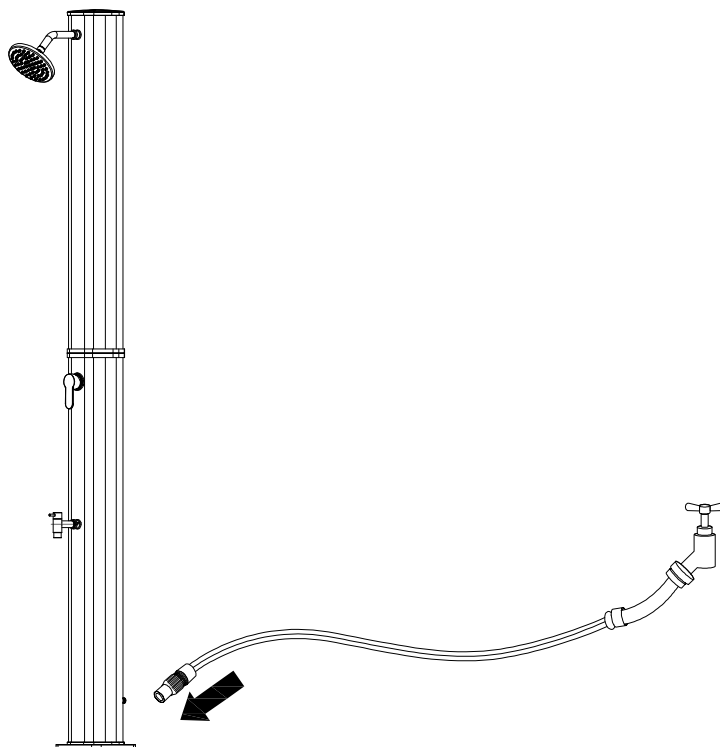
04



06



● IMPORTANT-KEEP FOR FURTHER CONSULTATION. READ CAREFULLY.



EN

We recommend installation of the Outdoor Solar Shower to a solid surface to insure stability and safety. When using tools, care must be taken not to damage chrome plating. We recommend using a cloth between wrench and shower parts to avoid damage.

MOUNTING THE SOLAR SHOWER: CONCRETE/MASONRY INSTALLATION ONLY

1. Choose a location for shower that receives the most direct sunlight.
2. Use the base plate/PVC tube to mark the position of the mounting holes to be drilled into concrete/masonry for bolts.
3. Remove shower section. Drill 8 mm diameter holes, 50mm (1.77") deep, using the marks just created.
4. Insert expansion nuts into drilled holes. Place the bolt inside the expansion nut and TAP with a hammer to slightly expand the nut.
5. Remove bolt and place the base plate/lower tube over the holes and secure to surface with bolts and washers provided.

NOTE: Base plate will appear loose until shower is fully secured to the surface.
DUE TO THE SOLAR RADIATION THE WATER IN THE SOLAR TANK CAN GET HOT. WE RECOMMEND OPENING THE HANDLE IN THE MIDDLE POSITION BETWEEN HOT AND COLD, THEN SETTING TO DESIRED TEMPERATURE.

IF SHOWER HAS NOT BEEN USED FOR MORE THAN THREE DAYS, WE RECOMMEND RUNNING SOLAR SHOWER FOR 2 MINUTES TO REMOVE STAGNANT WATER. STAGNANT WATER IN A WARM ENVIRONMENT CAN PROVIDE A GROWTH ENVIRONMENT FOR HAZARDOUS BACTERIA.

Using the shower

The Solar shower is equipped with a mixing valve, where the first cold water and then hot water is flowing. The valve must not be over tightened, since this may be damaged irreparable.

Connect the water hose to the shower and let the water warm up by the sun. (12 to 24 hours, depending on the ambient temperature and solar radiation). Once the water is hot, open the valve until the desired temperature is reached.

To fill the solar tank, turn the valve to hot and wait until the shower is completely filled. Once filled, close the valve and let the warm water warm up for several hours.

When the water drips furthermore with a closed mixer, it is possible that the water pressure is too high. Reduce this by fitting in a pressure regulator.

OFF SEASON DISASSEMBLY & STORAGE:

DURING THE WINTER THE WATER HAS TO BE REMOVED FROM THE SOLAR SHOWER COMPLETELY. FURTHERMORE THE SOLAR SHOWER HAS TO BE KNOCKED DOWN IN WINTER AND STORED IN A DRY PLACE. FAILURE TO FOLLOW THESE INSTRUCTIONS MAY CAUSE FROST DAMAGE ON MATERIAL. FROST DAMAGE WILL NOT BE RECOGNIZED AS A CLAIM.

1. Turn off and disconnect garden hose.
2. Open handle and allow shower to drain (approximately 2 minutes).
3. Turn lock nut COUNTER CLOCKWISE to unthread, and pull stainless steel pipe apart.
4. Unbolt shower PVC tube and pour remaining water out of unit.
5. Wipe down and store shower parts for next season.

DO NOT USE SALT OR ANTI-FREEZE IN WATER TO PREVENT FREEZING. THIS WILL VOID THE PRODUCT WARRANTY.

Keep this manual. Please include the manual with the product upon transfer of ownership.