

BATTERY POWERED POOL FLOOR CLEANER

HJ1103J

For SWIMMING POOL OF FLAT FLOOR



USER MANUAL

Subject to update by manufacturer without prior notice

⚠ Important Precautions

- 1.** Strictly prohibit using the cleaner beyond its operating conditions. Please read the manual carefully, and use it according to the manual. We have no responsibility for any loss or injury caused by improper use.
- 2.** Use the accessories recommended or sold by the manufacturer only.
- 3.** This model mainly applies to swimming pools with flat floor.
- 4.** The cleaner should not be used by children under the age of 8 or people with mental disorders. Please do so under the supervision of the guardian if necessary. Please do not allow children to ride on it or play as a toy.
- 5.** Use the original and authorized adapter only.
- 6.** It must be replaced by the after-sale professionals if the power line is damaged.
- 7.** Do not power on the cleaner when it is outside of the water.
- 8.** The power line must be connected to a leakage protective and earthed socket when charging.
- 9.** Do not operate the cleaner when there are people in the pool.
- 10.** Always clean and wash the filter tray after use.
- 11.** Power off the cleaner when maintaining, cleaning or not using it.
- 12.** The cleaner should be stored in a cool and ventilated place, away from direct sunshine.
- 13.** Charge the battery under the permitted condition. The cleaner should be stored in a cool place when charging, meanwhile do not place or be covered with anything to prevent the damage of internal electrical components caused by overheating of the power unit.
- 14.** Only professionals can disassemble the sealing drive assembly of the cleaner.
- 15.** Close the pool filtration system before use.
- 16.** Slightly water pollution might occur in case grease in motor oil seal leaks.
- 17.** The cleaner is only suitable for small pools limited by battery capacity; otherwise it will

affect the cleaning effect.

18. The cleaner should be charged every three months if it needs to be stored for a long time. Please use the original and authorized adapter only to ensure that the battery power is maintained at 40%-60%. The battery voltage will be lower than the over-discharge protection voltage due to the self-discharge of battery if not charging the battery for a long time, which will lead to fatal damage to the battery if continuing too long. Please be careful.

19. Prohibit charging the battery under the condition of fire or extreme heat. Do not use or store the cleaner near the heat source.

20. Prohibit piercing the cleaner shell with nails or other sharp objects, and prohibit hammering, impacting and throwing the cleaner.

Contents

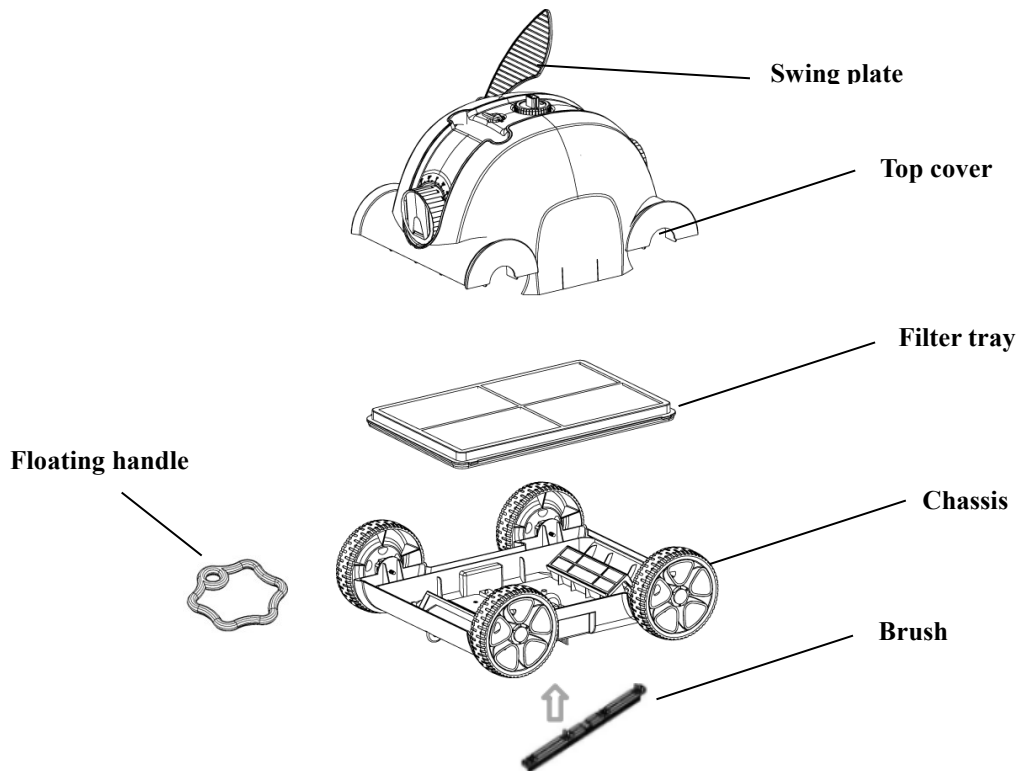
I. Introduction	1
II. Appearance characteristics & structure	1
III. Specifications.....	1
IV. Operation instruction	2
V. Trouble Shooting	11
VI. Packing list.....	12
VII. Warranty	12

I. Introduction

The robotic pool cleaner HJ1103J is a new type of rechargeable automatic cleaning equipment for pools with the function of automatic beaching.

Please read the manual carefully before use so that you can use it correctly.

II. Appearance characteristics & structure



III. Specifications

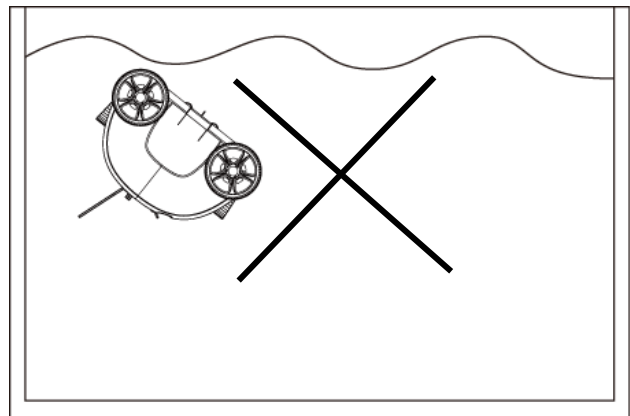
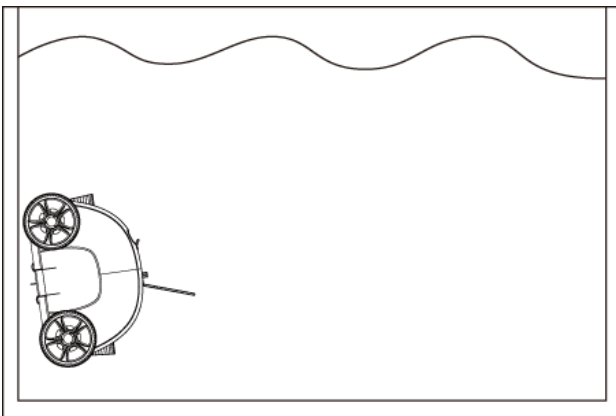
1. Working voltage: 12.6V
2. Power: 50W
3. Working cycle: 60 min
4. Rated input voltage of adapter: 100Vac-240Vac
5. Input power of adapter: 47Hz-63Hz
6. Rated output current of adapter: 1.8A
- 7.. Charging time: 3-4h
8. Battery capacity: 5000mAh

9. Max. cleaning surface: 80 m²
10. Filter capacity: 10m³/h
11. Filter capability: 180µm
12. Pool water temperature: 10°C-35°C
13. Moving speed: appr. 16m/min
14. IP Grade: IPX8
15. Charging environment temperature: 0°C-45°C
16. Max. water depth: 2.0m
17. Size: 400(L)*360 (W) *270 (H) mm
18. Weight: 5.5kg
19. Storage condition:
 - Short term (less than 1 month): -20°C-60°C, ≤75%RH
 - Medium term (less than 3 months): -20°C-45°C, ≤75%RH
 - Long term (more than 3 months): -20°C-20°C, ≤75%RH
20. Swimming pool slope: max. 15°

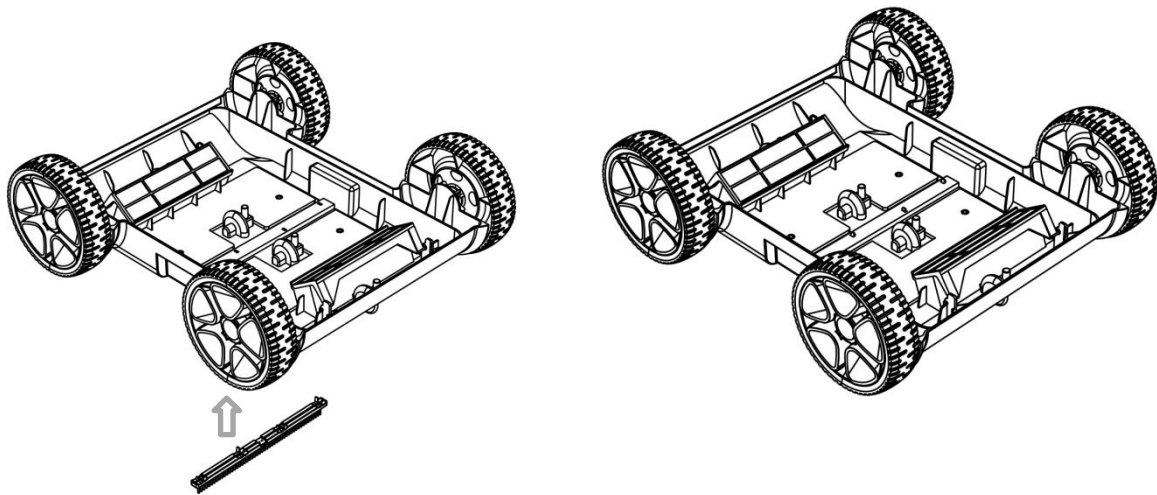
IV. Operation instruction

1. Precautions

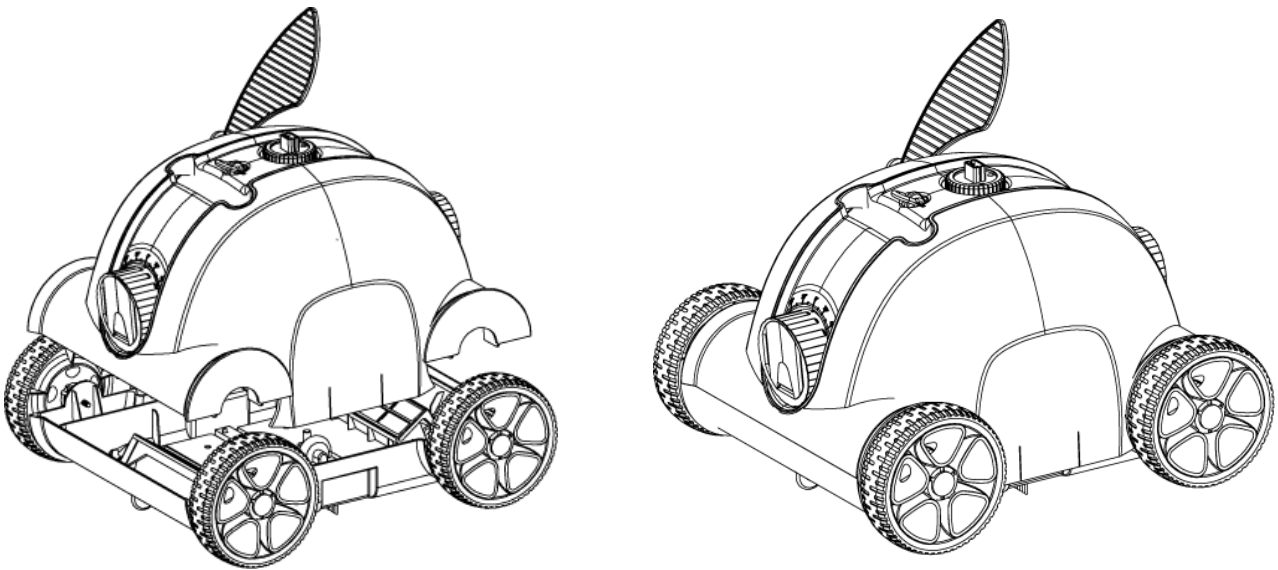
- a. Put into or lift out from pool with the cleaner bottom toward the wall to avoid any possible scratch to the pool.



b. Install the brush before use to avoid possible dirt leaks.



c. Please ensure that top cover of the cleaner is tightly assembled with its chassis.



d. Power off the cleaner after use.

e. Do not touch the wall to avoid scratching the wall or damaging the cleaner when putting into or lift out from pool.

f. It is necessary to stay on the water surface for 10-15 seconds until water flows out from the cleaner to the pool before being placed on the ground.

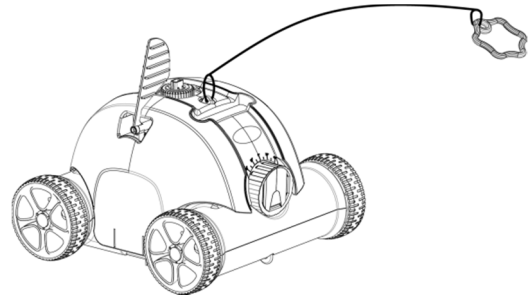
g. Lift the handle or clips of the cleaner out from the pool.

2. Quick operation

a. Install the floating handle

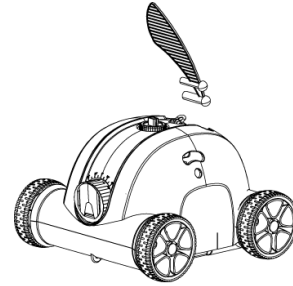
*Adjust the tow rope according to the swimming pool depth.

*Tie the floating handle to the cleaner
In the place indicated in the fig.



b. Install the swing plate

Insert the swing plate in the place
Indicated in the fig.



c. Connect the cleaner and home power with adapter and charging line to charge the battery.

* Clean the charging port before charging.

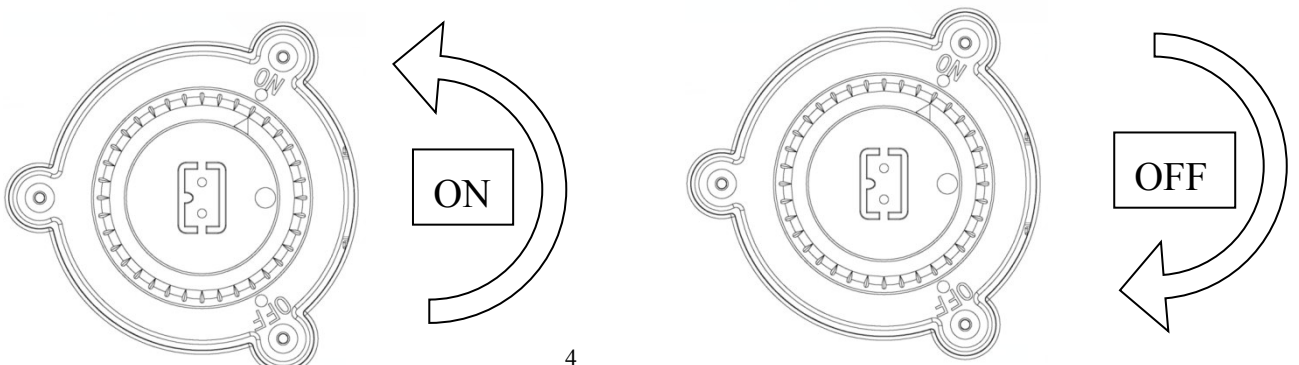
* Red charging indicator light indicates the battery is charging.

* Green charging indicator light indicates charging is finished.

* Turn the switch knob to OFF before charging.

Adaptor indicator	Statut
Red	Charging
Green	Charging finished

d. Turn the switch knob to ON after putting it into water then the cleaner is power-on and the indicator light is steady blue. The cleaner begins to work about 15 seconds later while the blue light flashes.



e. The blue light flashes three times after completing the working cycle and then the cleaner stops to run about 2 minutes later while the indicator light is steady blue.

Statut	Cleaner indicator
Working	Indicator blue flashes
Work finished	Indicator blue steady
Fault	Indicator blue flashes quickly

f. Power-off operation: turn the switch knob to OFF and the blue light turns off, while the cleaner is power-off. Please timely clean the filter tray after use.

3. Functions and adjustment of nozzles

There are two nozzles on the cleaner, one of them opens once the other closes. Water flows out through the open nozzle to thrust the cleaner to move forward. Adjust the nozzle by turning it to control the moving route.

a. Settings of nozzle angle and moving route

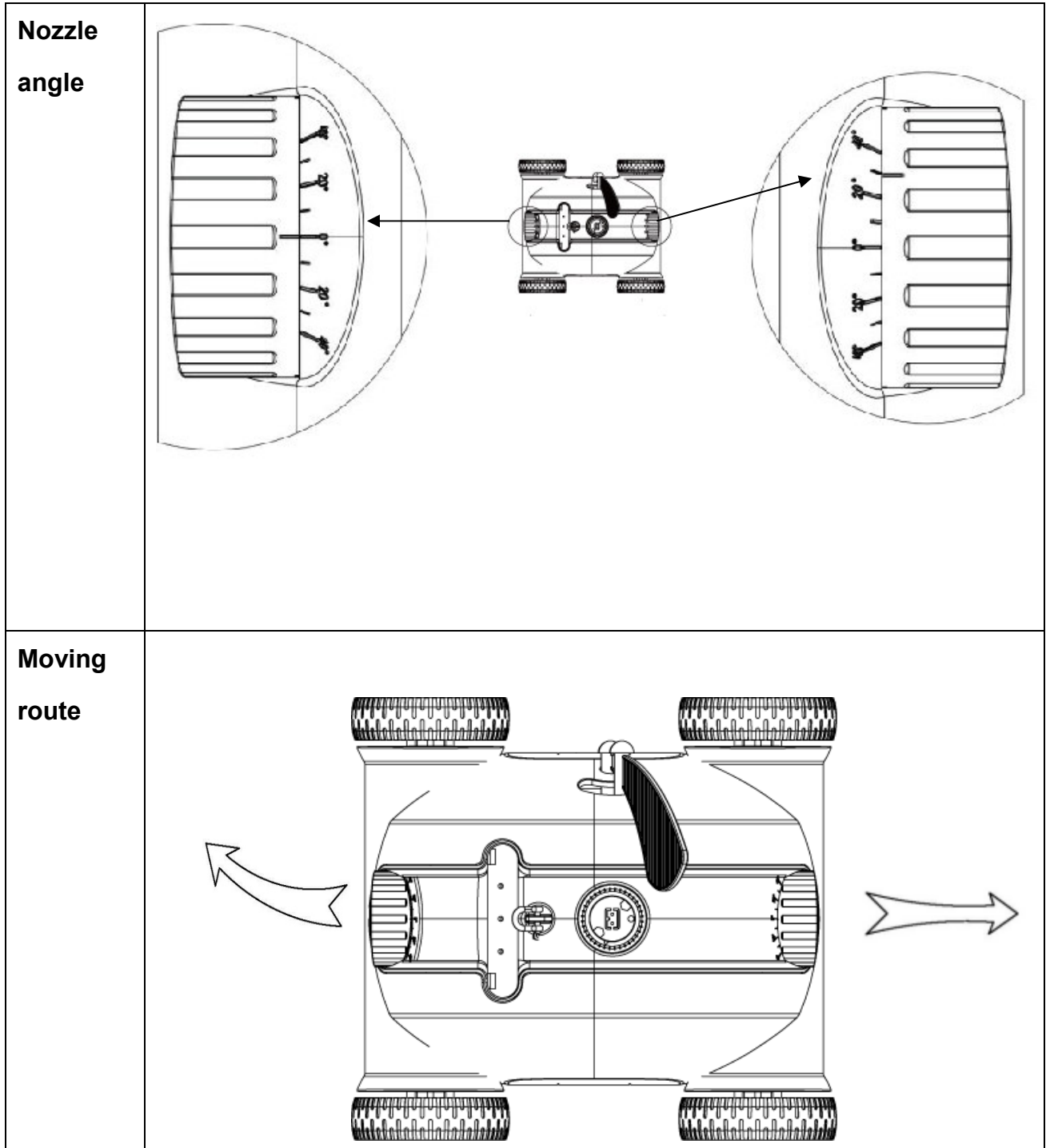
Sketch: the nozzles of the cleaner are marked with angles (0° — 40°).

The cleaner moves in an approximately straight line when the nozzle angle is 0° .

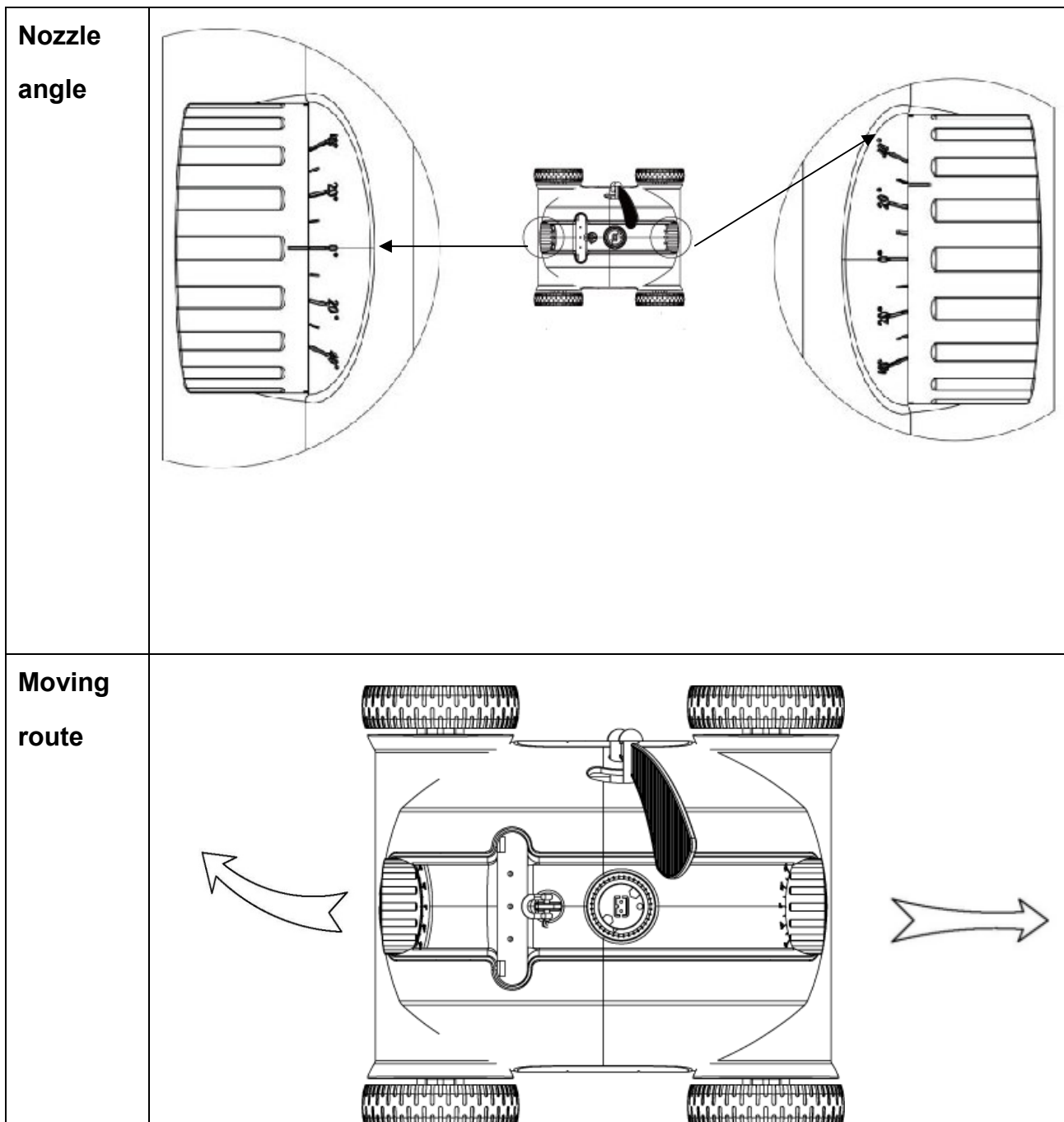
The cleaner moves in a more curved line at a larger angle from 0° - 40° .

b. Recommended three CYCLES and nozzle settings

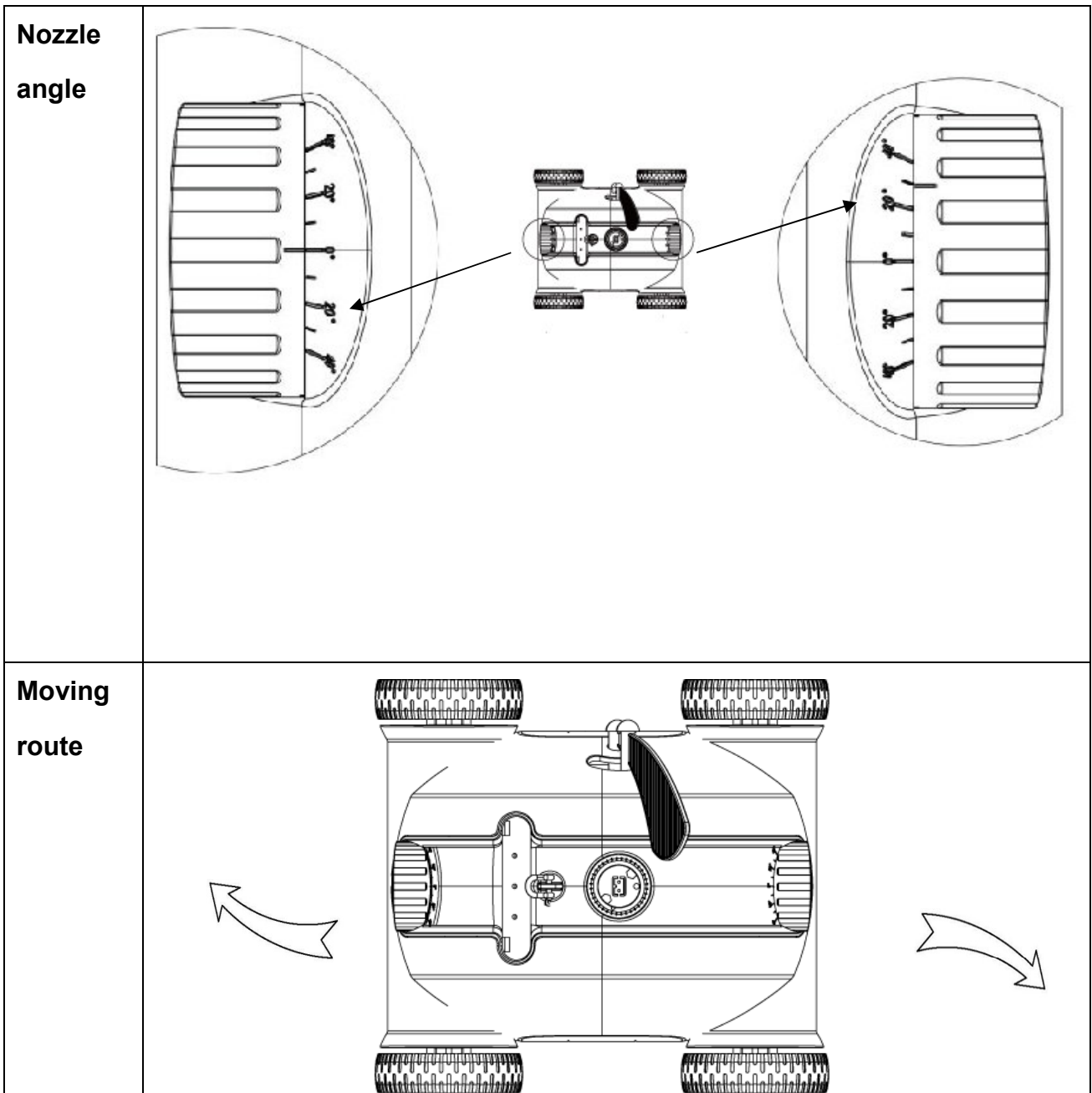
Setting One: default setting: 0°—20°, for most of pools.



Setting Two: 0°—40°, when the cleaner does not have a full coverage of pool.



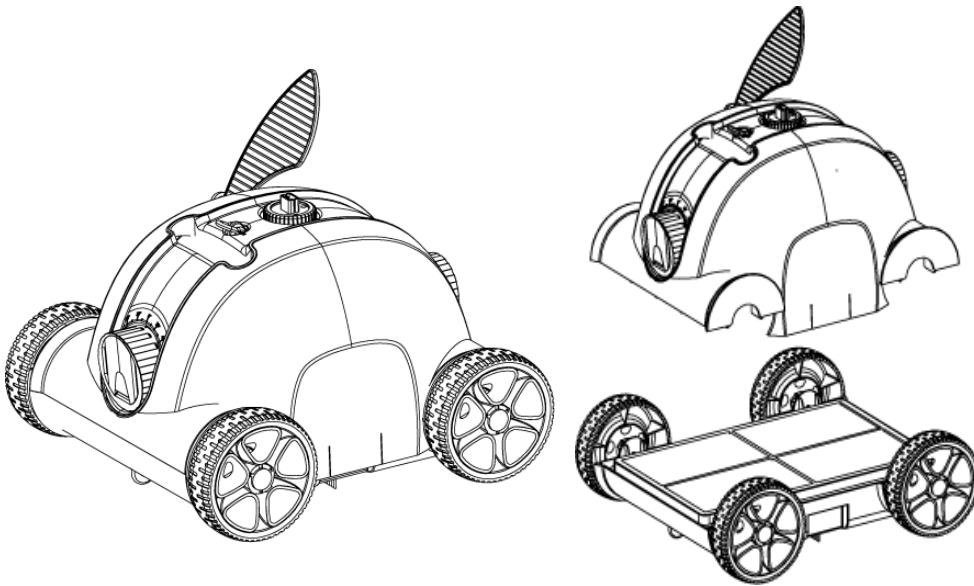
Setting Three : 20°——20°, for round pools.



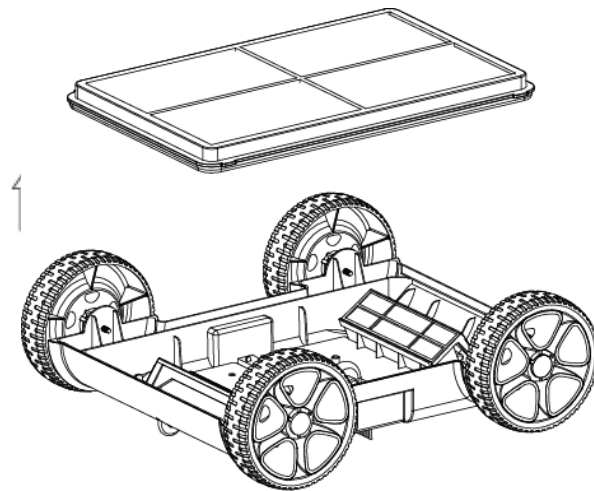
Note: above are recommended settings and different settings might apply to specific pools. So the operator can set according to the principle of nozzle settings and the actual situation of the pool.

4. Clean the filter tray

a. Open the cleaner by clips



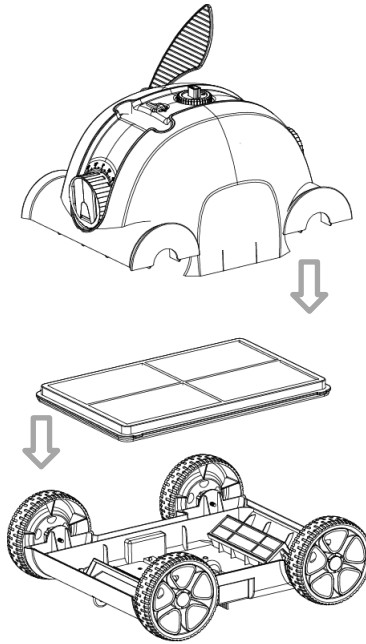
b. Take off the filter tray



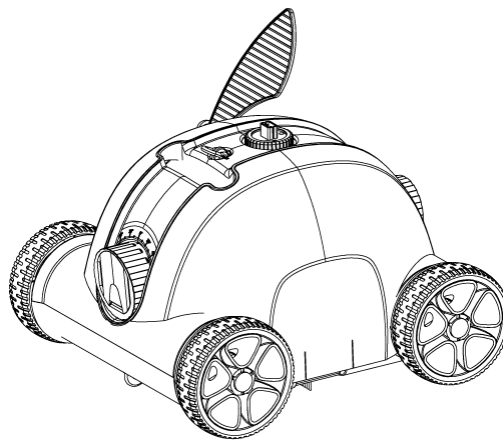
c. Clean the filter tray and chassis



d. Reassemble the cleaner

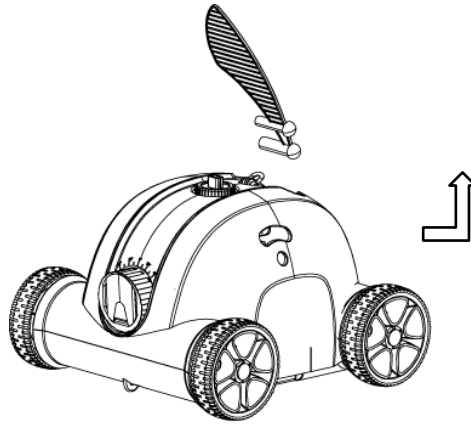


e. Push the clips on



5. Installation and removal of swing plate

The swing plate can be removed by poking the base buckle upwards and installed by inserting it into the base.



V. Trouble shooting

Symptom	Possible reason	Solution
The cleaner does not work and the indicator light slowly flashes.	Low remaining battery capacity	Charge the battery
The cleaner does not work and the indicator light rapidly flashes.	Internal fault	Contact after-sale service
The cleaner does not work and the indicator light does not work.	Battery protection	Charge the battery and power on the cleaner to watch whether the indicator light is on. If not, contact after-sale service.
The adapter indicator light does not work.	Adapter damage	Contact after-sale service
The cleaner does not have a full coverage of pool.	Unsuitable nozzle angle	Adjust nozzle angle
	Special pool shape	Adjust nozzle to increase angle of deflection
	Pool water filtration system is open.	Turn off water filtration system

VI. Packing list

Item	Name	Model	QTY(pc)	Application	Remark
1	Cleaner body	HJ1103J	1		In carton
2	Adapter	XSG1261800	1		In carton
3	User manual & certificate		1		In plastic bag
4	Brush		1		In plastic bag
5	Tow rope		1		In plastic bag
6	Floating handle		1		In plastic bag

VII Warranty

This product has gone through various quality and safety tests carried out by the technical department of the factory.

Warranty Information:

1. The warranty period is 24 months of use on the motors and electrical parts from the date of purchase and established under the terms of the Consumer Code and the legal guarantee against hidden defects and vices in any case applies in the conditions of the articles in the country of purchase.
2. The warranty is void if the product is handled or repaired by foreign nonqualified person in unauthorized repair services.
3. Broken parts are not covered by the warranty.
4. The warranty only covers factory defects, it does not cover damage caused by misuse of the article.

5. Any claim made or repair made during the warranty period will be subject to mandatory presentation of the invoice.